



IN THE LINE OF POWER



# Catalog

## Measurement and Communication



Measurement and  
Communication

## Energy Efficiency through Metering and Control

In addition to a complete range of current transformers, EFEN offers various special-purpose transformers for the ideal integration into smart distribution systems. In addition to this, the current transformer range is complemented by monitoring functions for power distribution components.



**Window-type current transformers and tube-type current transformers**

Comprehensive portfolio of window-type current transformers for primary currents up to 5000 Amps as well as tube-type current transformers up to 600 Amps for line metering or vertical design NH fuse-switches. Also available in PTB-compliant variants for billing purposes.

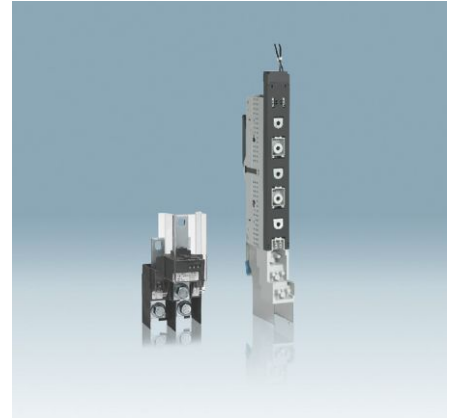
**Product overview page 280**



**Special-purpose current transformers**

Wound-primary current transformers for higher classes and powers, summation current transformers for up to 10 window-type current transformers as well as transformers for NH fuse-links complement EFEN's comprehensive range for special applications.

**Product overview page 301**



**Transformer blocks for E<sup>3</sup> vertical design NH Fuse-Switches**

Comfortable and time-saving integration of current transformers into E<sup>3</sup> vertical-design NH fuse-switches. From rear-side installation in fuse-switches of size 00 to the compact design for the terminal space of fuse-switches of size 1 to 3.

**Product overview page 330**



**Fuse-Monitoring**

Integrated solutions by EFEN for remote signaling of the operating status of fuse-links for NH fuse-switches of vertical and horizontal design.

**Product overview page 336**



**Metering devices**

In addition to power metering, harmonics analysis and visualization, the multi-measurement devices are ment to save measured data. These are transmitted to superordinate power management systems via optional interface modules.

**Product overview page 360**



Measurement and  
Communication

## Low-Voltage Current Transformers

In addition to a complete range of current transformers for rated current of up to 5,000 A, EFEN also offers numerous special-purpose transformers. These were designed to be integrated perfectly into any smart distribution system.

### System

The comprehensive ranges comprise window-type current transformers, tube-type current transformers, wound-primary current transformers, summary current transformers, current transformer kits and transformer blocks.

### Features

The EFEN product portfolio is characterized by high material quality and a wide range of accessories.



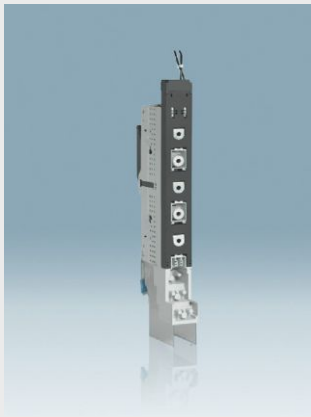
## Low-Voltage Current Transformers

Window-type current transformers PSA series	page 280
Tube-type current transformers PSR series	page 296
Wound-primary current transformers PSW series	page 301
Summation current transformers PSS series	page 303
Window-type current transformers EPSA series for billing purposes	page 305
Accessories for window-type current transformers and tube-type current transformers	page 319
Technical data	page 320
Current transformers for NH Fuse-Switches	page 330
Technical data	page 332

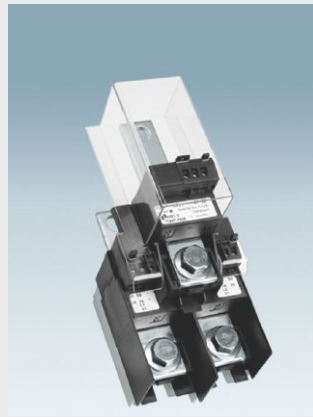
**Window-type current transformer PSA 113**  
also PTB-compliant



**E<sup>3</sup> Current transformer block**  
for vertical-design NH fuse-switches  
size 1 - 3



**E<sup>3</sup> current transformer block**  
PTB-compliant variant, sizes 00,  
for terminal space



**Tube-type current transformer PSR 253**



**Special-purpose current transformers**  
Wound-primary current transformers, summary current  
transformers and transformers for NH fuse-links



## Window-type current transformers

► Technical data, page 323



77101-1122

### PSA 213 window-type current transformer

**Features:**

- Primary busbar 20 x 10 mm, accuracy class 0.5

Primary current	Secondary current	VA	Accuracy class	PU	Product designation	Order no.
75	5	1,5	0,5	3	PSA 213 75/5 1,5 0,5-WA 20X10 60-30	<b>77101-1122</b>
100	5	2,5	0,5	3	PSA 213 100/5 2,5 0,5-WA 20X10 60-30	<b>77101-1332</b>
125	5	5	0,5	3	PSA 213 125/5 5,0 0,5-WA 20X10 60-30	<b>77101-1432</b>
150	5	2,5	0,5	3	PSA 213 150/5 2,5 0,5-WA 20X10 60-30	<b>77101-1532</b>
200	5	5	0,5	3	PSA 213 200/5 5 0,5-WA 20x10 60-30	<b>77101-1642</b>
250	5	5	0,5	3	PSA 213 250/5 5,0 0,5-WA 20X10 60-30	<b>77101-1742</b>
75	1	1,5	0,5	3	PSA 213 75/1 1,5 0,5-WA 20X10 60-30	<b>77101-6122</b>
80	1	1,5	0,5	3	PSA 213 80/1 1,5 0,5-WA 20X10 60-30	<b>77101-6222</b>
100	1	2,5	0,5	3	PSA 213 100/1 2,5 0,5-WA 20X10 60-30	<b>77101-6332</b>



77101-1333

### PSA 213 window-type current transformer

**Features:**

- Primary busbar 20 x 10 mm, accuracy class 1

Primary current	Secondary current	VA	Accuracy class	PU	Product designation	Order no.
50	5	1,5	1	3	PSA 213 50/5 1,5 1-WA 20X10 60-30	<b>77101-0923</b>
60	5	2,5	1	3	PSA 213 60/5 2,5 1-WA 20X10 60-30	<b>77101-1033</b>
75	5	2,5	1	3	PSA 213 75/5 2,5 1-WA 20X10 60-30	<b>77101-1133</b>
80	5	2,5	1	3	PSA 213 80/5 2,5 1-WA 20X10 60-30	<b>77101-1233</b>
100	5	2,5	1	3	PSA 213 100/5 2,5 1-WA 20X10 60-30	<b>77101-1333</b>
125	5	5	1	3	PSA 213 125/5 5,0 1-WA 20X10 60-30	<b>77101-1443</b>
150	5	5	1	3	PSA 213 150/5 5,0 1-WA 20X10 60-30	<b>77101-1543</b>
200	5	5	1	3	PSA 213 200/5 5,0 1-WA 20X10 60-30	<b>77101-1643</b>
200	5	10	1	3	PSA 213 200/5 10 1-WA 20X10 60-30	<b>77101-1663</b>
250	5	5	1	3	PSA 213 250/5 5,0 1-WA 20X10 60-30	<b>77101-1743</b>
250	5	10	1	3	PSA 213 250/5 10 1-WA 20X10 60-30	<b>77101-1763</b>
300	5	10	1	3	PSA 213 300/5 10 1-WA 20X10 60-30	<b>77101-1863</b>
50	1	1,5	1	3	PSA 213 50/1 1,5 1-WA 20X10 60-30	<b>77101-5923</b>
60	1	1,5	1	3	PSA 213 60/1 1,5 1-WA 20X10 60-30	<b>77101-6023</b>
75	1	2,5	1	3	PSA 213 75/1 2,5 1-WA 20X10 60-30	<b>77101-6133</b>
100	1	2,5	1	3	PSA 213 100/1 2,5 1-WA 20X10 60-30	<b>77101-6333</b>
125	1	5	1	3	PSA 213 125/1 5,0 1-WA 20X10 60-30	<b>77101-6443</b>
150	1	5	1	3	PSA 213 150/1 5,0 1-WA 20X10 60-30	<b>77101-6543</b>
200	1	10	1	3	PSA 213 200/1 10 1-WA 20X10 60-30	<b>77101-6663</b>
250	1	10	1	3	PSA 213 250/1 10 1-WA 20X10 60-30	<b>77101-6763</b>
300	1	5	1	3	PSA 213 300/1 5,0 1-WA 20X10 60-30	<b>77101-6843</b>
300	1	10	1	3	PSA 213 300/1 10 1-WA 20X10 60-30	<b>77101-6863</b>



77102-1342

### PSA 215 window-type current transformer

**Features:**

- Primary busbar 20 x 10 mm, accuracy class 0.5

Primary current	Secondary current	VA	Accuracy class	PU	Product designation	Order no.
100	5	5	0,5	3	PSA 215 100/5 5,0 0,5-WA 20X10 60-55	<b>77102-1342</b>
125	5	5	0,5	3	PSA 215 125/5 5 0,5-WA 20x10 60-55	<b>77102-1442</b>
150	5	5	0,5	3	PSA 215 150/5 5 0,5-WA 20X10 60-55	<b>77102-1542</b>
100	1	5	0,5	3	PSA 215 100/1 5 0,5-WA 20X10 60-55	<b>77102-6342</b>
125	1	5	0,5	3	PSA 215 125/1 5 0,5-WA 20X10 60-55	<b>77102-6442</b>
150	1	5	0,5	3	PSA 215 150/1 5 0,5-WA 20X10 60-55	<b>77102-6542</b>

# Window-type current transformers

► Technical data, page 323



77102-0813

## PSA 215 window-type current transformer

### Features:

- Primary busbar 20 x 10 mm, accuracy class 1

Primary current	Secondary current	VA	Accuracy class	PU	Product designation	Order no.
40	5	1	1	3	PSA 215 40/5 1,0 1-WA 20X10 60-55	<b>77102-0813</b>
50	5	2,5	1	3	PSA 215 50/5 2,5 1-WA 20X10 60-55	<b>77102-0933</b>
75	5	5	1	3	PSA 215 75/5 5,0 1-WA 20X10 60-55	<b>77102-1143</b>
80	5	5	1	3	PSA 215 80/5 5,0 1-WA 20X10 60-55	<b>77102-1243</b>
100	5	10	1	3	PSA 215 100/5 10 1-WA 20X10 60-55	<b>77102-1363</b>
125	5	10	1	3	PSA 215 125/5 10 1-WA 20X10 60-55	<b>77102-1463</b>
150	5	10	1	3	PSA 215 150/5 10 1-WA 20X10 60-55	<b>77102-1563</b>
50	1	2,5	1	3	PSA 215 50/1 2,5 1-WA 20X10 60-55	<b>77102-5933</b>
75	1	5	1	3	PSA 215 75/1 5,0 1-WA 20X10 60-55	<b>77102-6143</b>
80	1	5	1	3	PSA 215 80/1 5,0 1-WA 20X10 60-55	<b>77102-6243</b>
100	1	10	1	3	PSA 215 100/1 10 1-WA 20X10 60-55	<b>77102-6363</b>
125	1	10	1	3	PSA 215 125/1 10 1-WA 20X10 60-55	<b>77102-6463</b>
150	1	10	1	3	PSA 215 150/1 10 1-WA 20X10 60-55	<b>77102-6563</b>



77105-1532

## PSA 113 window-type current transformer

### Features:

- Primary busbar 30 x 10 mm, accuracy class 0.5

Primary current	Secondary current	VA	Accuracy class	PU	Product designation	Order no.
150	5	2,5	0,5	3	PSA 113 150/5 2,5 0,5-WA 30X10 50-30	<b>77105-1532</b>
200	5	2,5	0,5	3	PSA 113 200/5 2,5 0,5-WA 30X10 50-30	<b>77105-1632</b>
250	5	2,5	0,5	3	PSA 113 250/5 2,5 0,5-WA 30X10 50-30	<b>77105-1732</b>
300	5	2,5	0,5	3	PSA 113 300/5 2,5 0,5-WA 30X10 50-30	<b>77105-1832</b>
400	5	2,5	0,5	3	PSA 113 400/5 2,5 0,5-WA 30X10 50-30	<b>77105-1932</b>
500	5	2,5	0,5	3	PSA 113 500/5 2,5 0,5-WA 30x10 50-30	<b>77105-2032</b>
600	5	2,5	0,5	3	PSA 113 600/5 2,5 0,5-WA 30X10 50-30	<b>77105-2132</b>
150	1	2,5	0,5	3	PSA 113 150/1 2,5 0,5-WA 30X10 50-30	<b>77105-6532</b>
200	1	2,5	0,5	3	PSA 113 200/1 2,5 0,5-WA 30X10 50-30	<b>77105-6632</b>
250	1	2,5	0,5	3	PSA 113 250/1 2,5 0,5-WA 30X10 50-30	<b>77105-6732</b>
300	1	2,5	0,5	3	PSA 113 300/1 2,5 0,5-WA 30X10 50-30	<b>77105-6832</b>
400	1	2,5	0,5	3	PSA 113 400/1 2,5 0,5-WA 30X10 50-30	<b>77105-6932</b>
500	1	2,5	0,5	3	PSA 113 500/1 2,5 0,5-WA 30X10 50-30	<b>77105-7032</b>



77105-2143

## PSA 113 window-type current transformer

### Features:

- Primary busbar 30 x 10 mm, accuracy class 1

Primary current	Secondary current	VA	Accuracy class	PU	Product designation	Order no.
600	1	2,5	0,5	3	PSA 113 600/1 2,5 0,5-WA 30X10 50-30	<b>77105-7132</b>
60	5	1	1	3	PSA 113 60/5 1,0 1-WA 30X10 50-30	<b>77105-1013</b>
75	5	1,5	1	3	PSA 113 75/5 1,5 1-WA 30X10 50-30	<b>77105-1123</b>
200	5	5	1	3	PSA 113 200/5 5,0 1-WA 30X10 50-30	<b>77105-1643</b>
250	5	5	1	3	PSA 113 250/5 5,0 1-WA 30X10 50-30	<b>77105-1743</b>
100	5	2,5	1	3	PSA 113 100/5 2,5 1-WA 30X10 50-30	<b>77105-1333</b>
125	5	2,5	1	3	PSA 113 125/5 2,5 1-WA 30X10 50-30	<b>77105-1433</b>
150	5	2,5	1	3	PSA 113 150/5 2,5 1-WA 30X10 50-30	<b>77105-1533</b>
200	5	2,5	1	3	PSA 113 200/5 2,5 1-WA 30X10 50-30	<b>77105-1633</b>
250	5	2,5	1	3	PSA 113 250/5 2,5 1-WA 30X10 50-30	<b>77105-1733</b>
300	5	2,5	1	3	PSA 113 300/5 2,5 1-WA 30X10 50-30	<b>77105-1833</b>
300	5	5	1	3	PSA 113 300/5 5,0 1-WA 30X10 50-30	<b>77105-1843</b>
400	5	2,5	1	3	PSA 113 400/5 2,5 1-WA 30X10 50-30	<b>77105-1933</b>
400	5	5	1	3	PSA 113 400/5 5,0 1-WA 30X10 50-30	<b>77105-1943</b>
500	5	5	1	3	PSA 113 500/5 5,0 1-WA 30X10 50-30	<b>77105-2043</b>
500	5	7,5	1	3	PSA 113 500/5 7,5 1-WA 30X10 50-30	<b>77105-2053</b>
600	5	5	1	3	PSA 113 600/5 5,0 1-WA 30X10 50-30	<b>77105-2143</b>
600	5	7,5	1	3	PSA 113 600/5 7,5 1-WA 30X10 50-30	<b>77105-2153</b>

## Window-type current transformers

► Technical data, page 323



77105-2143

### PSA 113 window-type current transformer

**Features:**

- Primary busbar 30 x 10 mm, accuracy class 1

Primary current	Secondary current	VA	Accuracy class	PU	Product designation	Order no.
60	1	1	1	3	PSA 113 60/1 1,0 1-WA 30X10 50-30	<b>77105-6013</b>
75	1	1,5	1	3	PSA 113 75/1 1,5 1-WA 30X10 50-30	<b>77105-6123</b>
80	1	2,5	1	3	PSA 113 80/1 2,5 1-WA 30X10 50-30	<b>77105-6233</b>
100	1	2,5	1	3	PSA 113 100/1 2,5 1-WA 30X10 50-30	<b>77105-6333</b>
125	1	2,5	1	3	PSA 113 125/1 2,5 1-WA 30X10 50-30	<b>77105-6433</b>
150	1	2,5	1	3	PSA 113 150/1 2,5 1-WA 30X10 50-30	<b>77105-6533</b>
200	1	2,5	1	3	PSA 113 200/1 2,5 1-WA 30X10 50-30	<b>77105-6633</b>
200	1	5	1	3	PSA 113 200/1 5,0 1-WA 30X10 50-30	<b>77105-6643</b>
250	1	2,5	1	3	PSA 113 250/1 2,5 1-WA 30X10 50-30	<b>77105-6733</b>
250	1	5	1	3	PSA 113 250/1 5,0 1-WA 30X10 50-30	<b>77105-6743</b>
300	1	2,5	1	3	PSA 113 300/1 2,5 1-WA 30X10 50-30	<b>77105-6833</b>
300	1	5	1	3	PSA 113 300/1 5,0 1-WA 30X10 50-30	<b>77105-6843</b>
400	1	2,5	1	3	PSA 113 400/1 2,5 1-WA 30X10 50-30	<b>77105-6933</b>
400	1	5	1	3	PSA 113 400/1 5,0 1-WA 30X10 50-30	<b>77105-6943</b>
500	1	5	1	3	PSA 113 500/1 5,0 1-WA 30X10 50-30	<b>77105-7043</b>
600	1	2,5	0,5	3	PSA 113 600/1 2,5 0,5-WA 30X10 50-30	<b>77105-7132</b>
600	1	5	1	3	PSA 113 600/1 5,0 1-WA 30X10 50-30	<b>77105-7143</b>
600	1	7,5	1	3	PSA 113 600/1 7,5 1-WA 30X10 50-30	<b>77105-7153</b>



77107-1332

### PSA 115 window-type current transformer

**Features:**

- Primary busbar 30 x 10 mm, accuracy class 0.5

Primary current	Secondary current	VA	Accuracy class	PU	Product designation	Order no.
100	5	2,5	0,5	3	PSA 115 100/5 2,5 0,5-WA 30x10 50-50	<b>77107-1332</b>
125	5	2,5	0,5	3	PSA 115 125/5 2,5 0,5-WA 30X10 50-50	<b>77107-1432</b>
150	5	5	0,5	3	PSA 115 150/5 5,0 0,5-WA 30X10 50-50	<b>77107-1542</b>
200	5	5	0,5	3	PSA 115 200/5 5,0 0,5-WA 30X10 50-50	<b>77107-1642</b>
250	5	5	0,5	3	PSA 115 250/5 5,0 0,5-WA 30X10 50-50	<b>77107-1742</b>
300	5	5	0,5	3	PSA 115 300/5 5,0 0,5-WA 30X10 50-50	<b>77107-1842</b>
400	5	10	0,5	3	PSA 115 400/5 10 0,5-WA 30x10 50-50	<b>77107-1962</b>
500	5	10	0,5	3	PSA 115 500/5 10 0,5-WA 30X10 50-50	<b>77107-2062</b>
600	5	10	0,5	3	PSA 115 600/5 10 0,5-WA 30X10 50-50	<b>77107-2162</b>
100	1	2,5	0,5	3	PSA 115 100/1 2,5 0,5-WA 30X10 50-50	<b>77107-6332</b>
125	1	2,5	0,5	3	PSA 115 125/1 2,5 0,5-WA 30X10 50-50	<b>77107-6432</b>
150	1	5	0,5	3	PSA 115 150/1 5,0 0,5-WA 30X10 50-50	<b>77107-6542</b>
200	1	5	0,5	3	PSA 115 200/1 5,0 0,5-WA 30X10 50-50	<b>77107-6642</b>
250	1	5	0,5	3	PSA 115 250/1 5,0 0,5-WA 30X10 50-50	<b>77107-6742</b>
300	1	5	0,5	3	PSA 115 300/1 5,0 0,5-WA 30X10 50-50	<b>77107-6842</b>
400	1	10	0,5	3	PSA 115 400/1 10 0,5-WA 30X10 50-50	<b>77107-6962</b>
500	1	10	0,5	3	PSA 115 500/1 10 0,5-WA 30X10 50-50	<b>77107-7062</b>
600	1	10	0,5	3	PSA 115 600/1 10 0,5-WA 30X10 50-50	<b>77107-7162</b>



77107-2163

### PSA 115 window-type current transformer

**Features:**

- Primary busbar 30 x 10 mm, accuracy class 1

Primary current	Secondary current	VA	Accuracy class	PU	Product designation	Order no.
50	5	1,5	1	3	PSA 115 50/5 1,5 1-WA 30X10 50-50	<b>77107-0923</b>
60	5	1,5	1	3	PSA 115 60/5 1,5 1-WA 30X10 50-50	<b>77107-1023</b>
75	5	2,5	1	3	PSA 115 75/5 2,5 1-WA 30X10 50-50	<b>77107-1133</b>
100	5	5	1	3	PSA 115 100/5 5,0 1-WA 30X10 50-50	<b>77107-1343</b>
125	5	5	1	3	PSA 115 125/5 5,0 1-WA 30X10 50-50	<b>77107-1443</b>
150	5	5	1	3	PSA 115 150/5 5,0 1-WA 30X10 50-50	<b>77107-1543</b>
200	5	5	1	3	PSA 115 200/5 5,0 1-WA 30X10 50-50	<b>77107-1643</b>
200	5	10	1	3	PSA 115 200/5 10 1-WA 30X10 50-50	<b>77107-1663</b>
250	5	10	1	3	PSA 115 250/5 10 1-WA 30X10 50-50	<b>77107-1763</b>

# Window-type current transformers

► Technical data, page 323



77107-2163

## PSA 115 window-type current transformer

### Features:

- Primary busbar 30 x 10 mm, accuracy class 1

Primary current	Secondary current	VA	Accuracy class	PU	Product designation	Order no.
300	5	10	1	3	PSA 115 300/5 10 1-WA 30X10 50-50	<b>77107-1863</b>
400	5	10	1	3	PSA 115 400/5 10 1-WA 30X10 50-50	<b>77107-1963</b>
400	5	15	1	3	PSA 115 400/5 15 1-WA 30X10 50-50	<b>77107-1973</b>
500	5	10	1	3	PSA 115 500/5 10 1-WA 30X10 50-50	<b>77107-2063</b>
500	5	15	1	3	PSA 115 500/5 15 1-WA 30x10 50-50	<b>77107-2073</b>
600	5	10	1	3	PSA 115 600/5 10 1-WA 30X10 50-50	<b>77107-2163</b>
600	5	15	1	3	PSA 115 600/5 15 1-WA 30X10 50-50	<b>77107-2173</b>
50	1	1,5	1	3	PSA 115 50/1 1,5 1-WA 30X10 50-50	<b>77107-5923</b>
60	1	1,5	1	3	PSA 115 60/1 1,5 1-WA 30X10 50-50	<b>77107-6023</b>
75	1	2,5	1	3	PSA 115 75/1 2,5 1-WA 30X10 50-50	<b>77107-6133</b>
100	1	5	1	3	PSA 115 100/1 5,0 1-WA 30X10 50-50	<b>77107-6343</b>
125	1	5	1	3	PSA 115 125/1 5,0 1-WA 30X10 50-50	<b>77107-6443</b>
150	1	5	1	3	PSA 115 150/1 5,0 1-WA 30X10 50-50	<b>77107-6543</b>
200	1	5	1	3	PSA 115 200/1 5 1-WA 30X10 50-50	<b>77107-6643</b>
200	1	10	1	3	PSA 115 200/1 10 1-WA 30X10 50-50	<b>77107-6663</b>
250	1	10	1	3	PSA 115 250/1 10 1-WA 30X10 50-50	<b>77107-6763</b>
300	1	10	1	3	PSA 115 300/1 10 1-WA 30X10 50-50	<b>77107-6863</b>
400	1	10	1	3	PSA 115 400/1 10 1-WA 30X10 50-50	<b>77107-6963</b>
400	1	15	1	3	PSA 115 400/1 15 1-WA 30X10 50-50	<b>77107-6973</b>
500	1	15	1	3	PSA 115 500/1 15 1-WA 30X10 50-50	<b>77107-7073</b>
500	1	10	1	3	PSA 115 500/1 10 1-WA 30X10 50-50	<b>77107-7063</b>
600	1	10	1	3	PSA 115 600/1 10 1-WA 30X10 50-50	<b>77107-7163</b>
600	1	15	1	3	PSA 115 600/1 15 1-WA 30X10 50-50	<b>77107-7173</b>



77106-1322

## PSA 313 window-type current transformer

### Features:

- Primary busbar 30 x 10 mm, accuracy class 0.5

Primary current	Secondary current	VA	Accuracy class	PU	Product designation	Order no.
100	5	1,5	0,5	3	PSA 313 100/5 1,5 0,5-WA 30X10 60-30	<b>77106-1322</b>
150	5	2,5	0,5	3	PSA 313 150/5 2,5 0,5-WA 30X10 60-30	<b>77106-1532</b>
200	5	5	0,5	3	PSA 313 200/5 5,0 0,5-WA 30X10 60-30	<b>77106-1642</b>
250	5	5	0,5	3	PSA 313 250/5 5,0 0,5-WA 30X10 60-30	<b>77106-1742</b>
300	5	5	0,5	3	PSA 313 300/5 5,0 0,5-WA 30X10 60-30	<b>77106-1842</b>
300	5	10	0,5	3	PSA 313 300/5 10 0,5-WA 30X10 60-30	<b>77106-1862</b>
400	5	5	0,5	3	PSA 313 400/5 5,0 0,5-WA 30X10 60-30	<b>77106-1942</b>
400	5	10	0,5	3	PSA 313 400/5 10 0,5-WA 30X10 60-30	<b>77106-1962</b>
500	5	5	0,5	3	PSA 313 500/5 5,0 0,5-WA 30X10 60-30	<b>77106-2042</b>
500	5	10	0,5	3	PSA 313 500/5 10 0,5-WA 30X10 60-30	<b>77106-2062</b>
600	5	5	0,5	3	PSA 313 600/5 5,0 0,5-WA 30X10 60-30	<b>77106-2142</b>
600	5	10	0,5	3	PSA 313 600/5 10 0,5-WA 30X10 60-30	<b>77106-2162</b>
100	1	1,5	0,5	3	PSA 313 100/1 1,5 0,5-WA 30X10 60-30	<b>77106-6322</b>
150	1	2,5	0,5	3	PSA 313 150/1 2,5 0,5-WA 30X10 60-30	<b>77106-6532</b>
200	1	5	0,5	3	PSA 313 200/1 5,0 0,5-WA 30X10 60-30	<b>77106-6642</b>
250	1	5	0,5	3	PSA 313 250/1 5,0 0,5-WA 30X10 60-30	<b>77106-6742</b>
300	1	5	0,5	3	PSA 313 300/1 5,0 0,5-WA 30X10 60-30	<b>77106-6842</b>
400	1	5	0,5	3	PSA 313 400/1 5,0 0,5-WA 30X10 60-30	<b>77106-6942</b>
500	1	5	0,5	3	PSA 313 500/1 5,0 0,5-WA 30X10 60-30	<b>77106-7042</b>
600	1	5	0,5	3	PSA 313 600/1 5,0 0,5-WA 30X10 60-30	<b>77106-7142</b>

## Window-type current transformers

► Technical data, page 323



77106-1763

### PSA 313 window-type current transformer

**Features:**

- Primary busbar 30 x 10 mm, accuracy class 1

Primary current	Secondary current	VA	Accuracy class	PU	Product designation	Order no.
100	5	2,5	1	3	PSA 313 100/5 2,5 1-WA 30X10 60-30	<b>77106-1333</b>
125	5	2,5	1	3	PSA 313 150/5 2,5 1-WA 30X10 60-30	<b>77106-1533</b>
150	5	5	1	3	PSA 313 150/5 5,0 1-WA 30X10 60-30	<b>77106-1543</b>
200	5	5	1	3	PSA 313 200/5 5,0 1-WA 30X10 60-30	<b>77106-1643</b>
250	5	5	1	3	PSA 313 250/5 5,0 1-WA 30X10 60-30	<b>77106-1743</b>
250	5	10	1	3	PSA 313 250/5 10 1-WA 30X10 60-30	<b>77106-1763</b>
300	5	5	1	3	PSA 313 300/5 5,0 1-WA 30X10 60-30	<b>77106-1843</b>
300	5	10	1	3	PSA 313 300/5 10 1-WA 30X10 60-30	<b>77106-1863</b>
400	5	5	1	3	PSA 313 400/5 5,0 1-WA 30X10 60-30	<b>77106-1943</b>
400	5	10	1	3	PSA 313 400/5 10 1-WA 30X10 60-30	<b>77106-1963</b>
500	5	5	1	3	PSA 313 500/5 5,0 1-WA 30X10 60-30	<b>77106-2043</b>
500	5	10	1	3	PSA 313 500/5 10 1-WA 30X10 60-30	<b>77106-2063</b>
600	5	5	1	3	PSA 313 600/5 5,0 1-WA 30X10 60-30	<b>77106-2143</b>
600	5	10	1	3	PSA 313 600/5 10 1-WA 30X10 60-30	<b>77106-2163</b>
100	1	2,5	1	3	PSA 313 100/1 2,5 1-WA 30X10 60-30	<b>77106-6333</b>
150	1	2,5	1	3	PSA 313 150/1 2,5 1-WA 30X10 60-30	<b>77106-6533</b>
200	1	5	1	3	PSA 313 200/1 5,0 1-WA 30X10 60-30	<b>77106-6643</b>
250	1	5	1	3	PSA 313 250/1 5,0 1-WA 30X10 60-30	<b>77106-6743</b>
250	1	10	1	3	PSA 313 250/1 10 1-WA 30X10 60-30	<b>77106-6763</b>
300	1	5	1	3	PSA 313 300/1 5,0 1-WA 30X10 60-30	<b>77106-6843</b>
300	1	10	1	3	PSA 313 300/1 10 1-WA 30X10 60-30	<b>77106-6863</b>
400	1	5	1	3	PSA 313 400/1 5,0 1-WA 30X10 60-30	<b>77106-6943</b>
400	1	10	1	3	PSA 313 400/1 10 1-WA 30X10 60-30	<b>77106-6963</b>
500	1	5	1	3	PSA 313 500/1 5,0 1-WA 30X10 60-30	<b>77106-7043</b>
500	1	10	1	3	PSA 313 500/1 10 1-WA 30X10 60-30	<b>77106-7063</b>
600	1	5	1	3	PSA 313 600/1 5,0 1-WA 30X10 60-30	<b>77106-7143</b>
600	1	10	1	3	PSA 313 600/1 10 1-WA 30X10 60-30	<b>77106-7163</b>



77108-1132

### PSA 315 window-type current transformer

**Features:**

- Primary busbar 30 x 10 mm, accuracy class 0.5

Primary current	Secondary current	VA	Accuracy class	PU	Product designation	Order no.
75	5	2,5	0,5	3	PSA 315 75/5 2,5 0,5-WA 30X10 60-55	<b>77108-1132</b>
100	5	2,5	0,5	3	PSA 315 100/5 2,5 0,5-WA 30X10 60-55	<b>77108-1332</b>
150	5	5	0,5	3	PSA 315 150/5 5,0 0,5-WA 30X10 60-55	<b>77108-1542</b>
200	5	10	0,5	3	PSA 315 200/5 10 0,5-WA 30X10 60-55	<b>77108-1662</b>
250	5	10	0,5	3	PSA 315 250/5 10 0,5-WA 30X10 60-55	<b>77108-1762</b>
300	5	15	0,5	3	PSA 315 300/5 15 0,5-WA 30X10 60-55	<b>77108-1872</b>
400	5	15	0,5	3	PSA 315 400/5 15 0,5-WA 30X10 60-55	<b>77108-1972</b>
100	1	2,5	0,5	3	PSA 315 100/1 2,5 0,5-WA 30X10 60-55	<b>77108-6332</b>
150	1	5	0,5	3	PSA 315 150/1 5,0 0,5-WA 30X10 60-55	<b>77108-6542</b>
200	1	10	0,5	3	PSA 315 200/1 10 0,5-WA 30X10 60-55	<b>77108-6662</b>
250	1	10	0,5	3	PSA 315 250/1 10 0,5-WA 30X10 60-55	<b>77108-6762</b>



77108-1343

### PSA 315 window-type current transformer

**Features:**

- Primary busbar 30 x 10 mm, accuracy class 1

Primary current	Secondary current	VA	Accuracy class	PU	Product designation	Order no.
75	5	2,5	1	3	PSA 315 75/5 2,5 1-WA 30X10 60-55	<b>77108-1133</b>
100	5	5	1	3	PSA 315 100/5 5,0 1-WA 30X10 60-55	<b>77108-1343</b>
150	5	5	1	3	PSA 315 150/5 5,0 1-WA 30X10 60-55	<b>77108-1543</b>
150	5	10	1	3	PSA 315 150/5 10 1-WA 30X10 60-55	<b>77108-1563</b>
200	5	10	1	3	PSA 315 200/5 10 1-WA 30X10 60-55	<b>77108-1663</b>
200	5	15	1	3	PSA 315 200/5 15 1-WA 30X10 60-55	<b>77108-1673</b>
250	5	10	1	3	PSA 315 250/5 10 1-WA 30X10 60-55	<b>77108-1763</b>

# Window-type current transformers

► Technical data, page 324



77108-1343

## PSA 315 window-type current transformer

### Features:

- Primary busbar 30 x 10 mm, accuracy class 1

Primary current	Secondary current	VA	Accuracy class	PU	Product designation	Order no.
300	5	15	1	3	PSA 315 300/5 15 1-WA 30X10 60-55	<b>77108-1873</b>
400	5	15	1	3	PSA 315 400/5 15 1-WA 30X10 60-55	<b>77108-1973</b>
75	1	2,5	1	3	PSA 315 75/1 2,5 1-WA 30X10 60-55	<b>77108-6133</b>
100	1	5	1	3	PSA 315 100/1 5,0 1-WA 30X10 60-55	<b>77108-6343</b>
150	1	5	1	3	PSA 315 150/1 5,0 1-WA 30X10 60-55	<b>77108-6543</b>
200	1	10	1	3	PSA 315 200/1 10 1-WA 30X10 60-55	<b>77108-6663</b>
200	1	15	1	3	PSA 315 200/1 15 1-WA30x10 60-55	<b>77105-6673</b>
200	1	15	1	3	PSA 315 200/1 15 1-WA 30X10 60-55	<b>77108-6673</b>
250	1	10	1	3	PSA 315 250/1 10 1-WA 30-10 60-55	<b>77105-6763</b>



77113-1632

## PSA 413 window-type current transformer

### Features:

- Primary busbar 40 x 12 mm, accuracy class 0.5

Primary current	Secondary current	VA	Accuracy class	PU	Product designation	Order no.
200	5	2,5	0,5	3	PSA 413 200/5 2,5 0,5-WA 40X12 60-30	<b>77113-1632</b>
250	5	2,5	0,5	3	PSA 413 250/5 2,5 0,5-WA 40X12 60-30	<b>77113-1732</b>
250	5	5	0,5	3	PSA 413 250/5 5,0 0,5-WA 40X12 60-30	<b>77113-1742</b>
300	5	5	0,5	3	PSA 413 300/5 5,0 0,5-WA 40X12 60-30	<b>77113-1842</b>
400	5	2,5	0,5	3	PSA 413 400/5 2,5 0,5-WA 40X12 60-30	<b>77113-1932</b>
400	5	5	0,5	3	PSA 413 400/5 5,0 0,5-WA 40X12 60-30	<b>77113-1942</b>
500	5	5	0,5	3	PSA 413 500/5 5,0 0,5-WA 40X12 60-30	<b>77113-2042</b>
600	5	5	0,5	3	PSA 413 600/5 5,0 0,5-WA 40X12 60-30	<b>77113-2142</b>
750	5	5	0,5	3	PSA 413 750/5 5,0 0,5-WA 40X12 60-30	<b>77113-2242</b>
800	5	5	0,5	3	PSA 413 800/5 5,0 0,5-WA 40X12 60-30	<b>77113-2342</b>
200	1	2,5	0,5	3	PSA 413 200/1 2,5 0,5-WA 40X12 60-30	<b>77113-6632</b>
250	1	2,5	0,5	3	PSA 413 250/1 2,5 0,5-WA 40X12 60-30	<b>77113-6732</b>
250	1	5	0,5	3	PSA 413 250/1 5,0 0,5-WA 40X12 60-30	<b>77113-6742</b>
300	1	5	0,5	3	PSA 413 300/1 5,0 0,5-WA 40X12 60-30	<b>77113-6842</b>
400	1	5	0,5	3	PSA 413 400/1 5,0 0,5-WA 40X12 60-30	<b>77113-6942</b>
500	1	5	0,5	3	PSA 413 500/1 5,0 0,5-WA 40X12 60-30	<b>77113-7042</b>
600	1	5	0,5	3	PSA 413 600/1 5,0 0,5-WA 40X12 60-30	<b>77113-7142</b>
800	1	5	0,5	3	PSA 413 800/1 5,0 0,5-WA 40X12 60-30	<b>77113-7342</b>



77113-1633

## PSA 413 window-type current transformer

### Features:

- Primary busbar 40 x 12 mm, accuracy class 1

Primary current	Secondary current	VA	Accuracy class	PU	Product designation	Order no.
150	5	2,5	1	3	PSA 413 150/5 2,5 1-WA 40X12 60-30	<b>77113-1533</b>
200	5	2,5	1	3	PSA 413 200/5 2,5 1-WA 40X12 60-30	<b>77113-1633</b>
200	5	5	1	3	PSA 413 200/5 5,0 1-WA 40X12 60-30	<b>77113-1643</b>
250	5	5	1	3	PSA 413 250/5 2,5 1-WA 40X12 60-30	<b>77113-1733</b>
250	5	5	1	3	PSA 413 250/5 5,0 1-WA 40X12 60-30	<b>77113-1743</b>
300	5	5	1	3	PSA 413 300/5 5,0 1-WA 40X12 60-30	<b>77113-1843</b>
300	5	7,5	1	3	PSA 413 300/5 7,5 1-WA 40X12 60-30	<b>77113-1853</b>
400	5	5	1	3	PSA 413 400/5 5,0 1-WA 40X12 60-30	<b>77113-1943</b>
400	5	10	1	3	PSA 413 400/5 10 1-WA 40X12 60-30	<b>77113-1963</b>
500	5	5	1	3	PSA 413 500/5 5,0 1-WA 40X12 60-30	<b>77113-2043</b>
500	5	10	1	3	PSA 413 500/5 10 1-WA 40X12 60-30	<b>77113-2063</b>
600	5	5	1	3	PSA 413 600/5 5,0 1-WA 40X12 60-30	<b>77113-2143</b>
600	5	10	1	3	PSA 413 600/5 10 1-WA 40X12 60-30	<b>77113-2163</b>
750	5	5	1	3	PSA 413 750/5 5,0 1-WA 40X12 60-30	<b>77113-2243</b>
750	5	10	1	3	PSA 413 750/5 10 1-WA 40X12 60-30	<b>77113-2263</b>
800	5	5	1	3	PSA 413 800/5 5,0 1-WA 40X12 60-30	<b>77113-2343</b>
800	5	10	1	3	PSA 413 800/5 10 1-WA 40X12 60-30	<b>77113-2363</b>
150	1	2,5	1	3	PSA 413 150/1 2,5 1-WA 40X12 60-30	<b>77113-6533</b>

## Window-type current transformers

► Technical data, page 324



77113-1633

### PSA 413 window-type current transformer

#### Features:

- Primary busbar 40 x 12 mm, accuracy class 1

Primary current	Secondary current	VA	Accuracy class	PU	Product designation	Order no.
200	1	2,5	1	3	PSA 413 200/1 2,5 1-WA 40X12 60-30	<b>77113-6633</b>
200	1	4	1	3	PSA 413 200/1 5,0 1-WA 40X12 60-30	<b>77113-6643</b>
250	1	2,5	1	3	PSA 413 250/1 2,5 1-WA 40X12 60-30	<b>77113-6733</b>
250	1	5	1	3	PSA 413 250/1 5,0 1-WA 40X12 60-30	<b>77113-6743</b>
300	1	5	1	3	PSA 413 300/1 5,0 1-WA 40X12 60-30	<b>77113-6843</b>
300	1	7,5	1	3	PSA 413 300/1 7,5 1-WA 40X12 60-30	<b>77113-6853</b>
400	1	5	1	3	PSA 413 400/1 5,0 1-WA 40X12 60-30	<b>77113-6943</b>
400	1	10	1	3	PSA 413 400/1 10 1-WA 40X12 60-30	<b>77113-6963</b>
500	1	5	1	3	PSA 413 500/1 5,0 1-WA 40X12 60-30	<b>77113-7043</b>
500	1	10	1	3	PSA 413 500/1 10 1-WA 40X12 60-30	<b>77113-7063</b>
600	1	5	1	3	PSA 413 600/1 5,0 1-WA 40X12 60-30	<b>77113-7143</b>
600	1	10	1	3	PSA 413 600/1 10 1-WA 40X12 60-30	<b>77113-7163</b>
750	1	10	1	3	PSA 413 750/1 10 1-WA 40X12 60-30	<b>77113-7263</b>
800	1	10	1	3	PSA 413 800/1 10 1-WA 40X12 60-30	<b>77113-7363</b>



77111-2163

### PSA 415 window-type current transformer

#### Features:

- Primary busbar 40 x 12 mm, accuracy class 0.5

Primary current	Secondary current	VA	Accuracy class	PU	Product designation	Order no.
600	5	10	0,5	3	PSA 415 600/5 10 0,5-WA 40X12 60-55	<b>77111-2162</b>
800	5	10	0,5	3	PSA 415 800/5 10 0,5-WA 40X12 60-55	<b>77111-2362</b>



77111-1543

### PSA 415 window-type current transformer

#### Features:

- Primary busbar 40 x 12 mm, accuracy class 1

Primary current	Secondary current	VA	Accuracy class	PU	Product designation	Order no.
150	5	5	1	3	PSA 415 150/5 5,0 1-WA 40X12 60-55	<b>77111-1543</b>
200	5	10	1	3	PSA 415 200/5 10 1-WA 40X12 60-55	<b>77111-1663</b>
250	5	10	1	3	PSA 415 250/5 10 1-WA 40X12 60-55	<b>77111-1763</b>
300	5	10	1	3	PSA 415 300/5 10 1-WA 40X12 60-55	<b>77111-1863</b>
150	1	5	1	3	PSA 415 150/1 5 1-WA 40X12 60-55	<b>77111-6543</b>
200	1	10	1	3	PSA 415 200/1 10 1-WA 40X12 60-55	<b>77111-6663</b>
250	1	10	1	3	PSA 415 250/1 10 1-WA 40X12 60-55	<b>77111-6763</b>
300	1	10	1	3	PSA 415 300/1 10 1-WA 40X12 60-55	<b>77111-6863</b>



77115-1742

### PSA 513 window-type current transformer

#### Features:

- Primary busbar 50 x 12 mm, accuracy class 0.5

Primary current	Secondary current	VA	Accuracy class	PU	Product designation	Order no.
250	5	5	0,5	3	PSA 513 250/5 5,0 0,5-WA 50X12 85-30	<b>77115-1742</b>
300	5	5	0,5	3	PSA 513 300/5 5,0 0,5-WA 50X12 85-30	<b>77115-1842</b>
400	5	5	0,5	3	PSA 513 400/5 5,0 0,5-WA 50X12 85-30	<b>77115-1942</b>
500	5	5	0,5	3	PSA 513 500/5 5,0 0,5-WA 50X12 85-30	<b>77115-2042</b>
600	5	5	0,5	3	PSA 513 600/5 5,0 0,5-WA 50X12 85-30	<b>77115-2142</b>
600	5	10	0,5	3	PSA 513 600/5 10,0 0,5-WA 50X12 85-30	<b>77115-2162</b>
750	5	5	0,5	3	PSA 513 750/5 5,0 0,5-WA 50X12 85-30	<b>77115-2242</b>
750	5	10	0,5	3	PSA 513 750/5 10,0 0,5-WA 50X12 85-30	<b>77115-2262</b>
800	5	5	0,5	3	PSA 513 800/5 5,0 0,5-WA 50X12 85-30	<b>77115-2342</b>
800	5	10	0,5	3	PSA 513 800/5 10,0 0,5-WA 50X12 85-30	<b>77115-2362</b>
1000	5	5	0,5	3	PSA 513 1000/5 5,0 0,5-WA 50X12 85-30	<b>77115-2442</b>
1000	5	10	0,5	3	PSA 513 1000/5 10,0 0,5-WA 50X12 85-30	<b>77115-2462</b>

# Window-type current transformers

► Technical data, page 324



77115-1742

## PSA 513 window-type current transformer

### Features:

- Primary busbar 50 x 12 mm, accuracy class 0.5

Primary current	Secondary current	VA	Accuracy class	PU	Product designation	Order no.
1000	5	15	0,5	3	PSA 513 1000/5 15 0,5-WA 50X12 85-30	<b>77115-2472</b>
1200	5	10	0,5	3	PSA 513 1200/5 10 0,5-WA 50X12 85-30	<b>77115-2562</b>
1200	5	15	0,5	3	PSA 513 1200/5 15 0,5-WA 50X12 85-30	<b>77115-2572</b>
1250	5	10	0,5	3	PSA 513 1250/5 10 0,5-WA 50X12 85-30	<b>77115-2662</b>
1250	5	15	0,5	3	PSA 513 1250/5 15 0,5-WA 50X12 85-30	<b>77115-2672</b>
250	1	5	0,5	3	PSA 513 250/1 5,0 0,5-WA 50X12 85-30	<b>77115-6742</b>
300	1	5	0,5	3	PSA 513 300/1 5,0 0,5-WA 50X12 85-30	<b>77115-6842</b>
400	1	5	0,5	3	PSA 513 400/1 5,0 0,5-WA 50X12 85-30	<b>77115-6942</b>
500	1	5	0,5	3	PSA 513 500/1 5,0 0,5-WA 50X12 85-30	<b>77115-7042</b>
600	1	5	0,5	3	PSA 513 600/1 5 0,5-WA 50X12 85-30	<b>77115-7142</b>
750	1	5	0,5	3	PSA 513 750/1 5,0 0,5-WA 50X12 85-30	<b>77115-7242</b>
800	1	10	0,5	3	PSA 513 800/1 10 0,5-WA 50X12 85-30	<b>77115-7362</b>
1000	1	10	0,5	3	PSA 513 1000/1 10 0,5-WA 50X12 85-30	<b>77115-7462</b>
1200	1	10	0,5	3	PSA 513 1200/1 10 0,5-WA 50X12 85-30	<b>77115-7562</b>
1250	1	10	0,5	3	PSA 513 1250/1 10 0,5-WA 50X12 85-30	<b>77115-7662</b>



77115-2663

## PSA 513 window-type current transformer

### Features:

- Primary busbar 50 x 12 mm, accuracy class 1

Primary current	Secondary current	VA	Accuracy class	PU	Product designation	Order no.
200	5	5	1	3	PSA 513 200/5 5,0 1-WA 50X12 85-30	<b>77115-1643</b>
250	5	5	1	3	PSA 513 250/5 5,0 1-WA 50X12 85-30	<b>77115-1743</b>
250	5	10	1	3	PSA 513 250/5 10 1-WA 50X12 85-30	<b>77115-1763</b>
300	5	5	1	3	PSA 513 300/5 5,0 1-WA 50X12 85-30	<b>77115-1843</b>
300	5	10	1	3	PSA 513 300/5 10 1-WA 50X12 85-30	<b>77115-1863</b>
300	1	5	1	3	PSA 513 300/1 5,0 1-WA 50X12 85-30	<b>77115-6843</b>
400	5	5	1	3	PSA 513 400/5 5,0 1-WA 50X12 85-30	<b>77115-1943</b>
400	5	10	1	3	PSA 513 400/5 10 1-WA 50X12 85-30	<b>77115-1963</b>
400	5	15	1	3	PSA 513 400/5 15 1-WA 50X12 85-30	<b>77115-1973</b>
500	5	5	1	3	PSA 513 500/5 5,0 1-WA 50X12 85-30	<b>77115-2043</b>
500	5	10	1	3	PSA 513 500/5 10 1-WA 50X12 85-30	<b>77115-2063</b>
500	5	15	1	3	PSA 513 500/5 15 1-WA 50X12 85-30	<b>77115-2073</b>
600	5	5	1	3	PSA 513 600/5 5,0 1-WA 50X12 85-30	<b>77115-2143</b>
600	5	10	1	3	PSA 513 600/5 10 1-WA 50X12 85-30	<b>77115-2163</b>
600	5	15	1	3	PSA 513 600/5 15 1-WA 50X12 85-30	<b>77115-2173</b>
750	5	5	1	3	PSA 513 750/5 5,0 1-WA 50X12 85-30	<b>77115-2243</b>
750	5	10	1	3	PSA 513 750/5 10 1-WA 50X12 85-30	<b>77115-2263</b>
750	5	15	1	3	PSA 513 750/5 15 1-WA 50X12 85-30	<b>77115-2273</b>
800	5	5	1	3	PSA 513 800/5 5,0 1-WA 50X12 85-30	<b>77115-2343</b>
800	5	10	1	3	PSA 513 800/5 10 1-WA 50X12 85-30	<b>77115-2363</b>
800	5	15	1	3	PSA 513 800/5 15 1-WA 50X12 85-30	<b>77115-2373</b>
1000	5	5	1	3	PSA 513 1000/5 5,0 1-WA 50X12 85-30	<b>77115-2443</b>
1000	5	10	1	3	PSA 513 1000/5 10 1-WA 50X12 85-30	<b>77115-2463</b>
1000	5	15	1	3	PSA 513 1000/5 15 1-WA 50X12 85-30	<b>77115-2473</b>
1200	5	5	1	3	PSA 513 1200/5 5,0 1-WA 50X12 85-30	<b>77115-2543</b>
1200	5	10	1	3	PSA 513 1200/5 10 1-WA 50X12 85-30	<b>77115-2563</b>
1200	5	15	1	3	PSA 513 1200/5 15 1-WA 50X12 85-30	<b>77115-2573</b>
1250	5	5	1	3	PSA 513 1250/5 5,0 1-WA 50X12 85-30	<b>77115-2643</b>
1250	5	10	1	3	PSA 513 1250/5 10 1-WA 50X12 85-30	<b>77115-2663</b>
1250	5	15	1	3	PSA 513 1250/5 15 1-WA 50X12 85-30	<b>77115-2673</b>
200	1	5	1	3	PSA 513 200/1 5,0 1-WA 50X12 85-30	<b>77115-6643</b>
250	1	5	1	3	PSA 513 250/1 5,0 1-WA 50X12 85-30	<b>77115-6743</b>
300	1	10	1	3	PSA 513 300/1 10 1-WA 50X12 85-30	<b>77115-6863</b>
400	1	5	1	3	PSA 513 400/1 5,0 0,5-WA 50X12 85-30	<b>77115-6943</b>
400	1	10	1	3	PSA 513 400/1 10,0 1,0-WA 50X12 85-30	<b>77115-6963</b>

## Window-type current transformers

► Technical data, page 324



77115-2663

### PSA 513 window-type current transformer

**Features:**

- Primary busbar 50 x 12 mm, accuracy class 1

Primary current	Secondary current	VA	Accuracy class	PU	Product designation	Order no.
500	1	10	1	3	PSA 513 500/1 10 1-WA 50X12 85-30	<b>77115-7063</b>
600	1	5	1	3	PSA 513 600/1 5,0 1-WA 50X12 85-30	<b>77115-7143</b>
600	1	10	1	3	PSA 513 600/1 10 1-WA 50X12 85-30	<b>77115-7163</b>
750	1	5	1	3	PSA 513 750/1 5,0 1-WA 50X12 85-30	<b>77115-7243</b>
750	1	10	1	3	PSA 513 750/1 10 1-WA 50X12 85-30	<b>77115-7263</b>
800	1	5	1	3	PSA 513 800/1 5,0 1-WA 50X12 85-30	<b>77115-7343</b>
800	1	10	1	3	PSA 513 800/1 10 1-WA 50X12 85-30	<b>77115-7363</b>
1000	1	5	1	3	PSA 513 1000/1 5,0 1-WA 50X12 85-30	<b>77115-7443</b>
1000	1	10	1	3	PSA 513 1000/1 10 1-WA 50X12 85-30	<b>77115-7463</b>
1200	1	10	1	3	PSA 513 1200/1 10 1-WA 50X12 85-30	<b>77115-7563</b>
1250	1	10	1	3	PSA 513 1250/1 10 1-WA 50X12 85-30	<b>77115-7663</b>



77119-1942

### PSA 613 window-type current transformer

**Features:**

- Primary busbar 60 x 10 mm, accuracy class 0.5

Primary current	Secondary current	VA	Accuracy class	PU	Product designation	Order no.
400	5	5	0,5	3	PSA 613 400/5 5,0 0,5-WA 60X10 85-30	<b>77119-1942</b>
400	5	10	0,5	3	PSA 613 400/5 10 0,5-WA 60X10 85-30	<b>77119-1962</b>
500	5	5	0,5	3	PSA 613 500/5 5,0 0,5-WA 60X10 85-30	<b>77119-2042</b>
500	5	10	0,5	3	PSA 613 500/5 10 0,5-WA 60X10 85-30	<b>77119-2062</b>
600	5	5	0,5	3	PSA 613 600/5 5,0 0,5-WA 60X10 85-30	<b>77119-2142</b>
600	5	10	0,5	3	PSA 613 600/5 10 0,5-WA 60X10 85-30	<b>77119-2162</b>
750	5	5	0,5	3	PSA 613 750/5 5,0 0,5-WA 60X10 85-30	<b>77119-2242</b>
750	5	10	0,5	3	PSA 613 750/5 10 0,5-WA 60X10 85-30	<b>77119-2262</b>
800	5	5	0,5	3	PSA 613 800/5 5,0 0,5-WA 60X10 85-30	<b>77119-2342</b>
800	5	10	0,5	3	PSA 613 800/5 10 0,5-WA 60X10 85-30	<b>77119-2362</b>
1000	5	5	0,5	3	PSA 613 1000/5 5,0 0,5-WA 60X10 85-30	<b>77119-2442</b>
1000	5	10	0,5	3	PSA 613 1000/5 10 0,5-WA 60X10 85-30	<b>77119-2462</b>
1200	5	5	0,5	3	PSA 613 1200/5 5,0 0,5-WA 60X10 85-30	<b>77119-2542</b>
1200	5	10	0,5	3	PSA 613 1200/5 10 0,5-WA 60X10 85-30	<b>77119-2562</b>
1250	5	5	0,5	3	PSA 613 1250/5 5,0 0,5-WA 60X10 85-30	<b>77119-2642</b>
1250	5	10	0,5	3	PSA 613 1250/5 10 0,5-WA 60X10 85-30	<b>77119-2662</b>
1500	5	5	0,5	3	PSA 613 1500/5 5,0 0,5-WA 60X10 85-30	<b>77119-2742</b>
1500	5	10	0,5	3	PSA 613 1500/5 10 0,5-WA 60X10 85-30	<b>77119-2762</b>
1600	5	5	0,5	3	PSA 613 1600/5 5,0 0,5-WA 60X10 85-30	<b>77119-2842</b>
1600	5	10	0,5	3	PSA 613 1600/5 10 0,5-WA 60X10 85-30	<b>77119-2862</b>
400	1	5	0,5	3	PSA 613 400/1 5 0,5-WA 60X10 85-30	<b>77119-6942</b>
500	1	5	0,5	3	PSA 613 500/1 5,0 0,5-WA 60X10 85-30	<b>77119-7042</b>
600	1	5	0,5	3	PSA 613 600/1 5,0 0,5-WA 60X10 85-30	<b>77119-7142</b>
750	1	5	0,5	3	PSA 613 750/1 5,0 0,5-WA 60X10 85-30	<b>77119-7242</b>
800	1	5	0,5	3	PSA 613 800/1 5,0 0,5-WA 60X10 85-30	<b>77119-7342</b>
1000	1	5	0,5	3	PSA 613 1000/1 5,0 0,5-WA 60X10 85-30	<b>77119-7442</b>
1200	1	5	0,5	3	PSA 613 1200/1 5 0,5-WA 60X10 85-30	<b>77119-7542</b>
1250	1	5	0,5	3	PSA 613 1250/1 5,0 0,5-WA 60X10 85-30	<b>77119-7642</b>
1500	1	5	0,5	3	PSA 613 1500/1 5,0 0,5-WA 60X10 85-30	<b>77119-7742</b>
1600	1	5	0,5	3	PSA 613 1600/1 5 0,5-WA 60X10 85-30	<b>77119-7842</b>

# Window-type current transformers

► Technical data, page 324



77119-2773

## PSA 613 window-type current transformer

### Features:

- Primary busbar 60 x 10 mm, accuracy class 1

Primary current	Secondary current	VA	Accuracy class	PU	Product designation	Order no.
400	5	5	1	3	PSA 613 400/5 5,0 1-WA 60X10 85-30	77119-1943
400	5	10	1	3	PSA 613 400/5 10 1-WA 60X10 85-30	77119-1963
400	5	15	1	3	PSA 613 400/5 15 1-WA 60X10 85-30	77119-1973
500	5	5	1	3	PSA 613 500/5 5,0 1-WA 60X10 85-30	77119-2043
500	5	10	1	3	PSA 613 500/5 10 1-WA 60X10 85-30	77119-2063
500	5	15	1	3	PSA 613 500/5 15 1-WA 60X10 85-30	77119-2073
600	5	5	1	3	PSA 613 600/5 5,0 1-WA 60X10 85-30	77119-2143
600	5	10	1	3	PSA 613 600/5 10 1-WA 60X10 85-30	77119-2163
600	5	15	1	3	PSA 613 600/5 15 1-WA 60X10 85-30	77119-2173
750	5	10	1	3	PSA 613 750/5 10 1-WA 60X10 85-30	77119-2263
750	5	15	1	3	PSA 613 650/5 15 1-WA 60X10 85-30	77119-2273
800	5	5	1	3	PSA 613 800/5 5,0 1-WA 60X10 85-30	77119-2343
800	5	10	1	3	PSA 613 800/5 10 1-WA 60X10 85-30	77119-2363
800	5	15	1	3	PSA 613 800/5 15 1-WA 60X10 85-30	77119-2373
1000	5	5	1	3	PSA 613 1000/5 5,0 1-WA 60X10 85-30	77119-2443
1000	5	10	1	3	PSA 613 1000/5 10 1-WA 60X10 85-30	77119-2463
1000	5	15	1	3	PSA 613 1000/5 15 1-WA 60X10 85-30	77119-2473
1200	5	5	1	3	PSA 613 1200/5 5,0 1-WA 60X10 85-30	77119-2543
1200	5	10	1	3	PSA 613 1200/5 10 1-WA 60X10 85-30	77119-2563
1200	5	15	1	3	PSA 613 1200/5 15 1-WA 60X10 85-30	77119-2573
1250	5	5	1	3	PSA 613 1250/5 5,0 1-WA 60X10 85-30	77119-2643
1250	5	10	1	3	PSA 613 1250/5 10 1-WA 60X10 85-30	77119-2663
1250	5	15	1	3	PSA 613 1250/5 15 1-WA 60X10 85-30	77119-2673
1500	5	5	1	3	PSA 613 1500/5 5,0 1-WA 60X10 85-30	77119-2743
1500	5	10	1	3	PSA 613 1500/5 10 1-WA 60X10 85-30	77119-2763
1500	5	15	1	3	PSA 613 1500/5 15 1-WA 60X10 85-30	77119-2773
1600	5	5	1	3	PSA 613 1600/5 5,0 1-WA 60X10 85-30	77119-2843
1600	5	10	1	3	PSA 613 1600/5 10 1-WA 60X10 85-30	77119-2863
1600	5	15	1	3	PSA 613 1600/5 15 1-WA 60X10 85-30	77119-2873
400	1	10	1	3	PSA 613 400/1 10 1-WA 60X10 85-30	77119-6963
500	1	10	1	3	PSA 613 500/1 10 1-WA 60X10 85-30	77119-7063
600	1	10	1	3	PSA 613 600/1 10 1-WA 60X10 85-30	77119-7163
750	1	10	1	3	PSA 613 750/1 10 1-WA 60X10 85-30	77119-7263
800	1	10	1	3	PSA 613 800/1 10 1-WA 60X10 85-30	77119-7363
1000	1	10	1	3	PSA 613 1000/1 10 1-WA 60X10 85-30	77119-7463
1200	1	10	1	3	PSA 613 1200/1 10 1-WA 60X10 85-30	77119-7563
1250	1	10	1	3	PSA 613 1250/1 10 1-WA 60X10 85-30	77119-7663
1500	1	10	1	3	PSA 613 1500/1 10 1-WA 60X10 85-30	77119-7763
1600	1	10	1	3	PSA 613 1600/1 10 1-WA 60X10 85-30	77119-7863

Measurement and Communication



77121-1942

## PSA 633 window-type current transformer

### Features:

- Primary busbar 60 x 30 mm, accuracy class 0.5

Primary current	Secondary current	VA	Accuracy class	PU	Product designation	Order no.
800	5	10	0,5	3	PSA 633 800/5 10 0,5-WA 60X30 90-30	77121-2362
1000	5	10	0,5	3	PSA 633 1000/5 10 0,5-WA 60X30 90-30	77121-2462
1200	5	10	0,5	3	PSA 633 1200/5 10 0,5-WA 60X30 90-30	77121-2562
1250	5	10	0,5	3	PSA 633 1250/5 10 0,5-WA 60X30 90-30	77121-2662
1500	5	10	0,5	3	PSA 633 1500/5 10 0,5-WA 60X30 90-30	77121-2762
1600	5	10	0,5	3	PSA 633 1600/5 10 0,5-WA 60X30 90-30	77121-2862
800	1	10	0,5	3	PSA 633 800/1 10 0,5-WA 60X30 90-30	77121-7362
1000	1	10	0,5	3	PSA 633 1000/1 10 0,5-WA 60X30 90-30	77121-7462
1200	1	10	0,5	3	PSA 633 1200/1 10 0,5-WA 60X30 90-30	77121-7562
1250	1	10	0,5	3	PSA 633 1250/1 10 0,5-WA 60X30 90-30	77121-7662
1500	1	10	0,5	3	PSA 633 1500/1 10 0,5-WA 60X30 90-30	77121-7762

## Window-type current transformers

► Technical data, page 324



77121-1942

### PSA 633 window-type current transformer

**Features:**

- Primary busbar 60 x 30 mm, accuracy class 0.5

Primary current	Secondary current	VA	Accuracy class	PU	Product designation	Order no.
1600	1	10	0,5	3	PSA 633 1600/1 10 0,5-WA 60X30 90-30	<b>77121-7862</b>



77121-2473

### PSA 633 window-type current transformer

**Features:**

- Primary busbar 60 x 30 mm, accuracy class 1

Primary current	Secondary current	VA	Accuracy class	PU	Product designation	Order no.
800	5	10	1	3	PSA 633 800/5 10 1-WA 60X30 90-30	<b>77121-2363</b>
800	5	15	1	3	PSA 633 800/5 15 1-WA 60X30 90-30	<b>77121-2373</b>
1000	5	10	1	3	PSA 633 1000/5 10 1-WA 60X30 90-30	<b>77121-2463</b>
1250	5	15	1	3	PSA 633 1250/5 15 1-WA 60X30 90-30	<b>77121-2673</b>
1000	5	15	1	3	PSA 633 1000/5 15 1-WA 60X30 90-30	<b>77121-2473</b>
1200	5	10	1	3	PSA 633 1200/5 10 1-WA 60X30 90-30	<b>77121-2563</b>
1200	5	15	1	3	PSA 633 1200/5 15 1-WA 60X30 90-30	<b>77121-2573</b>
1250	5	10	1	3	PSA 633 1250/5 10 1-WA 60X30 90-30	<b>77121-2663</b>
1500	5	10	1	3	PSA 633 1500/5 10 1-WA 60X30 90-30	<b>77121-2763</b>
1500	5	15	1	3	PSA 633 1500/5 15 1-WA 60X30 90-30	<b>77121-2773</b>
1600	5	10	1	3	PSA 633 1600/5 10 1-WA 60X30 90-30	<b>77121-2863</b>
1600	5	15	1	3	PSA 633 1600/5 15 1-WA 60X30 90-30	<b>77121-2873</b>
800	1	10	1	3	PSA 633 800/1 10 1-WA 60X30 90-30	<b>77121-7363</b>
800	1	15	1	3	PSA 633 800/1 15 1-WA 60X30 90-30	<b>77121-7373</b>
1000	1	10	1	3	PSA 633 1000/1 10 1-WA 60X30 90-30	<b>77121-7463</b>
1000	1	15	1	3	PSA 633 1000/1 15 1-WA 60X30 90-30	<b>77121-7473</b>
1200	1	10	1	3	PSA 633 1200/1 10 1-WA 60X30 90-30	<b>77121-7563</b>
1200	1	15	1	3	PSA 633 1200/1 15 1-WA 60X30 90-30	<b>77121-7573</b>
1250	1	10	1	3	PSA 633 1250/1 10 1-WA 60X30 90-30	<b>77121-7663</b>
1250	1	15	1	3	PSA 633 1250/1 15 1-WA 60X30 90-30	<b>77121-7673</b>
1500	1	10	1	3	PSA 633 1500/1 10 1-WA 60X30 90-30	<b>77121-7763</b>
1500	1	15	1	3	PSA 633 1500/1 15 1-WA 60X30 90-30	<b>77121-7773</b>
1600	1	10	1	3	PSA 633 1600/1 10 1-WA 60X30 90-30	<b>77121-7863</b>
1600	1	15	1	3	PSA 633 1600/1 15 1-WA 60X30 90-30	<b>77121-7873</b>



77124-1942

### PSA 814 window-type current transformer

**Features:**

- Primary busbar 80 x 10 (60 x 30) mm, accuracy class 0.5

Primary current	Secondary current	VA	Accuracy class	PU	Product designation	Order no.
400	5	5	0,5	3	PSA 814 400/5 5,0 0,5-WA 80X10 100-40	<b>77124-1942</b>
500	5	5	0,5	3	PSA 814 500/5 5,0 0,5-WA 80X10 100-40	<b>77124-2042</b>
500	5	10	0,5	3	PSA 814 500/5 10 0,5-WA 80X10 100-40	<b>77124-2062</b>
600	5	10	0,5	3	PSA 814 600/5 10 0,5-WA 80X10 100-40	<b>77124-2162</b>
600	5	15	0,5	3	PSA 814 600/5 15 0,5-WA 80X10 100-40	<b>77124-2172</b>
800	5	10	0,5	3	PSA 814 800/5 10 0,5-WA 80X10 100-40	<b>77124-2362</b>
800	5	15	0,5	3	PSA 814 800/5 15 0,5-WA 80X10 100-40	<b>77124-2372</b>
1000	5	10	0,5	3	PSA 814 1000/5 10 0,5-WA 80X10 100-40	<b>77124-2462</b>
1000	5	15	0,5	3	PSA 814 1000/5 15 0,5-WA 80X10 100-40	<b>77124-2472</b>
1200	5	10	0,5	3	PSA 814 1200/5 10 0,5-WA 80X10 100-40	<b>77124-2562</b>
1200	5	15	0,5	3	PSA 814 1200/5 15 0,5-WA 80X10 100-40	<b>77124-2572</b>
1250	5	10	0,5	3	PSA 814 1250/5 10 0,5-WA 80X10 100-40	<b>77124-2662</b>
1250	5	15	0,5	3	PSA 814 1250/5 15 0,5-WA 80X10 100-40	<b>77124-2672</b>
1500	5	10	0,5	3	PSA 814 1500/5 10 0,5-WA 80X10 100-40	<b>77124-2762</b>

# Window-type current transformers

► Technical data, page 325



77124-1942

## PSA 814 window-type current transformer

### Features:

- Primary busbar 80 x 10 (60 x 30) mm, accuracy class 0.5

Primary current	Secondary current	VA	Accuracy class	PU	Product designation	Order no.
1500	5	15	0,5	3	PSA 814 1500/5 15 0,5-WA 80X10 100-40	<b>77124-2772</b>
1600	5	10	0,5	3	PSA 814 1600/5 10 0,5-WA 80X10 100-40	<b>77124-2862</b>
1600	5	15	0,5	3	PSA 814 1600/5 15 0,5-WA 80X10 100-40	<b>77124-2872</b>
2000	5	10	0,5	3	PSA 814 2000/5 10 0,5-WA 80X10 100-40	<b>77124-2962</b>
2000	5	15	0,5	3	PSA 814 2000/5 15 0,5-WA 80X10 100-40	<b>77124-2972</b>
400	1	10	0,5	3	PSA 814 400/1 10 0,5-WA 80X10 100-40	<b>77124-6962</b>
500	1	10	0,5	3	PSA 814 500/1 10 0,5-WA 80X10 100-40	<b>77124-7062</b>
600	1	10	0,5	3	PSA 814 600/1 10 0,5-WA 80X10 100-40	<b>77124-7162</b>
800	1	10	0,5	3	PSA 814 800/1 10 0,5-WA 80X10 100-40	<b>77124-7362</b>
1000	1	10	0,5	3	PSA 814 1000/1 10 0,5-WA 80X10 100-40	<b>77124-7462</b>
1200	1	10	0,5	3	PSA 814 1200/1 10 0,5-WA 80X10 100-40	<b>77124-7562</b>
1250	1	10	0,5	3	PSA 814 1250/1 10 0,5-WA 80X10 100-40	<b>77124-7662</b>
1500	1	10	0,5	3	PSA 814 1500/1 10 0,5-WA 80X10 100-40	<b>77124-7762</b>
1600	1	10	0,5	3	PSA 814 1600/1 10 0,5-WA 80X10 100-40	<b>77124-7862</b>
2000	1	10	0,5	3	PSA 814 2000/1 10 0,5-WA 80X10 100-40	<b>77124-7962</b>



77124-2963

## PSA 814 window-type current transformer

### Features:

- Primary busbar 80 x 10 (60 x 30) mm, accuracy class 1

Primary current	Secondary current	VA	Accuracy class	PU	Product designation	Order no.
400	5	5	1	3	PSA 814 400/5 5,0 1-WA 80X10 100-40	<b>77124-1943</b>
400	5	10	1	3	PSA 814 400/5 10 1-WA 80X10 100-40	<b>77124-1963</b>
500	5	5	1	3	PSA 814 500/5 5,0 1-WA 80X10 100-40	<b>77124-2043</b>
500	5	10	1	3	PSA 814 500/5 10 1-WA 80X10 100-40	<b>77124-2063</b>
600	5	10	1	3	PSA 814 600/5 10 1-WA 80X10 100-40	<b>77124-2163</b>
600	5	15	1	3	PSA 814 600/5 15 1-WA 80X10 100-40	<b>77124-2173</b>
800	5	10	1	3	PSA 814 800/5 10 1-WA 80X10 100-40	<b>77124-2363</b>
800	5	15	1	3	PSA 814 800/5 15 1-WA 80X10 100-40	<b>77124-2373</b>
1000	5	10	1	3	PSA 814 1000/5 10 1-WA 80X10 100-40	<b>77124-2463</b>
1000	5	15	1	3	PSA 814 1000/5 15 1-WA 80X10 100-40	<b>77124-2473</b>
1200	5	10	1	3	PSA 814 1200/5 10 1-WA 80X10 100-40	<b>77124-2563</b>
1200	5	15	1	3	PSA 814 1200/5 15 1-WA 80X10 100-40	<b>77124-2573</b>
1250	5	10	1	3	PSA 814 1250/5 10 1-WA 80X10 100-40	<b>77124-2663</b>
1250	5	15	1	3	PSA 814 1250/5 15 1-WA 80X10 100-40	<b>77124-2673</b>
1500	5	10	1	3	PSA 814 1500/5 10 1-WA 80X10 100-40	<b>77124-2763</b>
1500	5	15	1	3	PSA 814 1500/5 15 1-WA 80X10 100-40	<b>77124-2773</b>
1600	5	10	1	3	PSA 814 1600/5 10 1-WA 80X10 100-40	<b>77124-2863</b>
2000	5	10	1	3	PSA 814 2000/5 10 1-WA 80X10 100-40	<b>77124-2963</b>
400	1	10	1	3	PSA 814 400/1 10 1-WA 80X10 100-40	<b>77124-6963</b>
500	1	10	1	3	PSA 814 500/1 10 1-WA 80X10 100-40	<b>77124-7063</b>
600	1	10	1	3	PSA 814 600/1 10 1-WA 80X10 100-40	<b>77124-7163</b>
800	1	10	1	3	PSA 814 800/1 10 1-WA 80X10 100-40	<b>77124-7363</b>
1000	1	10	1	3	PSA 814 1000/1 10 1-WA 80X10 100-40	<b>77124-7463</b>
1200	1	10	1	3	PSA 814 1200/1 10 1-WA 80X10 100-40	<b>77124-7563</b>
1250	1	10	1	3	PSA 814 1250/1 10 1-WA 80X10 100-40	<b>77124-7663</b>
1500	1	10	1	3	PSA 814 1500/1 10 1-WA 80X10 100-40	<b>77124-7763</b>
1600	1	10	1	3	PSA 814 1600/1 10 1-WA 80X10 100-40	<b>77124-7863</b>
2000	1	10	1	3	PSA 814 2000/1 10 1-WA 80X10 100-40	<b>77124-7963</b>

## Window-type current transformers

► Technical data, page 325



77125-2572

### PSA 1034 window-type current transformer

#### Features:

- Primary busbar 2 x 100 x 10 (80 x 50) mm, accuracy class 0.5

Primary current	Secondary current	VA	Accuracy class	PU	Product designation	Order no.
400	5	10	0,5	1	PSA 1034 400/5 10 0,5-WA 2X100X10 135-40	<b>77125-1962</b>
500	5	10	0,5	1	PSA 1034 500/5 10 0,5-WA 2X100X10 135-40	<b>77125-2062</b>
600	5	10	0,5	1	PSA 1034 600/5 10 0,5-WA 2X100X10 135-40	<b>77125-2162</b>
800	5	10	0,5	1	PSA 1034 800/5 10 0,5-WA 2X100X10 135-40	<b>77125-2362</b>
1000	5	10	0,5	1	PSA 1034 1000/5 10 0,5-WA2X100X10 135-40	<b>77125-2462</b>
1000	5	15	0,5	1	PSA 1034 1000/5 15 0,5-WA2X100X10 135-40	<b>77125-2472</b>
1200	5	10	0,5	1	PSA 1034 1200/5 10 0,5-WA2X100X10 135-40	<b>77125-2562</b>
1200	5	15	0,5	1	PSA 1034 1200/5 15 0,5-WA 2X100X10 135-40	<b>77125-2572</b>
1250	5	10	0,5	1	PSA 1034 1250/5 10 0,5-WA2X100X10 135-40	<b>77125-2662</b>
1250	5	15	0,5	1	PSA 1034 1250/5 15 0,5-WA2X100X10 135-40	<b>77125-2672</b>
1500	5	5	0,5	1	PSA 1034 1500/5 5 0,5-WA 2X100X10 135-40	<b>77125-2742</b>
1500	5	10	0,5	1	PSA 1034 1500/5 10 0,5-WA2X100X10 135-40	<b>77125-2762</b>
1500	5	15	0,5	1	PSA 1034 1500/5 15 0,5-WA2X100X10 135-40	<b>77125-2772</b>
1250	1	15	0,5	1	PSA 1034 1250/1 15 0,5-WA2X100X10 135-40	<b>77125-7672</b>
1500	1	10	0,5	1	PSA 1034 1500/1 10 0,5-WA2X100X10 135-40	<b>77125-7762</b>
1600	5	10	0,5	1	PSA 1034 1600/5 10 0,5-WA2X100X10 135-40	<b>77125-2862</b>
1600	5	15	0,5	1	PSA 1034 1600/5 15 0,5-WA2X100X10 135-40	<b>77125-2872</b>
2000	5	10	0,5	1	PSA 1034 2000/5 10 0,5-WA2X100X10 135-40	<b>77125-2962</b>
2000	5	15	0,5	1	PSA 1034 2000/5 15 0,5-WA2X100X10 135-40	<b>77125-2972</b>
2500	5	10	0,5	1	PSA 1034 2500/5 10 0,5-WA2X100X10 135-40	<b>77125-3162</b>
2500	5	15	0,5	1	PSA 1034 2500/5 15 0,5-WA2X100X10 135-40	<b>77125-3172</b>
3000	5	10	0,5	1	PSA 1034 3000/5 10 0,5-WA2X100X10 135-40	<b>77125-3262</b>
3000	5	15	0,5	1	PSA 1034 3000/5 15 0,5-WA2X100X10 135-40	<b>77125-3272</b>
4000	5	10	0,5	1	PSA 1034 4000/5 10 0,5-WA 2X100X10 135-40	<b>77125-3362</b>
4000	5	15	0,5	1	PSA 1034 4000/5 15 0,5-WA 2X100X10 135-40	<b>77125-3372</b>
400	1	10	0,5	1	PSA 1034 400/1 10 0,5-WA 2X100X10 135-40	<b>77125-6962</b>
500	1	10	0,5	1	PSA 1034 500/1 10 0,5-WA 2X100X10 135-40	<b>77125-7062</b>
600	1	10	0,5	1	PSA 1034 600/1 10 0,5-WA 2X100X10 135-40	<b>77125-7162</b>
800	1	10	0,5	1	PSA 1034 800/1 10 0,5-WA 2X100X10 135-40	<b>77125-7362</b>
1000	1	10	0,5	1	PSA 1034 1000/1 10 0,5-WA2X100X10 135-40	<b>77125-7462</b>
1200	1	10	0,5	1	PSA 1034 1200/1 10 0,5-WA 2X100X10 135-40	<b>77125-7562</b>
1200	1	15	0,5	1	PSA 1034 1200/1 15 0,5-WA 2X100X10 135-40	<b>77125-7572</b>
1250	1	10	0,5	1	PSA 1034 1250/1 10 0,5-WA2X100X10 135-40	<b>77125-7662</b>
1500	1	15	0,5	1	PSA 1034 1500/1 15 0,5-WA2X100X10 135-40	<b>77125-7772</b>
1600	1	10	0,5	1	PSA 1034 1600/1 10 0,5-WA 2X100X10 135-40	<b>77125-7862</b>
1600	1	15	0,5	1	PSA 1034 1600/1 15 0,5-WA 2X100X10 135-40	<b>77125-7872</b>
2000	1	10	0,5	1	PSA 1034 2000/1 10 0,5-WA2x100x10 135-40	<b>77125-7962</b>
2000	1	15	0,5	1	PSA 1034 2000/1 15 0,5-WA2X100X10 135-40	<b>77125-7972</b>
2500	1	10	0,5	1	PSA 1034 2500/1 10 0,5-WA2X100X10 135-40	<b>77125-8162</b>
2500	1	15	0,5	1	PSA 1034 2500/1 15 0,5-WA2X100X10 135-40	<b>77125-8172</b>
3000	1	10	0,5	1	PSA 1034 3000/1 10 0,5-WA 2X100X10 135-40	<b>77125-8262</b>
3000	1	15	0,5	1	PSA 1034 3000/1 15 0,5-WA2X100X10 135-40	<b>77125-8272</b>
4000	1	10	0,5	1	PSA 1034 4000/1 10 0,5-WA 2X100X10 135-40	<b>77125-8362</b>
4000	1	15	0,5	1	PSA 1034 4000/1 15 0,5-WA2X100X10 135-40	<b>77125-8372</b>



77125-2573

### PSA 1034 window-type current transformer

#### Features:

- Primary busbar 2 x 100 x 10 (80 x 50) mm, accuracy class 1

Primary current	Secondary current	VA	Accuracy class	PU	Product designation	Order no.
400	5	10	1	1	PSA 1034 400/5 10 1-WA 2X100X10 135-40	<b>77125-1963</b>
500	5	10	1	1	PSA 1034 500/5 10 1-WA 2X100X10 135-40	<b>77125-2063</b>
600	5	10	1	1	PSA 1034 600/5 10 1-WA 2X100X10 135-40	<b>77125-2163</b>
1000	5	30	1	1	PSA 1034 1000/5 30 1-WA 2X100X10 135-40	<b>77125-2483</b>
1200	5	10	1	1	PSA 1034 1200/5 10 1-WA 2X100X10 135-40	<b>77125-2563</b>
1200	5	15	1	1	PSA 1034 1200/5 15 1-WA 2X100X10 135-40	<b>77125-2573</b>

# Window-type current transformers

► Technical data, page 325



77125-2573

## PSA 1034 window-type current transformer

### Features:

- Primary busbar 2 x 100 x 10 (80 x 50) mm, accuracy class 1

Primary current	Secondary current	VA	Accuracy class	PU	Product designation	Order no.
1200	5	30	1	1	PSA 1034 1200/5 30 1-WA 2X100X10 135-40	<b>77125-2583</b>
1250	5	30	1	1	PSA 1034 1250/5 30 1-WA 2X100X10 135-40	<b>77125-2683</b>
1500	5	30	1	1	PSA 1034 1500/5 30 1-WA 2X100X10 135-40	<b>77125-2783</b>
1600	5	30	1	1	PSA 1034 1600/5 30 1-WA 2X100X10 135-40	<b>77125-2883</b>
2000	5	30	1	1	PSA 1034 2000/5 30 1-WA 2X100X10 135-40	<b>77125-2983</b>
2500	5	30	1	1	PSA 1034 2500/5 30 1-WA 2X100X10 135-40	<b>77125-3183</b>
3000	5	30	1	1	PSA 1034 3000/5 30 1-WA 2X100X10 135-40	<b>77125-3283</b>
4000	5	10	1	1	PSA 1034 4000/5 10 1-WA 2X100X10 135-40	<b>77125-3363</b>
4000	5	15	1	1	PSA 1034 4000/5 15 1-WA 2X100X10 135-40	<b>77125-3373</b>
400	1	10	1	1	PSA 1034 400/1 10 1-WA 2X100X10 135-40	<b>77125-6963</b>
500	1	10	1	1	PSA 1034 500/1 10 1-WA 2X100X10 135-40	<b>77125-7063</b>
600	1	10	1	1	PSA 1034 600/1 10 1-WA 2X100X10 135-40	<b>77125-7163</b>
800	1	10	1	1	PSA 1034 800/1 10 1-WA 2X100X10 135-40	<b>77125-7363</b>
800	1	15	1	1	PSA 1034 800/1 15 1-WA 2X100X10 135-40	<b>77125-7373</b>
1000	1	10	1	1	PSA 1034 1000/1 10 1-WA 2X100X10 135-40	<b>77125-7463</b>
1000	1	15	1	1	PSA 1034 1000/1 15 1-WA 2X100X10 135-40	<b>77125-7473</b>
1200	1	10	1	1	PSA 1034 1200/1 10 1-WA 2X100X10 135-40	<b>77125-7563</b>
1200	1	15	1	1	PSA 1034 1200/1 15 1-WA 2X100X10 135-40	<b>77125-7573</b>
1250	1	10	1	1	PSA 1034 1250/1 10 1-WA 2X100X10 135-40	<b>77125-7663</b>
1250	1	15	1	1	PSA 1034 1250/1 15 1-WA 2X100X10 135-40	<b>77125-7673</b>
1500	1	10	1	1	PSA 1034 1500/1 10 1-WA 2X100X10 135-40	<b>77125-7763</b>
1500	1	15	1	1	PSA 1034 1500/1 15 1-WA 2X100X10 135-40	<b>77125-7773</b>
1600	1	10	1	1	PSA 1034 1600/1 10 1-WA 2X100X10 135-40	<b>77125-7863</b>
1600	1	15	1	1	PSA 1034 1600/1 15 1-WA 2X100X10 135-40	<b>77125-7873</b>
2000	1	10	1	1	PSA 1034 2000/1 10 1-WA 2X100X10 135-40	<b>77125-7963</b>
2000	1	15	1	1	PSA 1034 2000/1 15 1-WA 2X100X10 135-40	<b>77125-7973</b>
2500	1	10	1	1	PSA 1034 2500/1 10 1-WA 2X100X10 135-40	<b>77125-8163</b>
2500	1	15	1	1	PSA 1034 2500/1 15 1-WA 2X100X10 135-40	<b>77125-8173</b>
3000	1	10	1	1	PSA 1034 3000/1 10 1-WA 2X100X10 135-40	<b>77125-8263</b>
3000	1	15	1	1	PSA 1034 3000/1 15 1-WA 2X100X10 135-40	<b>77125-8273</b>
4000	1	10	1	1	PSA 1034 4000/1 10 1-WA 2X100X10 135-40	<b>77125-8363</b>
4000	1	15	1	1	PSA 1034 4000/1 15 1-WA 2X100X10 135-40	<b>77125-8373</b>



77127-2972

## PSA 1254 window-type current transformer

### Features:

- Primary busbar 3 x 120 x 10 mm, accuracy class 0.5

Primary current	Secondary current	VA	Accuracy class	PU	Product designation	Order no.
1000	5	10	0,5	1	PSA 1254 1000/5 10 0,5-WA 3X120X10 160-40	<b>77127-2462</b>
1200	5	10	0,5	1	PSA 1254 1200/5 10 0,5-WA 3X120X10 160-40	<b>77127-2562</b>
1250	5	10	0,5	1	PSA 1254 1250/5 10 0,5-WA 3X120X10 160-40	<b>77127-2662</b>
1500	5	10	0,5	1	PSA 1254 1500/5 10 0,5-WA 3X120X10 160-40	<b>77127-2762</b>
1500	5	10	0,5	1	PSA 1254 1500/5 10 0,5-WA 3X120X10 160-40	<b>77127-2762</b>
1600	5	10	0,5	1	PSA 1254 1600/5 10 0,5-WA 3X120X10 160-40	<b>77127-2862</b>
2000	5	10	0,5	1	PSA 1254 2000/2 10 0,5 - WA 3x120x10 160-40	<b>77127-2962</b>
2500	5	10	0,5	1	PSA 1254 2500/2 10 0,5 - WA 3x120x10 160-40	<b>77127-3162</b>
3000	5	10	0,5	1	PSA 1254 3000/5 10 0,5-WA 3X120X10 160-4	<b>77127-3262</b>
4000	5	10	0,5	1	PSA 1254 4000/2 10 0,5 - WA 3x120x10 160-40	<b>77127-3362</b>
5000	5	10	0,5	1	PSA 1254 5000/2 10 0,5 - WA 3x120x10 160-40	<b>77127-3462</b>
1000	1	10	0,5	1	PSA 1254 1000/1 10 0,5-WA3X120X10 160-40	<b>77127-7462</b>
1200	1	10	0,5	1	PSA 1254 1200/1 10 0,5-WA3X120X10 160-40	<b>77127-7562</b>
1250	1	10	0,5	1	PSA 1254 1250/1 10 0,5-WA3X120X10 160-40	<b>77127-7662</b>
1500	1	10	0,5	1	PSA 1254 1500/1 10 0,5-WA3X120X10 160-40	<b>77127-7762</b>
1600	1	10	0,5	1	PSA 1254 1600/1 10 0,5-WA3X120X10 160-40	<b>77127-7862</b>
2000	1	10	0,5	1	PSA 1254 2000/1 10 0,5-WA3X120X10 160-40	<b>77127-7962</b>
2500	1	10	0,5	1	PSA 1254 2500/1 10 0,5-WA 3X120X10 160-4	<b>77127-8162</b>

## Window-type current transformers

► Technical data, page 325



77127-2972

### PSA 1254 window-type current transformer

**Features:**

- Primary busbar 3 x 120 x 10 mm, accuracy class 0.5

Primary current	Secondary current	VA	Accuracy class	PU	Product designation	Order no.
3000	1	10	0,5	1	PSA 1254 3000/1 10 0,5-WA3X120X10 160-40	<b>77127-8262</b>
4000	1	10	0,5	1	PSA 1254 4000/1 10 0,5-WA 3X120X10 160-40	<b>77127-8362</b>
5000	1	10	0,5	1	PSA 1274 5000/2 15 1 - WA 4x120x10 160-40	<b>77127-8462</b>



77127-2973

### PSA 1254 window-type current transformer

**Features:**

- Primary busbar 3 x 120 x 10 mm, accuracy class 1

Primary current	Secondary current	VA	Accuracy class	PU	Product designation	Order no.
800	5	15	1	1	PSA 1254 800/5 15 1-WA 3X120X10 160-40	<b>77127-2373</b>
1000	5	15	1	1	PSA 1254 1000/5 15 1-WA 3X120X10 160-40	<b>77127-2473</b>
1200	5	15	1	1	PSA 1254 1200/5 15 1-WA 3X120X10 160-40	<b>77127-2573</b>
1250	5	15	1	1	PSA 1254 1250/5 15 1-WA 3X120X10 160-40	<b>77127-2673</b>
1500	5	15	1	1	PSA 1254 1500/5 15 1-WA 3X120X10 160-40	<b>77127-2773</b>
1600	5	15	1	1	PSA 1254 1600/5 15 1-WA 3X120X10 160-40	<b>77127-2873</b>
2000	5	15	1	1	PSA 1254 2000/5 15 1-WA 3X120X10 160-40	<b>77127-2973</b>
2500	5	15	1	1	PSA 1254 2500/5 15 1-WA 3X120X10 160-40	<b>77127-3173</b>
3000	5	15	1	1	PSA 1254 3000/5 15 1-WA 3X120X10 160-40	<b>77127-3273</b>
4000	5	15	1	1	PSA 1254 4000/5 15 1-WA 3X120X10 160-40	<b>77127-3373</b>
800	1	15	1	1	PSA 1254 800/1 15 1-WA 3X120X10 160-40	<b>77127-7373</b>
1000	1	15	1	1	PSA 1254 1000/1 15 1-WA 3X120X10 160-40	<b>77127-7473</b>
1200	1	15	1	1	PSA 1254 1200/1 15 1-WA3X120X10 160-40	<b>77127-7573</b>
1250	1	15	1	1	PSA 1254 1250/1 15 1-WA3X120X10 160-40	<b>77127-7673</b>
1500	1	15	1	1	PSA 1254 1500/1 15 1-WA3X120X10 160-40	<b>77127-7773</b>
1600	1	15	1	1	PSA 1254 1600/1 15 1-WA3X120X10 160-40	<b>77127-7873</b>
2000	1	15	1	1	PSA 1254 2000/1 15 1-WA3X120X10 160-40	<b>77127-7973</b>
2500	1	15	1	1	PSA 1254 2500/1 15 1-WA 3X120X10 160-40	<b>77127-8173</b>
3000	1	15	1	1	PSA 1254 3000/1 15 1-WA 3X120X10 160-40	<b>77127-8273</b>
4000	1	15	1	1	PSA 1254 4000/1 15 1-WA 3X120X10 160-4	<b>77127-8373</b>
5000	1	15	1	1	PSA 1254 5000/1 15 1-WA 3X120X10 160-40	<b>77127-8473</b>



77128-2862

### PSA 1274 window-type current transformer

**Features:**

- Primary busbar 4 x 120 x 10 mm, accuracy class 0.5

Primary current	Secondary current	VA	Accuracy class	PU	Product designation	Order no.
1600	5	10	0,5	1	PSA 1274 1600/5 10 0,5-WA4X120X10 160-40	<b>77128-2862</b>
2000	5	10	0,5	1	PSA 1274 2000/5 10 0,5-WA3X120X10 160-40	<b>77128-2962</b>
2500	5	10	0,5	1	PSA1274 2500/5 10 0,5-WA 4x120x10 160-40	<b>77128-3162</b>
3000	5	10	0,5	1	PSA 1274 3000/5 10 0,5-WA4X120X10 160-40	<b>77128-3262</b>
4000	5	10	0,5	1	PSA 1274 4000/5 10 0,5-WA4X120X10 160-40	<b>77128-3362</b>
1600	1	10	0,5	1	PSA 1274 1600/1 10 0,5-WA 4X120X10 160-4	<b>77128-7862</b>
2000	1	10	0,5	1	PSA 1274 2000/1 10 0,5-WA 4X120X10 160-4	<b>77128-7962</b>
2500	1	10	0,5	1	PSA 1274 2500/1 10 0,5-WA 4X120X10 160-4	<b>77128-8162</b>
3000	1	10	0,5	1	PSA 1274 3000/1 10 0,5-WA 4X120X10 160-40	<b>77128-8262</b>
4000	1	10	0,5	1	PSA 1274 4000/1 10 0,5-WA 4X120X10 160-40	<b>77128-8362</b>

## Window-type current transformers

► Technical data, page 325



77128-2863

### PSA 1274 window-type current transformer

#### Features:

- Primary busbar 4 x 120 x 10 mm, accuracy class 1

Primary current	Secondary current	VA	Accuracy class	PU	Product designation	Order no.
1600	5	15	1	1	PSA 1274 1600/5 15 1-WA 3X120X10 160-40	<b>77128-2873</b>
2000	5	15	1	1	PSA 1274 2000/5 15 1-WA 4X120X10 160-40	<b>77128-2973</b>
2500	5	15	1	1	PSA 1274 2500/5 15 1-WA 4X120X10 160-40	<b>77128-3173</b>
3000	5	15	1	1	PSA 1274 3000/5 15 1-WA 4X120X10 160-40	<b>77128-3273</b>
4000	5	10	1	1	PSA 1274 4000/5 10 1-WA 4X120X10 160-40	<b>77128-3363</b>
4000	5	15	1	1	PSA 1274 4000/5 15 1-WA 4X120X10 160-40	<b>77128-3373</b>
5000	5	15	1	1	PSA 1274 5000/1 15 1-WA 4X120X10 160-40	<b>77128-3473</b>
1600	1	15	1	1	PSA 1274 1600/1 15 1-WA 4X120X10 160-4	<b>77128-7873</b>
2000	1	15	1	1	PSA 1274 2000/1 15 1-WA 4X120X10 160-4	<b>77128-7973</b>
2500	1	15	1	1	PSA 1274 2500/1 15 1-WA 4X120X10 160-4	<b>77128-8173</b>
3000	1	15	1	1	PSA 1274 3000/1 15 1-WA 4X120X10 160-40	<b>77128-8273</b>
4000	1	15	1	1	PSA 1274 4000/1 15 1-WA 4X120X10 160-40	<b>77128-8373</b>
5000	1	15	1	1	PSA 1274 5000/1 15 1-WA 4X120X10 160-40	<b>77128-8473</b>

## Tube-type current transformers

► Technical data, page 326



77251-1322

### PSR 200 tube-type current transformer

**Features:**

- Diameter 21 mm<sup>2</sup>, accuracy class 0.5

Primary current	Secondary current	VA	Accuracy class	PU	Product designation	Order no.
100	5	1,5	0,5	3	PSR 200 100/5 1,5 0,5-WR 21 44-30	<b>77251-1322</b>
125	5	1,5	0,5	3	PSR 200 125/5 1,5 0,5-WR 21 44-30	<b>77251-1422</b>
150	5	1,5	0,5	3	PSR 200 150/5 2,5 0,5-WR 21 44-30	<b>77251-1522</b>
200	5	2,5	0,5	3	PSR 200 200/5 2,5 0,5-WR 21 44-30	<b>77251-1632</b>
250	5	5	0,5	3	PSR 200 250/5 5,0 0,5-WR 21 44-30	<b>77251-1742</b>
300	5	5	0,5	3	PSR 200 300/5 5,0 0,5-WR 21 44-30	<b>77251-1842</b>
100	1	1,5	0,5	3	PSR 200 100/1 1,5 0,5-WR 21 44-30	<b>77251-6322</b>
125	1	1,5	0,5	3	PSR 200 125/1 1,5 0,5-WR 21 44-30	<b>77251-6422</b>
150	1	1,5	0,5	3	PSR 200 150/1 1,5 0,5-WR 21 44-30	<b>77251-6522</b>
200	1	2,5	0,5	3	PSR 200 200/1 2,5 0,5-WR 21 44-30	<b>77251-6632</b>
250	1	5	0,5	3	PSR 200 250/1 5,0 0,5WR 21 44-30	<b>77251-6742</b>
300	1	5	0,5	3	PSR 200 300/1 5,0 0,5-WR 21 44-30	<b>77251-6842</b>



77251-0913

### PSR 200 tube-type current transformer

**Features:**

- Diameter 21 mm<sup>2</sup>, accuracy class 1

Primary current	Secondary current	VA	Accuracy class	PU	Product designation	Order no.
50	5	1	1	3	PSR 200 50/5 1,0 1-WR 21 44-30	<b>77251-0913</b>
60	5	1,5	1	3	PSR 200 60/5 1,5 1-WR 21 44-30	<b>77251-1023</b>
75	5	2	1	3	PSR 200 75/5 2,0 1-WR 21 44-30	<b>77251-1193</b>
80	5	1,5	1	3	PSR 200 80/5 1,5 1-WR 21 44-30	<b>77251-1223</b>
80	5	2	1	3	PSR 200 80/5 2,0 1-WR 21 44-30	<b>77251-1293</b>
100	5	2,5	1	3	PSR 200 100/5 2,5 1-WR 21 44-30	<b>77251-1333</b>
125	5	2,5	1	3	PSR 200 125/5 2,5 1-WR 21 44-30	<b>77251-1433</b>
150	5	2,5	1	3	PSR 200 150/5 2,5 1-WR 21 44-30	<b>77251-1533</b>
200	5	5	1	3	PSR 200 200/5 5,0 1-WR 21 44-30	<b>77251-1643</b>
250	5	5	1	3	PSR 200 250/5 2,5 1-WR 21 44-30	<b>77251-1733</b>
250	5	5	1	3	PSR 200 250/5 5,0 1-WR 21 44-30	<b>77251-1743</b>
300	5	5	1	3	PSR 200 300/5 5,0 1-WR 21 44-30	<b>77251-1843</b>
50	1	1	1	3	PSR 200 50/1 1,0 1-WR 21 44-30	<b>77251-5913</b>
60	1	1	1	3	PSR 200 60/1 1,0 1-WR 21 44-30	<b>77251-6013</b>
60	1	1,5	1	3	PSR 200 60/1 1,5 1-WR 21 44-30	<b>77251-6023</b>
75	1	2	1	3	PSR 200 75/1 2,0 1-WR 21 44-30	<b>77251-6193</b>
80	1	2	1	3	PSR 200 80/1 2,0 1-WR 21 44-30	<b>77251-6293</b>
100	1	2,5	1	3	PSR 200 100/1 2,5 1-WR 21 44-30	<b>77251-6333</b>
125	1	2,5	1	3	PSR 200 125/1 2,5 1-WR 21 44-30	<b>77251-6433</b>
150	1	2,5	1	3	PSR 200 150/1 2,5 1-WR 21 44-30	<b>77251-6533</b>
200	1	2,5	1	3	PSR 200 200/1 2,5 1-WR 21 44-30	<b>77251-6633</b>
250	1	5	1	3	PSR 200 250/1 5,0 1-WR 21 44-30	<b>77251-6743</b>
300	1	5	1	3	PSR 200 300/1 5,0 1-WR 21 44-30	<b>77251-6843</b>



77252-1322

### PSR 201 tube-type current transformer

**Features:**

- Diameter 21 mm<sup>2</sup>, accuracy class 0.5

Primary current	Secondary current	VA	Accuracy class	PU	Product designation	Order no.
125	5	1,5	0,5	3	PSR 200.1 125/5 1,5 0,5-WR 21 44-30-S	<b>77252-1422</b>

## Tube-type current transformers

► Technical data, page 326



77252-0913

### PSR 201 tube-type current transformer

#### Features:

- Diameter 21 mm<sup>2</sup>, accuracy class 1

Primary current	Secondary current	VA	Accuracy class	PU	Product designation	Order no.
50	5	1	1	3	PSR 200.1 50/5 1,0 1-WR 21 44-30-S	<b>77252-0913</b>
60	5	1,5	1	3	PSR 200.1 60/5 1,5 1-WR 21 44-30-S	<b>77252-1023</b>
75	5	2	1	3	PSR 200.1 75/5 2 1-WR 21 44-30-S	<b>77252-1193</b>
100	5	2,5	1	3	PSR 200.1 100/5 2,5 1-WR 21 44-30-S	<b>77252-1333</b>
125	5	2,5	1	3	PSR 200.1 125/5 2,5 1-WR 21 44-30-S	<b>77252-1433</b>
150	5	2,5	1	3	PSR 200.1 150/5 2,5 1-WR 21 44-30-S	<b>77252-1533</b>
200	5	5	1	3	PSR 200.1 200/5 5,0 1-WR 21 44-30-S	<b>77252-1643</b>
250	5	5	1	3	PSR 200.1 250/5 5,0 1-WR 21 44-30-S	<b>77252-1743</b>
50	1	1	1	3	PSR 200.1 50/1 1,0 1-WR 21 44-30-S	<b>77252-5913</b>
60	1	1,5	1	3	PSR 200.1 60/1 1,5 1-WR 21 44-30-S	<b>77252-6023</b>
75	1	2	1	3	PSR 200.1 75/1 2,0 1-WR 21 44-30-S	<b>77252-6193</b>
100	1	2,5	1	3	PSR 200.1 100/1 2,5 1-WR 21 44-30-S	<b>77252-6333</b>
125	1	2,5	1	3	PSR 200.1 125/1 2,5 1-WR 21 44-30-S	<b>77252-6433</b>
150	1	2,5	1	3	PSR 200.1 150/1 2,5 1-WR 21 44-30-S	<b>77252-6533</b>
250	1	5	1	3	PSR 200.1 250/1 5,0 1-WR 21 44-30-S	<b>77252-6743</b>



77253-1432

### PSR 203 tube-type current transformer

#### Features:

- Diameter 21 mm<sup>2</sup>, accuracy class 0.5

Primary current	Secondary current	VA	Accuracy class	PU	Product designation	Order no.
125	5	2,5	0,5	3	PSR 203 125/5 2,5 0,5-WR 21 50-30	<b>77253-1432</b>
150	5	2,5	0,5	3	PSR 203 150/5 2,5 0,5-WR 21 50-30	<b>77253-1532</b>
200	5	2,5	0,5	3	PSR 203 200/5 2,5 0,5-WR 21 50-30	<b>77253-1632</b>
250	5	2,5	0,5	3	PSR 203 250/5 2,5 0,5-WR 21 50-30	<b>77253-1732</b>
300	5	5	0,5	3	PSR 203 300/5 5,0 0,5-WR 21 50-30	<b>77253-1842</b>
125	1	2,5	0,5	3	PSR 203 125/1 5 0,5-WR 21 50-30	<b>77253-6432</b>
150	1	2,5	0,5	3	PSR 203 150/1 2,5 0,5-WR 21 50-30	<b>77253-6532</b>
200	1	2,5	0,5	3	PSR 203 200/1 2,5 0,5-WR 21 50-30	<b>77253-6632</b>
250	1	2,5	0,5	3	PSR 203 250/1 2,5 0,5-WR 21 50-30	<b>77253-6732</b>
300	1	5	0,5	3	PSR 203 300/1 5,0 0,5-WR 21 50-30	<b>77253-6842</b>



77253-1333

### PSR 203 tube-type current transformer

#### Features:

- Diameter 21 mm<sup>2</sup>, accuracy class 1

Primary current	Secondary current	VA	Accuracy class	PU	Product designation	Order no.
75	5	2,5	1	3	PSR 203 75/5 2,5 1-WR 21 50-30	<b>77253-1133</b>
80	5	2,5	1	3	PSR 203 80/5 2,5 1-WR 21 50-30	<b>77253-1233</b>
100	5	2,5	1	3	PSR 203 100/5 2,5 1-WR 21 50-30	<b>77253-1333</b>
125	5	2,5	1	3	PSR 203 125/5 2,5 1-WR 21 50-30	<b>77253-1433</b>
150	5	5	1	3	PSR 203 150/5 5 1-WR 21 50-30	<b>77253-1543</b>
200	5	5	1	3	PSR 203 200/5 5,0 1-WR 21 50-30	<b>77253-1643</b>
250	5	5	1	3	PSR 203 250/5 5,0 1-WR 21 50-30	<b>77253-1743</b>
300	5	5	1	3	PSR 203 300/5 5,0 1-WR 21 50-30	<b>77253-1843</b>
75	1	2,5	1	3	PSR 203 75/1 2,5 1-WR 21 50-30	<b>77253-6133</b>
80	1	2,5	1	3	PSR 203 80/1 2,5 1-WR 21 50-30	<b>77253-6233</b>
100	1	2,5	1	3	PSR 203 100/1 2,5 1-WR 21 50-30	<b>77253-6333</b>
125	1	2,5	1	3	PSR 203 125/1 2,5 1-WR 21 50-30	<b>77253-6433</b>
150	1	5	1	3	PSR 203 150/1 5,0 1-WR 21 50-30	<b>77253-6543</b>
200	1	5	1	3	PSR 203 200/1 5,0 1-WR 21 50-30	<b>77253-6643</b>
250	1	5	1	3	PSR 203 250/1 5,0 1-WR 21 50-30	<b>77253-6743</b>
300	1	5	1	3	PSR 203 300/1 5,0 1-WR 21 50-30	<b>77253-6843</b>

## Tube-type current transformers

► Technical data, page 326



77254-0922

### PSR 205 tube-type current transformer

**Features:**

- Diameter 21 mm<sup>2</sup>, accuracy class 0.5

Primary current	Secondary current	VA	Accuracy class	PU	Product designation	Order no.
60	5	1,5	0,5	3	PSR 205 60/5 1,5 0,5-WR 21 50-50	<b>77254-1022</b>
75	5	1,5	0,5	3	PSR 205 75/5 1,5 0,5-WR 21 50-50	<b>77254-1122</b>
80	5	2,5	0,5	3	PSR 205 80/5 2,5 0,5-WR 21 50-50	<b>77254-1232</b>
100	5	2,5	0,5	3	PSR 205 100/5 2,5 0,5-WR 21 50-50	<b>77254-1332</b>
125	5	5	0,5	3	PSR 205 125/5 5,0 0,5-WR 21 50-50	<b>77254-1442</b>
150	5	5	0,5	3	PSR 205 150/5 5 0,5-WR 21 50-50	<b>77254-1542</b>
200	5	5	0,5	3	PSR 205 200/5 5 0,5-WR 21 50-50	<b>77254-1642</b>
250	5	5	0,5	3	PSR 205 250/5 5 0,5-WR 21 50-50	<b>77254-1742</b>
300	5	5	0,5	3	PSR 205 300/5 5 0,5-WR 21 50-50	<b>77254-1842</b>
50	1	1,5	0,5	3	PSR 205 50/1 1,5 0,5-WR 21 50-50	<b>77254-5922</b>
60	1	1,5	0,5	3	PSR 205 60/1 1,5 0,5-WR 21 50-50	<b>77254-6022</b>
75	1	1,5	0,5	3	PSR 205 75/1 1,5 0,5-WR 21 50-50	<b>77254-6122</b>
80	1	2,5	0,5	3	PSR 205 80/1 2,5 0,5-WR 21 50-50	<b>77254-6232</b>
100	1	2,5	0,5	3	PSR 205 100/1 2,5 0,5-WR 21 50-50	<b>77254-6332</b>
125	1	5	0,5	3	PSR 205 125/1 5 0,5-WR 21 50-50	<b>77254-6442</b>
150	1	5	0,5	3	PSR 205 150/1 5 0,5-WR 21 50-50	<b>77254-6542</b>
200	1	5	0,5	3	PSR 205 200/1 5 0,5-WR 21 50-50	<b>77254-6642</b>
250	1	5	0,5	3	PSR 205 250/1 5 0,5-WR 21 50-50	<b>77254-6742</b>
300	1	5	0,5	3	PSR 205 300/1 5 0,5-WR 21 50-50	<b>77254-6842</b>



77254-0933

### PSR 205 tube-type current transformer

**Features:**

- Diameter 21 mm<sup>2</sup>, accuracy class 1

Primary current	Secondary current	VA	Accuracy class	PU	Product designation	Order no.
50	5	2,5	1	3	PSR 205 50/5 2,5 1-WR 21 50-50	<b>77254-0933</b>
60	5	2,5	1	3	PSR 205 60/5 2,5 1-WR 21 50-50	<b>77254-1033</b>
75	5	2,5	1	3	PSR 205 75/5 2,5 1-WR 21 50-50	<b>77254-1133</b>
80	5	5	1	3	PSR 205 80/5 5,0 1-WR 21 50-50	<b>77254-1243</b>
100	5	5	1	3	PSR 205 100/5 5,0 1-WR 21 50-50	<b>77254-1343</b>
125	5	5	1	3	PSR 205 125/5 5,0 1-WR 21 50-50	<b>77254-1443</b>
150	5	10	1	3	PSR 205 150/5 10 1-WR 21 50-50	<b>77254-1563</b>
200	5	10	1	3	PSR 205 200/5 10 1-WR 21 50-50	<b>77254-1663</b>
250	5	10	1	3	PSR 205 250/5 10 1-WR 21 50-50	<b>77254-1763</b>
300	5	10	1	3	PSR 205 300/5 10 1-WR 21 50-50	<b>77254-1863</b>
50	1	2,5	1	3	PSR 205 50/1 2,5 1-WR 21 50-50	<b>77254-5933</b>
60	1	2,5	1	3	PSR 205 60/1 2,5 1-WR 21 50-50	<b>77254-6033</b>
75	1	2,5	1	3	PSR 205 75/1 2,5 1-WR 21 50-50	<b>77254-6133</b>
80	1	5	1	3	PSR 205 80/1 5 1-WR 21 50-50	<b>77254-6243</b>
100	1	5	1	3	PSR 205 100/1 5 1-WR 21 50-50	<b>77254-6343</b>
125	1	5	1	3	PSR 205 125/1 5 1-WR 21 50-50	<b>77254-6443</b>
150	1	5	1	3	PSR 205 150/1 5 1-WR 21 50-50	<b>77254-6543</b>
200	1	5	1	3	PSR 205 200/1 5 1-WR 21 50-50	<b>77254-6643</b>
250	1	5	1	3	PSR 205 250/1 5 1-WR 21 50-50	<b>77254-6743</b>
300	1	5	1	3	PSR 205 300/1 5 1-WR 21 50-50	<b>77254-6843</b>



77255-1332

### PSR 253 tube-type current transformer

**Features:**

- Diameter 22.5 mm<sup>2</sup>, accuracy class 0.5

Primary current	Secondary current	VA	Accuracy class	PU	Product designation	Order no.
75	5	1,5	0,5	3	PSR 253 75/5 1,5 0,5-WR 22,5 60-30	<b>77255-1122</b>
80	5	1,5	0,5	3	PSR 253 80/5 1,5 0,5-WR 22,5 60-30	<b>77255-1222</b>
100	5	2,5	0,5	3	PSR 253 100/5 2,5 0,5-WR 22,5 60-30	<b>77255-1332</b>
125	5	2,5	0,5	3	PSR 253 125/5 2,5 0,5-WR 22,5 60-30	<b>77255-1432</b>
150	5	2,5	0,5	3	PSR 253 150/5 2,5 0,5-WR 22,5 60-30	<b>77255-1532</b>
200	5	5	0,5	3	PSR 253 200/5 5,0 0,5-WR 22,5 60-30	<b>77255-1642</b>

# Tube-type current transformers

► Technical data, page 326



77255-1332

## PSR 253 tube-type current transformer

### Features:

- Diameter 22.5 mm<sup>2</sup>, accuracy class 0.5

Primary current	Secondary current	VA	Accuracy class	PU	Product designation	Order no.
250	5	5	0,5	3	PSR 253 250/5 5,0 0,5-WR 22,5 60-30	<b>77255-1742</b>
300	5	5	0,5	3	PSR 253 300/5 5,0 0,5-WR 22,5 60-30	<b>77255-1842</b>
400	5	5	0,5	3	PSR 253 400/5 5,0 0,5-WR 22,5 60-30	<b>77255-1942</b>
500	5	5	0,5	3	PSR 253 500/5 5,0 0,5-WR 22,5 60-30	<b>77255-2042</b>
600	5	5	0,5	3	PSR 253 600/5 5,0 0,5 22,5 60-30	<b>77255-2142</b>
75	1	1,5	0,5	3	PSR 253 75/1 1,5 0,5-WR 22,5 60-30	<b>77255-6122</b>
80	1	1,5	0,5	3	PSR 253 80/1 1,5 0,5-WR 22,5 60-30	<b>77255-6222</b>
100	1	2,5	0,5	3	PSR 253 100/1 2,5 0,5-WR 22,5 60-30	<b>77255-6332</b>
125	1	2,5	0,5	3	PSR 253 125/1 2,5 0,5-WR 22,5 60-30	<b>77255-6432</b>
150	1	2,5	0,5	3	PSR 253 150/1 2,5 0,5-WR 22,5 60-30	<b>77255-6532</b>
200	1	5	0,5	3	PSR 253 200/1 5,0 0,5-WR 22,5 60-30	<b>77255-6642</b>
250	1	5	0,5	3	PSR 253 250/1 5,0 0,5-WR 22,5 60-30	<b>77255-6742</b>
300	1	5	0,5	3	PSR 253 300/1 5,0 0,5-WR 22,5 60-30	<b>77255-6842</b>
400	1	5	0,5	3	PSR 253 400/1 5,0 0,5-WR 22,5 60-30	<b>77255-6942</b>
500	1	5	0,5	3	PSR 253 500/1 5,0 0,5-WR 22,5 60-30	<b>77255-7042</b>
600	1	5	0,5	3	PSR 253 600/1 5,0 0,5-WR 22,5 60-30	<b>77255-7142</b>



77255-1743

## PSR 253 tube-type current transformer

### Features:

- Diameter 22.5 mm<sup>2</sup>, accuracy class 1

Primary current	Secondary current	VA	Accuracy class	PU	Product designation	Order no.
50	5	1,5	1	3	PSR 253 50/5 1,5 1-WR 22,5 60-30	<b>77255-0923</b>
60	5	2,5	1	3	PSR 253 60/5 2,5 1-WR 22,5 60-30	<b>77255-1033</b>
75	5	2,5	1	3	PSR 253 75/5 2,5 1-WR 22,5 60-30	<b>77255-1133</b>
80	5	2,5	1	3	PSR 253 80/5 2,5 1-WR 22,5 60-30	<b>77255-1233</b>
100	5	5	1	3	PSR 253 100/5 5,0 1-WR 22,5 60-30	<b>77255-1343</b>
125	5	5	1	3	PSR 253 125/5 5,0 1-WR 22,5 60-30	<b>77255-1443</b>
150	5	5	1	3	PSR 253 150/5 5,0 1-WR 22,5 60-30	<b>77255-1543</b>
200	5	5	1	3	PSR 253 200/5 5,0 1-WR 22,5 60-30	<b>77255-1643</b>
250	5	5	1	3	PSR 253 250/5 5,0 1-WR 22,5 60-30	<b>77255-1743</b>
300	5	5	1	3	PSR 253 300/5 5,0 1-WR 22,5 60-30	<b>77255-1843</b>
400	5	5	1	3	PSR 253 400/5 5,0 1-WR 22,5 60-30	<b>77255-1943</b>
500	5	5	1	3	PSR 253 500/5 5,0 1-WR 22,5 60-30	<b>77255-2043</b>
600	5	5	1	3	PSR 253 600/5 5,0 1-WR 22,5 60-30	<b>77255-2143</b>
50	1	1,5	1	3	PSR 253 50/1 1,5 1-WR 22,5 60-30	<b>77255-5923</b>
60	1	2,5	1	3	PSR 253 60/1 2,5 1-WR 22,5 60-30	<b>77255-6033</b>
75	1	2,5	1	3	PSR 253 75/1 2,5 1-WR 22,5 60-30	<b>77255-6133</b>
80	1	2,5	1	3	PSR 253 80/1 2,5 1-WR 22,5 60-30	<b>77255-6233</b>
100	1	5	1	3	PSR 253 100/1 5,0 1-WR 22,5 60-30	<b>77255-6343</b>
125	1	5	1	3	PSR 253 125/1 5,0 1-WR 22,5 60-30	<b>77255-6443</b>
150	1	5	1	3	PSR 253 150/1 5,0 1-WR 22,5 60-30	<b>77255-6543</b>
200	1	5	1	3	PSR 253 200/1 5,0 1-WR 22,5 60-30	<b>77255-6643</b>
250	1	5	1	3	PSR 253 250/1 5,0 1-WR 22,5 60-30	<b>77255-6743</b>
250	1	10	1	3	PSR 253 250/1 10 1-WR 22,5 60-30	<b>77255-6763</b>
300	1	5	1	3	PSR 253 300/1 5,0 1-WR 22,5 60-30	<b>77255-6843</b>
400	1	5	1	3	PSR 253 400/1 5,0 1-WR 22,5 60-30	<b>77255-6943</b>
500	1	5	1	3	PSR 253 500/1 5,0 1-WR 22,5 60-30	<b>77255-7043</b>
600	1	5	1	3	PSR 253 600/1 5,0 1-WR 22,5 60-30	<b>77255-7143</b>

## Tube-type current transformers

► Technical data, page 326



77256-1742

### PSR 253/30 tube-type current transformer

**Features:**

- Diameter 30 mm<sup>2</sup>, accuracy class 0.5

Primary current	Secondary current	VA	Accuracy class	PU	Product designation	Order no.
125	5	5	0,5	3	PSR 253/30 125/5 5 0,5-WR 30 60-30	<b>77256-1442</b>
150	5	5	0,5	3	PSR 253/30 150/5 5 0,5-WR 30 60-30	<b>77256-1542</b>
200	5	5	0,5	3	PSR 253/30 200/5 5 0,5-WR 30 60-30	<b>77256-1642</b>
250	5	5	0,5	3	PSR 253/30 250/5 2,5 0,5-WR 30 60-30	<b>77256-1742</b>
300	5	5	0,5	3	PSR 253/30 300/5 5 0,5-WR 30 60-30	<b>77256-1842</b>
400	5	5	0,5	3	PSR 253/30 400/5 5 0,5-WR 30 60-30	<b>77256-1942</b>
500	5	5	0,5	3	PSR 253/30 500/5 5 0,5-WR 30 60-30	<b>77256-2042</b>
600	5	5	0,5	3	PSR 253/30 600/5 5 0,5-WR 30 60-30	<b>77256-2142</b>
125	1	5	0,5	3	PSR 253/30 125/1 5 0,5-WR 30 60-30	<b>77256-6442</b>
150	1	5	0,5	3	PSR 253/30 150/1 5 0,5-WR 30 60-30	<b>77256-6542</b>
200	1	5	0,5	3	PSR 253/30 200/1 2,5 0,5-WR 30 60-30	<b>77256-6642</b>
250	1	5	0,5	3	PSR 253/30 250/1 2,5 0,5-WR 30 60-30	<b>77256-6742</b>
300	1	5	0,5	3	PSR 253/30 300/1 5 0,5-WR 30 60-30	<b>77256-6842</b>
400	1	5	0,5	3	PSR 253/30 400/1 5 0,5-WR 30 60-30	<b>77256-6942</b>
500	1	5	0,5	3	PSR 253/30 500/1 5 0,5-WR 30 60-30	<b>77256-7042</b>
600	1	5	0,5	3	PSR 253/30 600/1 5 0,5-WR 30 60-30	<b>77256-7142</b>



77256-1743

### PSR 253/30 tube-type current transformer

**Features:**

- Diameter 30 mm<sup>2</sup>, accuracy class 1

Primary current	Secondary current	VA	Accuracy class	PU	Product designation	Order no.
125	5	5	1	3	PSR 253/30 125/5 5 1-WR 30 60-30	<b>77256-1443</b>
150	5	5	1	3	PSR 253/30 150/5 5 1-WR 30 60-30	<b>77256-1543</b>
200	5	5	1	3	PSR 253/30 200/5 5 0 1-WR 30 60-30	<b>77256-1643</b>
250	5	5	1	3	PSR 253/30 250/5 5 0 1-WR 30 60-30	<b>77256-1743</b>
300	5	5	1	3	PSR 253/30 300/5 5 0 1-WR 30 60-30	<b>77256-1843</b>
400	5	5	1	3	PSR 253/30 400/5 5 0 1-WR 30 60-30	<b>77256-1943</b>
500	5	5	1	3	PSR 253/30 500/5 5 1-WR 30 60-30	<b>77256-2043</b>
600	5	5	1	3	PSR 253/30 600/5 5 0 1-WR 30 60-30	<b>77256-2143</b>
1000	5	2,5	1	3	PSR 253/30 1000/5 2,5 1-WR 30 60-30	<b>77256-2433</b>
125	1	5	1	3	PSR 253/30 125/1 5 0 1-WR 30 60-30	<b>77256-6443</b>
150	1	5	1	3	PSR 253/30 150/1 5 0 1-WR 30 60-30	<b>77256-6543</b>
200	1	5	1	3	PSR 253/30 200/1 5 0 1-WR 30 60-30	<b>77256-6643</b>
250	1	5	1	3	PSR 253/30 250/1 5 0 1-WR 30 60-30	<b>77256-6743</b>
300	1	5	1	3	PSR 253/30 300/1 5 0 1-WR 30 60-30	<b>77256-6843</b>
400	1	5	1	3	PSR 253/30 400/1 5 0 1-WR 30 60-30	<b>77256-6943</b>
500	1	5	1	3	PSR 253/30 500/1 5 0 1-WR 30 60-30	<b>77256-7043</b>
600	1	5	1	3	PSR 253/30 600/1 5 0 1-WR 30 60-30	<b>77256-7143</b>

# Wound-primary current transformers

► Technical data, page 327



77362-0242

## PSW 55

### Features:

- Wound-primary current transformer, accuracy class 0.5

Primary current	Secondary current	VA	Accuracy class	PU	Product designation	Order no.
5	5	5	0,5	1	PSW 55 5/5 5,0 0,5 -WW 55-70	<b>77362-0242</b>
10	5	5	0,5	1	PSW 55 10/5 5,0 0,5-WW 55-70	<b>77362-0342</b>
15	5	5	0,5	1	PSW 55 15/5 5,0 0,5-WW 55-70	<b>77362-0442</b>
20	5	5	0,5	1	PSW 55 20/5 5,0 0,5-WW 55-70	<b>77362-0542</b>
25	5	5	0,5	1	PSW 55 25/5 5,0 0,5-WW 55-70	<b>77362-0642</b>
30	5	5	0,5	1	PSW 55 30/5 5,0 0,5-WW 55-70	<b>77362-0742</b>
40	5	5	0,5	1	PSW 55 40/5 5,0 0,5-WW 55-70	<b>77362-0842</b>
5	1	5	0,5	1	PSW 55 5/1 5,0 0,5-WW 55-70	<b>77362-5142</b>
5	1	5	0,5	1	PSW 55 10/1 5,0 0,5-WW 55-70	<b>77362-5242</b>
15	1	5	0,5	1	PSW 55 15/1 5,0 0,5-WW 55-70	<b>77362-5342</b>
20	1	5	0,5	1	PSW 55 20/1 5,0 0,5-WW 55-70	<b>77362-5442</b>
25	1	5	0,5	1	PSW 55 25/1 5,0 0,5-WW 55-70	<b>77362-5542</b>
30	1	5	0,5	1	PSW 55 30/1 5,0 0,5-WW 55-70	<b>77362-5742</b>
40	1	5	0,5	1	PSW 55 40/1 5,0 0,5-WW 55-70	<b>77362-5842</b>



77362-0243

## PSW 55

### Features:

- Wound-primary current transformer, accuracy class 1

Primary current	Secondary current	VA	Accuracy class	PU	Product designation	Order no.
5	5	5	1	1	PSW 55 5/5 5,0 1-WW 55-70	<b>77362-0243</b>
5	5	10	1	1	PSW 55 5/5 10 1-WW 55-70	<b>77362-0263</b>
10	5	5	1	1	PSW 55 10/5 5,0 1-WW 55-70	<b>77362-0343</b>
10	5	10	1	1	PSW 55 10/5 10 1-WW 55-70	<b>77362-0363</b>
15	5	5	1	1	PSW 55 15/5 5,0 1-WW 55-70	<b>77362-0443</b>
15	5	10	1	1	PSW 55 15/5 10 1-WW 55-70	<b>77362-0463</b>
20	5	5	1	1	PSW 55 20/5 5,0 1-WW 55-70	<b>77362-0543</b>
20	5	10	1	1	PSW 55 20/5 10 1-WW 55-70	<b>77362-0563</b>
25	5	5	1	1	PSW 55 25/5 5,0 1-WW 55-70	<b>77362-0643</b>
25	5	10	1	1	PSW 55 25/5 10 1-WW 55-70	<b>77362-0663</b>
30	5	5	1	1	PSW 55 30/5 5,0 1-WW 55-70	<b>77362-0743</b>
30	5	10	1	1	PSW 55 30/5 10 1-WW 55-70	<b>77362-0763</b>
40	5	5	1	1	PSW 55 40/5 5,0 1-WW 55-70	<b>77362-0843</b>
40	5	10	1	1	PSW 55 40/5 10 1-WW 55-70	<b>77362-0863</b>
5	1	5	1	1	PSW 55 5/1 5,0 1-WW 55-70	<b>77362-5143</b>
5	1	10	1	1	PSW 55 5/1 10 1-WW 55-70	<b>77362-5163</b>
5	1	5	1	1	PSW 55 10/1 5,0 1-WW 55-70	<b>77362-5243</b>
5	1	10	1	1	PSW 55 10/1 10 1-WW 55-70	<b>77362-5263</b>
15	1	5	1	1	PSW 55 15/1 5,0 1-WW 55-70	<b>77362-5343</b>
15	1	10	1	1	PSW 55 15/1 10 1-WW 55-70	<b>77362-5363</b>
20	1	5	1	1	PSW 55 20/1 5,0 1-WW 55-70	<b>77362-5443</b>
20	1	10	1	1	PSW 55 20/1 10 1-WW 55-70	<b>77362-5463</b>
25	1	5	1	1	PSW 55 25/1 5,0 1-WW 55-70	<b>77362-5543</b>
25	1	10	1	1	PSW 55 25/1 10 1-WW 55-70	<b>77362-5563</b>
30	1	5	1	1	PSW 55 30/1 5,0 1-WW 55-70	<b>77362-5743</b>
30	1	10	1	1	PSW 55 30/1 10 1-WW 55-70	<b>77362-5763</b>
40	1	5	1	1	PSW 55 40/1 5,0 1-WW 55-70	<b>77362-5843</b>
40	1	10	1	1	PSW 55 40/1 10 1-WW 55-70	<b>77362-5863</b>

## Wound-primary current transformers

► Technical data, page 327



77364-6043

### PSW 70

**Features:**

- Wound-primary current transformer, accuracy class 0.5

Primary current	Secondary current	VA	Accuracy class	PU	Product designation	Order no.
50	5	5	0,5	1	PSW 70 50/5 5,0 0,5-70	<b>77364-0942</b>
60	5	5	0,5	1	PSW 70 60/5 5,0 0,5-70	<b>77364-1042</b>
75	5	5	0,5	1	PSW 70 75/5 5,0 0,5-70	<b>77364-1142</b>
80	5	5	0,5	1	PSW 70 80/5 5,0 0,5-70	<b>77364-1242</b>
100	5	5	0,5	1	PSW 70 100/5 5,0 0,5-70	<b>77364-1342</b>
125	5	5	0,5	1	PSW 70 125/5 5,0 0,5-70	<b>77364-1442</b>
150	5	5	0,5	1	PSW 70 150/5 5,0 0,5-70	<b>77364-1542</b>
200	5	5	0,5	1	PSW 70 200/5 5,0 0,5-70	<b>77364-1642</b>
50	1	5	0,5	1	PSW 70 50/1 5,0 0,5-WW 55-70	<b>77364-5942</b>
60	1	5	0,5	1	PSW 70 60/1 5,0 0,5-70	<b>77364-6042</b>
75	1	5	0,5	1	PSW 70 75/1 5,0 0,5-70	<b>77364-6142</b>
80	1	5	0,5	1	PSW 70 80/1 5,0 0,5-70	<b>77364-6242</b>
100	1	5	0,5	1	PSW 70 100/1 5,0 0,5-70	<b>77364-6342</b>
125	1	5	0,5	1	PSW 70 125/1 5,0 0,5-70	<b>77364-6442</b>
150	1	5	0,5	1	PSW 70 150/1 5,0 0,5-70	<b>77364-6542</b>
200	1	5	0,5	1	PSW 70 200/1 5,0 0,5-70	<b>77364-6642</b>



77364-0843

### PSW 70

**Features:**

- Wound-primary current transformer, accuracy class 1

Primary current	Secondary current	VA	Accuracy class	PU	Product designation	Order no.
50	5	5	1	1	PSW 70 50/5 5,0 1-70	<b>77364-0943</b>
50	5	10	1	1	PSW 70 50/5 10 1-70	<b>77364-0963</b>
60	5	5	1	1	PSW 70 60/5 5,0 1-70	<b>77364-1043</b>
60	5	10	1	1	PSW 70 60/5 10 1-70	<b>77364-1063</b>
75	5	5	1	1	PSW 70 75/5 5,0 1-70	<b>77364-1143</b>
75	5	10	1	1	PSW 70 75/5 10 1-70	<b>77364-1163</b>
80	5	5	1	1	PSW 70 80/5 5,0 1-70	<b>77364-1243</b>
80	5	10	1	1	PSW 70 80/5 10 1-70	<b>77364-1263</b>
100	5	5	1	1	PSW 70 100/5 5,0 1-70	<b>77364-1343</b>
100	5	10	1	1	PSW 70 100/5 10 1-70	<b>77364-1363</b>
125	5	5	1	1	PSW 70 125/5 5,0 1-70	<b>77364-1443</b>
125	5	10	1	1	PSW 70 125/5 10 1-70	<b>77364-1463</b>
150	5	5	1	1	PSW 70 150/5 5,0 1-70	<b>77364-1543</b>
150	5	10	1	1	PSW 70 150/5 10 1-70	<b>77364-1563</b>
200	5	5	1	1	PSW 70 200/5 5,0 1-70	<b>77364-1643</b>
200	5	10	1	1	PSW 70 200/5 10 1-70	<b>77364-1663</b>
50	1	5	1	1	PSW 70 50/1 5,0 1-WW 55-70	<b>77364-5943</b>
50	1	10	1	1	PSW 70 50/1 10 1-70	<b>77364-5963</b>
60	1	5	1	1	PSW 70 60/1 5,0 1-70	<b>77364-6043</b>
60	1	10	1	1	PSW 70 60/1 10 1-70	<b>77364-6063</b>
75	1	5	1	1	PSW 70 75/1 5,0 1-70	<b>77364-6143</b>
75	1	10	1	1	PSW 70 75/1 10 1-70	<b>77364-6163</b>
80	1	5	1	1	PSW 70 80/1 5,0 1-70	<b>77364-6243</b>
80	1	10	1	1	PSW 70 80/1 10 1-70	<b>77364-6263</b>
100	1	5	1	1	PSW 70 100/5 5VA Kl.1-70	<b>77364-6343</b>
100	1	10	1	1	PSW 70 100/1 10 1-70	<b>77364-6363</b>
125	1	5	1	1	PSW 70 125/1 5,0 1-70	<b>77364-6443</b>
125	1	10	1	1	PSW 70 125/1 10 1-70	<b>77364-6463</b>
150	1	5	1	1	PSW 70 150/1 5,0 1-70	<b>77364-6543</b>
150	1	10	1	1	PSW 70 150/1 10 1-70	<b>77364-6563</b>
200	1	5	1	1	PSW 70 200/1 5,0 1-70	<b>77364-6643</b>
200	1	10	1	1	PSW 70 200/1 10 1-70	<b>77364-6663</b>

# Summary current transformers

► Technical data, page 327



77470-3442

## PSS 2

### Features:

- Summary current transformer for 2 main circuits, accuracy class 0.5

Primary current	Secondary current	VA	Accuracy class	PU	Product designation	Order no.
2x5	5	5	0,5	1	PSS 2 5+5/5 5,0 0,5-WS 2 KREISE	<b>77470-3442</b>
2x5	5	10	0,5	1	PSS 2 5+5/5 10 0,5-WS 2 KREISE	<b>77470-3462</b>
2x5	5	15	0,5	1	PSS 2 5+5/5 15 0,5-WS 2 KREISE	<b>77470-3472</b>
2x1	5	10	0,5	1	PSS 2 1+1/5 10 0,5-WS 2 KREISE	<b>77470-3962</b>
2x1	5	15	0,5	1	PSS 2 1+1/5 15 0,5-WS 2 KREISE	<b>77470-3972</b>
2x5	1	5	0,5	1	PSS 2 5+5/1 5,0 0,5-WS 2 KREISE	<b>77470-8742</b>
2x5	1	10	0,5	1	PSS 2 5+5/1 10 0,5-WS 2 KREISE	<b>77470-8762</b>
2x5	1	15	0,5	1	PSS 2 5+5/1 15 0,5-WS 2 KREISE	<b>77470-8772</b>
2x1	1	5	0,5	1	PSS 2 1+1/1 5,0 0,5-WS 2 KREISE	<b>77470-8942</b>
2x1	1	10	0,5	1	PSS 2 1+1/1 10 0,5-WS 2 KREISE	<b>77470-8962</b>
2x1	1	15	0,5	1	PSS 2 1+1/1 15 0,5-WS 2 KREISE	<b>77470-8972</b>



77470-3443

## PSS 2

### Features:

- Summary current transformer for 2 main circuits, accuracy class 1

Primary current	Secondary current	VA	Accuracy class	PU	Product designation	Order no.
2x5	5	5	1	1	PSS 2 5+5/5 5,0 1-WS 2 KREISE	<b>77470-3443</b>
2x5	5	10	1	1	PSS 2 5+5/5 10 1-WS 2 KREISE	<b>77470-3463</b>
2x5	5	15	1	1	PSS 2 5+5/5 15 1-WS 2 KREISE	<b>77470-3473</b>
2x1	5	10	1	1	PSS 2 1+1/5 10 0,5-WS 2 KREISE	<b>77470-3963</b>
2x1	5	15	1	1	PSS 2 1+1/5 15 1-WS 2 KREISE	<b>77470-3973</b>
2x5	1	5	1	1	PSS 2 5+5/1 5,0 1-WS 2 KREISE	<b>77470-8743</b>
2x5	1	10	1	1	PSS 2 5+5/1 10 1-WS 2 KREISE	<b>77470-8763</b>
2x5	1	15	1	1	PSS 2 5+5/1 15 1-WS 2 KREISE	<b>77470-8773</b>
2x1	1	5	1	1	PSS 2 1+1/1 5,0 1-WS 2 KREISE	<b>77470-8943</b>
2x1	1	10	1	1	PSS 2 1+1/1 10 1-WS 2 KREISE HW 1:1	<b>77470-8963</b>
2x1	1	15	1	1	PSS 2 1+1/1 15 1-WS 2 KREISE	<b>77470-8973</b>

## PGSU

### Features:

- Summary current transformer for 3 to 10 main circuits, accuracy class 0.5

Primary current	Secondary current	VA	Accuracy class	PU	Product designation	Order no.
3 x 5	5	10	0,5	1	PGSU 3 5+5+5/5 10 0,5	<b>77844-3562</b>
4 x 5	5	10	0,5	1	PGSU 4 5+5+5+5/5 10 0,5	<b>77844-3662</b>
5 x 5	5	10	0,5	1	PGSU 5 5+5+5+5+5/5 10 0,5	<b>77844-3762</b>
6 x 5	5	10	0,5	1	PGSU 6 5+5+5+5+5+5/5 10 0,5	<b>77844-3862</b>
7 x 5	5	10	0,5	1	PGSU 7 5+5+5+5+5+5+5/5 10 0,5	<b>77844-4662</b>
8 x 5	5	10	0,5	1	PGSU 8 5+5+5+5+5+5+5+5/5 10 0,5	<b>77844-4762</b>
9 x 5	5	10	0,5	1	PGSU 9 5+5+5+5+5+5+5+5+5/5 10 0,5	<b>77844-4862</b>
10 x 5	5	10	0,5	1	PGSU 10 5+5+5+5+5+5+5+5+5+5/5 10 0,5	<b>77844-4962</b>
3 x 5	1	10	0,5	1	PGSU 3 1+1+1/1 10 0,5	<b>77844-9062</b>
4 x 5	1	10	0,5	1	PGSU 4 1+1+1+1/1 10 0,5	<b>77844-9162</b>
5 x 5	1	10	0,5	1	PGSU 5 1+1+1+1+1/1 10 0,5	<b>77844-9262</b>
6 x 5	1	10	0,5	1	PGSU 6 1+1+1+1+1+1/1 10 0,5	<b>77844-9362</b>
7 x 5	1	10	0,5	1	PGSU 7 1+1+1+1+1+1+1/1 10 0,5	<b>77844-9462</b>
8 x 5	1	10	0,5	1	PGSU 8 1+1+1+1+1+1+1+1/1 10 0,5	<b>77844-9762</b>
9 x 5	1	10	0,5	1	PGSU 9 1+1+1+1+1+1+1+1+1/1 10 0,5	<b>77844-9862</b>
10 x 5	1	10	0,5	1	PGSU 10 1+1+1+1+1+1+1+1+1+1/1 10 0,5	<b>77844-9962</b>

## Summary current transformers

► Technical data, page 327

### PGSU

#### Features:

- Summary current transformer for 3 to 10 main circuits, accuracy class 1

Primary current	Secondary current	VA	Accuracy class	PU	Product designation	Order no.
3 x 5	5	10	1	1	PGSU 3 5+5+5/5 10 1	<b>77844-3563</b>
4 x 5	5	10	1	1	PGSU 4 5+5+5+5/5 10 1	<b>77844-3663</b>
5 x 5	5	10	1	1	PGSU 5 5+5+5+5+5/5 10 1	<b>77844-3763</b>
6 x 5	5	10	1	1	PGSU 6 5+5+5+5+5+5/5 10 1	<b>77844-3863</b>
7 x 5	5	10	1	1	PGSU 7 5+5+5+5+5+5+5/5 10 1	<b>77844-4663</b>
8 x 5	5	10	1	1	PGSU 8 5+5+5+5+5+5+5+5/5 10 1	<b>77844-4763</b>
9 x 5	5	10	1	1	PGSU 9 5+5+5+5+5+5+5+5+5/5 10 1	<b>77844-4863</b>
10 x 5	5	10	1	1	PGSU 10 5+5+5+5+5+5+5+5+5+5/5 10 1	<b>77844-4963</b>
3 x 5	1	10	1	1	PGSU 3 1+1+1/1 10 1	<b>77844-9063</b>
4 x 5	1	10	1	1	PGSU 4 1+1+1+1/1 10 1	<b>77844-9163</b>
5 x 5	1	10	1	1	PGSU 5 1+1+1+1+1/1 10 1	<b>77844-9263</b>
6 x 5	1	10	1	1	PGSU 6 1+1+1+1+1+1/1 10 1	<b>77844-9363</b>
7 x 5	1	10	1	1	PGSU 7 1+1+1+1+1+1+1/1 10 1	<b>77844-9463</b>
8 x 5	1	10	1	1	PGSU 8 1+1+1+1+1+1+1+1/1 10 1	<b>77844-9763</b>
9 x 5	1	10	1	1	PGSU 9 1+1+1+1+1+1+1+1+1/1 10 1	<b>77844-9863</b>
10 x 5	1	10	1	1	PGSU 10 1+1+1+1+1+1+1+1+1+1/1 10 1	<b>77844-9963</b>

# PTB-compliant current transformers for billing purposes

► Technical data, page 320



77508-1132

## EPSA 315

### Features:

- Window-type current transformer, PTB-compliant
- Primary busbar 30 x 10 mm, supplied with secondary terminal cover (SKLAD)

Primary current	Secondary current	VA	Accuracy class	PU	Product designation	Order no.
75	5	1,5	0,5s	3	EPSA 315 75/5 1,5 0,5S-WA 30X10 60-55	<b>77508-1126</b>
75	5	2,5	0,5	3	EPSA 315 75/5 2,5 0,5-WA 30X10 60-55	<b>77508-1132</b>
100	5	1,5	0,5s	3	EPSA 315 100/5 1,5 0,5S-WA 30X10 60-55	<b>77508-1326</b>
100	5	2,5	0,2	3	EPSA 315 100/5 2,5 0,2-WA 30X10 60-55	<b>77508-1331</b>
100	5	2,5	0,5	3	EPSA 315 100/5 2,5 0,5-WA 30X10 60-55	<b>77508-1332</b>
250	1	15	1	3	PSA 315 250/1 15 1-WA 30X10 60-55	<b>77108-6773</b>
100	5	2,5	0,5s	3	EPSA 315 100/5 2,5 0,5S-WA 30X10 60-55	<b>77508-1336</b>
125	5	1,5	0,2	3	EPSA 315 125/5 1,5 0,2-WA 30X10 60-55	<b>77508-1421</b>
125	5	2,5	0,2	3	EPSA 315 125/5 2,5 0,2-WA 30X10 60-55	<b>77508-1431</b>
125	5	2,5	0,5	3	EPSA 315 125/5 2,5 0,5-WA 30X10 60-55	<b>77508-1432</b>
125	5	2,5	0,5s	3	EPSA 315 125/5 2,5 0,5S-WA 30X10 60-55	<b>77508-1436</b>
125	5	5	0,5	3	EPSA 315 125/5 5,0 0,5-WA 30X10 60-55	<b>77508-1442</b>
150	5	2,5	0,5	3	EPSA 315 150/5 2,5 0,5-WA 30X10 60-55	<b>77508-1532</b>
150	5	2,5	0,5s	3	EPSA 315 150/5 2,5 0,5S-WA 30X10 60-55	<b>77508-1536</b>
150	5	5	0,2	3	EPSA 315 150/5 5,0 0,2-WA 30X10 60-55	<b>77508-1541</b>
150	5	5	0,5	3	EPSA 315 150/5 5,0 0,5-WA 30X10 60-55	<b>77508-1542</b>
150	5	5	0,5s	3	EPSA 315 150/5 5,0 0,5S-WA 30X10 60-55	<b>77508-1546</b>
150	5	10	0,5	3	EPSA 315 150/5 10 0,5-WA 30X10 60-55	<b>77508-1562</b>
200	5	2,5	0,2	3	EPSA 315 200/5 2,5 0,2-WA 30X10 60-55	<b>77508-1631</b>
200	5	2,5	0,5	3	EPSA 315 200/5 2,5 0,5-WA 30X10 60-55	<b>77508-1632</b>
200	5	2,5	0,5s	3	EPSA 315 200/5 2,5 0,5S-WA 30X10 60-55	<b>77508-1636</b>
200	5	5	0,2	3	EPSA 315 200/5 5,0 0,2-WA 30X10 60-55	<b>77508-1641</b>
200	5	5	0,5	3	EPSA 315 200/5 5,0 0,5-WA 30X10 60-55	<b>77508-1642</b>
200	5	5	0,5s	3	EPSA 315 200/5 5,0 0,5S-WA 30X10 60-55	<b>77508-1646</b>
200	5	10	0,5	3	EPSA 315 200/5 10 0,5-WA 30X10 60-55	<b>77508-1662</b>
200	5	15	0,5	3	EPSA 315 200/5 15 0,5-WA 30X10 60-55	<b>77508-1672</b>
250	5	2,5	0,2	3	EPSA 315 250/5 2,5 0,2-WA 30X10 60-55	<b>77508-1731</b>
250	5	2,5	0,5	3	EPSA 315 250/5 2,5 0,5-WA 30X10 60-55	<b>77508-1732</b>
250	5	2,5	0,5s	3	EPSA 315 250/5 2,5 0,5S-WA 30X10 60-55	<b>77508-1736</b>
250	5	5	0,2	3	EPSA 315 250/5 5,0 0,2-WA 30X10 60-55	<b>77508-1741</b>
250	5	5	0,5	3	EPSA 315 250/5 5,0 0,5-WA 30X10 60-55	<b>77508-1742</b>
250	5	5	0,5s	3	EPSA 315 250/5 5,0 0,5S-WA 30X10 60-55	<b>77508-1746</b>
250	5	10	0,5	3	EPSA 315 250/5 10 0,5-WA 30X10 60-55	<b>77508-1762</b>
250	5	10	0,5s	3	EPSA 315 250/5 10 0,5S-WA 30X10 60-55	<b>77508-1766</b>
250	5	15	0,5	3	EPSA 315 250/5 15 0,5-WA 30X10 60-55	<b>77508-1772</b>
300	5	2,5	0,2	3	EPSA 315 300/5 2,5 0,2-WA 30X10 60-55	<b>77508-1831</b>
300	5	2,5	0,5	3	EPSA 315 300/5 2,5 0,5-WA 30X10 60-55	<b>77508-1832</b>
300	5	2,5	0,5s	3	EPSA 315 300/5 2,5 0,5S-WA 30X10 60-55	<b>77508-1836</b>
300	5	5	0,2	3	EPSA 315 300/5 5,0 0,2-WA 30X10 60-55	<b>77508-1841</b>
300	5	5	0,5	3	EPSA 315 300/5 5,0 0,5-WA 30X10 60-55	<b>77508-1842</b>
300	5	5	0,5s	3	EPSA 315 300/5 5,0 0,5S-WA 30X10 60-55	<b>77508-1846</b>
300	5	10	0,5	3	EPSA 315 300/5 10 0,5-WA 30X10 60-55	<b>77508-1862</b>
300	5	10	0,5s	3	EPSA 315 300/5 10 0,5S-WA 30X10 60-55	<b>77508-1866</b>
300	5	15	0,5	3	EPSA 315 300/5 15 0,5-WA 30X10 60-55	<b>77508-1872</b>
400	5	2,5	0,2	3	EPSA 315 400/5 2,5 0,2-WA 30X10 60-55	<b>77508-1931</b>
400	5	2,5	0,5	3	EPSA 315 400/5 2,5 0,5-WA 30X10 60-55	<b>77508-1932</b>
400	5	2,5	0,5s	3	EPSA 315 400/5 2,5 0,5S-WA 30X10 60-55	<b>77508-1936</b>
400	5	5	0,2	3	EPSA 315 400/5 5,0 0,2-WA 30X10 60-55	<b>77508-1941</b>
400	5	5	0,5	3	EPSA 315 400/5 5,0 0,5-WA 30X10 60-55	<b>77508-1942</b>
400	5	5	0,5s	3	EPSA 315 400/5 5,0 0,5S-WA 30X10 60-55	<b>77508-1946</b>
400	5	10	0,2	3	EPSA 315 400/5 10 0,2-WA 30X10 60-55	<b>77508-1961</b>
400	5	10	0,5	3	EPSA 315 400/5 10 0,5-WA 30X10 60-55	<b>77508-1962</b>
400	5	10	0,5s	3	EPSA 315 400/5 10 0,5S-WA 30X10 60-55	<b>77508-1966</b>
400	5	15	0,2	3	EPSA 315 400/5 15 0,2-WA 30X10 60-55	<b>77508-1971</b>
400	5	15	0,5	3	EPSA 315 400/5 15 0,5-WA 30X10 60-55	<b>77508-1972</b>

Measurement and Communication

## PTB-compliant current transformers for billing purposes

► Technical data, page 320



77508-1132

### EPESA 315

#### Features:

- Window-type current transformer, PTB-compliant
- Primary busbar 30 x 10 mm, supplied with secondary terminal cover (SKLAD)

Primary current	Secondary current	VA	Accuracy class	PU	Product designation	Order no.
400	5	15	0,5s	3	EPESA 315 400/5 15 0,5S-WA 30X10 60-55	<b>77508-1976</b>
500	5	2,5	0,2	3	EPESA 315 500/5 2,5 0,2-WA 30X10 60-55	<b>77508-2031</b>
500	5	2,5	0,5	3	EPESA 315 500/5 2,5 0,5-WA 30X10 60-55	<b>77508-2032</b>
500	5	2,5	0,5s	3	EPESA 315 500/5 2,5 0,5S-WA 30X10 60-55	<b>77508-2036</b>
500	5	5	0,2	3	EPESA 315 500/5 5,0 0,2-WA 30X10 60-55	<b>77508-2041</b>
500	5	5	0,5	3	EPESA 315 500/5 5,0 0,5-WA 30X10 60-55	<b>77508-2042</b>
500	5	5	0,5s	3	EPESA 315 500/5 5,0 0,5S-WA 30X10 60-55	<b>77508-2046</b>
500	5	10	0,2	3	EPESA 315 500/5 10 0,2-WA 30X10 60-55	<b>77508-2061</b>
500	5	10	0,5	3	EPESA 315 500/5 10 0,5-WA 30X10 60-55	<b>77508-2062</b>
500	5	10	0,5s	3	EPESA 315 500/5 10 0,5S-WA 30X10 60-55	<b>77508-2066</b>
500	5	15	0,2	3	EPESA 315 500/5 15 0,2-WA 30X10 60-55	<b>77508-2071</b>
500	5	15	0,5	3	EPESA 315 500/5 15 0,5-WA 30X10 60-55	<b>77508-2072</b>
500	5	15	0,5s	3	EPESA 315 500/5 15 0,5S-WA 30X10 60-55	<b>77508-2076</b>
600	5	2,5	0,2	3	EPESA 315 600/5 2,5 0,2-WA 30X10 60-55	<b>77508-2131</b>
600	5	2,5	0,5	3	EPESA 315 600/5 2,5 0,5-WA 30X10 60-55	<b>77508-2132</b>
600	5	2,5	0,5s	3	EPESA 315 600/5 2,5 0,5S-WA 30X10 60-55	<b>77508-2136</b>
600	5	5	0,2	3	EPESA 315 600/5 5,0 0,2-WA 30X10 60-55	<b>77508-2141</b>
600	5	5	0,5	3	EPESA 315 600/5 5,0 0,5-WA 30X10 60-55	<b>77508-2142</b>
600	5	5	0,5s	3	EPESA 315 600/5 5,0 0,5S-WA 30X10 60-55	<b>77508-2146</b>
600	5	10	0,2	3	EPESA 315 600/5 10 0,2-WA 30X10 60-55	<b>77508-2161</b>
600	5	10	0,5	3	EPESA 315 600/5 10 0,5-WA 30X10 60-55	<b>77508-2162</b>
600	5	10	0,5s	3	EPESA 315 600/5 10 0,5S-WA 30X10 60-55	<b>77508-2166</b>
600	5	15	0,2	3	EPESA 315 600/5 15 0,2-WA 30X10 60-55	<b>77508-2171</b>
600	5	15	0,5	3	EPESA 315 600/5 15 0,5-WA 30X10 60-55	<b>77508-2172</b>
600	5	15	0,5s	3	EPESA 315 600/5 15 0,5S-WA 30X10 60-55	<b>77508-2176</b>



77511-2142

### EPESA 415

#### Features:

- Window-type current transformer, PTB-compliant
- Primary busbar 40 x 12 mm (30 x 25), supplied with secondary terminal cover (SKLAD)

Primary current	Secondary current	VA	Accuracy class	PU	Product designation	Order no.
200	5	2,5	0,5	3	EPESA 415 200/5 2,5 0,5-WA 40x12 60-55	<b>77511-1632</b>
200	5	5	0,5	3	EPESA 415 200/5 5,0 0,5-WA 40X10 60-55	<b>77511-1642</b>
250	5	2,5	0,5	3	EPESA 415 250/5 2,5 0,5-WA 40x12 60-55	<b>77511-1732</b>
250	5	2,5	0,5s	3	EPESA 415 250/5 2,5 0,5s-WA 40X10 60-55	<b>77511-1736</b>
250	5	5	0,5	3	EPESA 415 250/5 5,0 0,5-WA 40X10 60-55	<b>77511-1742</b>
250	5	5	0,5s	3	EPESA 415 250/5 5,0 0,5s-WA 40X10 60-55	<b>77511-1746</b>
300	5	2,5	0,5	3	EPESA 415 300/5 2,5 0,5-WA 40x12 60-55	<b>77511-1832</b>
300	5	2,5	0,5s	3	EPESA 415 300/5 2,5 0,5s-WA 40X10 60-55	<b>77511-1836</b>
300	5	5	0,5	3	EPESA 415 300/5 5,0 0,5-WA 40X12 60-55	<b>77511-1842</b>
300	5	5	0,5s	3	EPESA 415 300/5 5,0 0,5s-WA 40X12 60-55	<b>77511-1846</b>
300	5	10	0,5	3	EPESA 415 300/5 10 0,5-WA 40X12 60-55	<b>77511-1862</b>
400	5	2,5	0,2	3	EPESA 415 400/5 2,5 0,2-WA 40x12 60-55	<b>77511-1931</b>
400	5	2,5	0,5	3	EPESA 415 400/5 2,5 0,5-WA 40x12 60-55	<b>77511-1932</b>
400	5	2,5	0,5s	3	EPESA 415 400/5 2,5 0,5s-WA 40X10 60-55	<b>77511-1936</b>
400	5	5	0,2	3	EPESA 415 400/5 5,0 0,2-WA 40X10 60-55	<b>77511-1941</b>
400	5	5	0,5	3	EPESA 415 400/5 5,0 0,5-WA 40X12 60-55	<b>77511-1942</b>
400	5	5	0,5s	3	EPESA 415 400/5 5,0 0,5s-WA 40X12 60-55	<b>77511-1946</b>
400	5	10	0,5	3	EPESA 415 400/5 10 0,5-WA 40X12 60-55	<b>77511-1962</b>
400	5	10	0,5s	3	EPESA 415 400/5 10 0,5s-WA 40X12 60-55	<b>77511-1966</b>
500	5	2,5	0,2	3	EPESA 415 500/5 2,5 0,2-WA 40x12 60-55	<b>77511-2031</b>
500	5	2,5	0,5	3	EPESA 415 500/5 2,5 0,5-WA 40x12 60-55	<b>77511-2032</b>
500	5	2,5	0,5s	3	EPESA 415 500/5 2,5 0,5s-WA 40X10 60-55	<b>77511-2036</b>
500	5	5	0,2	3	EPESA 415 500/5 5,0 0,2-WA 40X12 60-55	<b>77511-2041</b>
500	5	5	0,5	3	EPESA 415 500/5 5,0 0,5-WA 40X12 60-55	<b>77511-2042</b>

## PTB-compliant current transformers for billing purposes

► Technical data, page 320



77511-2142

### EPSA 415

#### Features:

- Window-type current transformer, PTB-compliant
- Primary busbar 40 x 12 mm (30 x 25), supplied with secondary terminal cover (SKLAD)

Primary current	Secondary current	VA	Accuracy class	PU	Product designation	Order no.
500	5	5	0,5s	3	EPSA 415 500/5 5,0 0,5s-WA 40X12 60-55	<b>77511-2046</b>
500	5	10	0,5	3	EPSA 415 500/5 10 0,5-WA 40X12 60-55	<b>77511-2062</b>
500	5	10	0,5s	3	EPSA 415 500/5 10 0,5S-WA 40X12 60-55	<b>77511-2066</b>
600	5	2,5	0,2	3	EPSA 415 600/5 2,5 0,2-WA 40x12 60-55	<b>77511-2131</b>
600	5	2,5	0,5	3	EPSA 415 600/5 2,5 0,5-WA 40x12 60-55	<b>77511-2132</b>
600	5	2,5	0,5s	3	EPSA 415 600/5 2,5 0,5s-WA 40X10 60-55	<b>77511-2136</b>
600	5	5	0,2	3	EPSA 415 600/5 5,0 0,2-WA 40X10 60-55	<b>77511-2141</b>
600	5	5	0,5	3	EPSA 415 600/5 5,0 0,5-WA 40X12 60-55	<b>77511-2142</b>
600	5	5	0,5s	3	EPSA 415 600/5 5,0 0,5s-WA 40X12 60-55	<b>77511-2146</b>
600	5	10	0,5	3	EPSA 415 600/5 10 0,5-WA 40X12 60-55	<b>77511-2162</b>
600	5	10	0,5s	3	EPSA 415 600/5 10 0,5s-WA 40X12 60-55	<b>77511-2166</b>
600	5	15	0,5	3	EPSA 415 600/5 15 0,5-WA 40X12 60-55	<b>77511-2172</b>



77512-1942

### EPSA 417.1

#### Features:

- Window-type current transformer, PTB-compliant
- Primary busbar 40 x 12 mm (30 x 30), supplied with secondary terminal cover (SKLAD)

Primary current	Secondary current	VA	Accuracy class	PU	Product designation	Order no.
150	5	2,5	0,5	3	EPSA 417.1 150/5 2,5 0,5-WA 40X12 70-55	<b>77512-1532</b>
150	5	2,5	0,5s	3	EPSA 417.1 150/5 2,5 0,5S-WA 40X12 70-55	<b>77512-1536</b>
150	5	5	0,5s	3	EPSA 417.1 150/5 5,0 0,5S-WA 40X12 70-55	<b>77512-1546</b>
150	5	9	0,5	3	EPSA 417.1 150/5 2,5 0,5s	<b>77512-1592</b>
200	5	2,5	0,2	3	EPSA 417.1 200/5 2,5 0,2-WA 40X12 70-55	<b>77512-1631</b>
200	5	2,5	0,5	3	EPSA 417.1 200/5 2,5 0,5-WA 40X12 70-55	<b>77512-1632</b>
200	5	2,5	0,5s	3	EPSA 417.1 200/5 2,5 0,5S-WA 40X12 70-55	<b>77512-1636</b>
200	5	5	0,5s	3	EPSA 417.1 200/5 5,0 0,5S-WA 40X12 70-55	<b>77512-1646</b>
250	5	2,5	0,2	3	EPSA 417.1 250/5 2,5 0,2-WA 40X12 70-55	<b>77512-1731</b>
250	5	2,5	0,5	3	EPSA 417.1 250/5 2,5 0,5-WA 40X12 70-55	<b>77512-1732</b>
250	5	2,5	0,5s	3	EPSA 417.1 250/5 2,5 0,5S-WA 40X12 70-55	<b>77512-1736</b>
250	5	5	0,5	3	EPSA 417.1 250/5 5,0 0,5-WA 40X12 70-55	<b>77512-1742</b>
250	5	5	0,5s	3	EPSA 417.1 250/5 5,0 0,5S-WA 40X12 70-55	<b>77512-1746</b>
250	5	10	0,5s	3	EPSA 417.1 250/5 10 0,5S-WA 40X12 70-55	<b>77512-1766</b>
300	5	2,5	0,2	3	EPSA 417.1 300/5 2,5 0,2-WA 40X12 70-55	<b>77512-1831</b>
300	5	2,5	0,5	3	EPSA 417.1 300/5 2,5 0,5-WA 40X12 70-55	<b>77512-1832</b>
300	5	2,5	0,5s	3	EPSA 417.1 300/5 2,5 0,5S-WA 40X12 70-55	<b>77512-1836</b>
300	5	5	0,2	3	EPSA 417.1 300/5 5,0 0,2-WA 40X12 70-55	<b>77512-1841</b>
300	5	5	0,5	3	EPSA 417.1 300/5 5,0 0,5-WA 40X12 70-55	<b>77512-1842</b>
300	5	5	0,5s	3	EPSA 417.1 300/5 5,0 0,5S-WA 40X12 70-55	<b>77512-1846</b>
300	5	10	0,5	3	EPSA 417.1 300/5 10 0,5-WA 40X12 70-55	<b>77512-1862</b>
300	5	10	0,5s	3	EPSA 417.1 300/5 10 0,5S-WA 40X12 70-55	<b>77512-1866</b>
400	5	2,5	0,2	3	EPSA 417.1 400/5 2,5 0,2-WA 40X12 70-55	<b>77512-1931</b>
400	5	2,5	0,5	3	EPSA 417.1 400/5 2,5 0,5-WA 40X12 70-55	<b>77512-1932</b>
400	5	2,5	0,5s	3	EPSA 417.1 400/5 2,5 0,5S-WA 40X12 70-55	<b>77512-1936</b>
400	5	5	0,2	3	EPSA 417.1 400/5 5,0 0,2-WA 40X12 70-55	<b>77512-1941</b>
400	5	5	0,5	3	EPSA 417.1 400/5 5,0 0,5-WA 40X12 70-55	<b>77512-1942</b>
400	5	5	0,5s	3	EPSA 417.1 400/5 5,0 0,5S-WA 40X12 70-55	<b>77512-1946</b>
400	5	10	0,5	3	EPSA 417.1 400/5 10 0,5-WA 40X12 70-55	<b>77512-1962</b>
400	5	10	0,5s	3	EPSA 417.1 400/5 10 0,5S-WA 40X12 70-55	<b>77512-1966</b>
400	5	15	0,5s	3	EPSA 417.1 400/5 15 0,5s-WA 40X12 70-55	<b>77512-1976</b>
500	5	2,5	0,2	3	EPSA 417.1 500/5 2,5 0,2-WA 40X12 70-55	<b>77512-2031</b>
500	5	2,5	0,5	3	EPSA 417.1 500/5 2,5 0,5-WA 40X12 70-55	<b>77512-2032</b>
500	5	2,5	0,5s	3	EPSA 417.1 500/5 2,5 0,5S-WA 40X12 70-55	<b>77512-2036</b>
500	5	5	0,2	3	EPSA 417.1 500/5 5,0 0,2-WA 40X12 70-55	<b>77512-2041</b>
500	5	5	0,5	3	EPSA 417.1 500/5 5,0 0,5-WA 40X12 70-55	<b>77512-2042</b>
500	5	5	0,5s	3	EPSA 417.1 500/5 5,0 0,5S-WA 40X12 70-55	<b>77512-2046</b>

## PTB-compliant current transformers for billing purposes

► Technical data, page 320



77512-1942

### EPSA 417.1

#### Features:

- Window-type current transformer, PTB-compliant
- Primary busbar 40 x 12 mm (30 x 30), supplied with secondary terminal cover (SKLAD)

Primary current	Secondary current	VA	Accuracy class	PU	Product designation	Order no.
500	5	10	0,5	3	EPSA 417.1 500/5 10 0,5-WA 40X12 70-55	<b>77512-2062</b>
500	5	10	0,5s	3	EPSA 417.1 500/5 10 0,5S-WA 40X12 70-55	<b>77512-2066</b>
500	5	15	0,5s	3	EPSA 417.1 500/5 15 0,5S-WA 40X12 70-55	<b>77512-2076</b>
600	5	2,5	0,2	3	EPSA 417.1 600/5 2,5 0,2-WA 40X12 70-55	<b>77512-2131</b>
600	5	2,5	0,5	3	EPSA 417.1 600/5 2,5 0,5-WA 40X12 70-55	<b>77512-2132</b>
600	5	2,5	0,5s	3	EPSA 417.1 600/5 2,5 0,5S-WA 40X12 70-55	<b>77512-2136</b>
600	5	5	0,2	3	EPSA 417.1 600/5 5,0 0,2-WA 40X12 70-55	<b>77512-2141</b>
600	5	5	0,5	3	EPSA 417.1 600/5 5,0 0,5-WA 40X12 70-55	<b>77512-2142</b>
600	5	5	0,5s	3	EPSA 417.1 600/5 5,0 0,5S-WA 40X12 70-55	<b>77512-2146</b>
600	5	10	0,5	3	EPSA 417.1 600/5 10 0,5-WA 40X12 70-55	<b>77512-2162</b>
600	5	10	0,5s	3	EPSA 417.1 600/5 10 0,5S-WA 40X12 70-55	<b>77512-2166</b>
600	5	15	0,5	3	EPSA 417.1 600/5 15 0,5-WA 40X12 70-55	<b>77512-2172</b>
600	5	15	0,5s	3	EPSA 417.1 600/5 15 0,5S-WA 40X12 70-55	<b>77512-2176</b>
750	5	2,5	0,2	3	EPSA 417.1 750/5 2,5 0,2-WA 40X12 70-55	<b>77512-2231</b>
750	5	2,5	0,5	3	EPSA 417.1 750/5 2,5 0,5-WA 40X12 70-55	<b>77512-2232</b>
750	5	2,5	0,5s	3	EPSA 417.1 750/5 2,5 0,5S-WA 40X12 70-55	<b>77512-2236</b>
750	5	5	0,2	3	EPSA 417.1 750/5 5,0 0,2-WA 40X12 70-55	<b>77512-2241</b>
750	5	5	0,5	3	EPSA 417.1 750/5 5,0 0,5-WA 40X12 70-55	<b>77512-2242</b>
750	5	5	0,5s	3	EPSA 417.1 750/5 5,0 0,5S-WA 40X12 70-55	<b>77512-2246</b>
750	5	10	0,5	3	EPSA 417.1 750/5 10 0,5-WA 40X12 70-55	<b>77512-2262</b>
750	5	10	0,5s	3	EPSA 417.1 750/5 10 0,5S-WA 40X12 70-55	<b>77512-2266</b>
750	5	15	0,5	3	EPSA 417.1 750/5 15 0,5-WA 40X12 70-55	<b>77512-2272</b>
750	5	15	0,5s	3	EPSA 417.1 750/5 15 0,5S-WA 40X12 70-55	<b>77512-2276</b>
800	5	2,5	0,2	3	EPSA 417.1 800/5 2,5 0,2-WA 40X12 70-55	<b>77512-2331</b>
800	5	2,5	0,5	3	EPSA 417.1 800/5 2,5 0,5-WA 40X12 70-55	<b>77512-2332</b>
800	5	2,5	0,5s	3	EPSA 417.1 800/5 2,5 0,5S-WA 40X12 70-55	<b>77512-2336</b>
800	5	5	0,2	3	EPSA 417.1 800/5 5,0 0,2-WA 40X12 70-55	<b>77512-2341</b>
800	5	5	0,5	3	EPSA 417.1 800/5 5,0 0,5-WA 40X12 70-55	<b>77512-2342</b>
800	5	5	0,5s	3	EPSA 417.1 800/5 5,0 0,5S-WA 40X12 70-55	<b>77512-2346</b>
800	5	10	0,5	3	EPSA 417.1 800/5 10 0,5-WA 40X12 70-55	<b>77512-2362</b>
800	5	10	0,5s	3	EPSA 417.1 800/5 10 0,5S-WA 40X12 70-55	<b>77512-2366</b>
800	5	15	0,5	3	EPSA 417.1 800/5 15 0,5-WA 40X12 70-55	<b>77512-2372</b>
800	5	15	0,5s	3	EPSA 417.1 800/5 15 0,5S-WA 40X12 70-55	<b>77512-2376</b>
1000	5	2,5	0,2	3	EPSA 417.1 1000/5 2,5 0,2-WA 40X12 70-55	<b>77512-2431</b>
1000	5	2,5	0,5	3	EPSA 417.1 1000/5 2,5 0,5-WA 40X12 70-55	<b>77512-2432</b>
1000	5	2,5	0,5s	3	EPSA 417.1 1000/5 2,5 0,5S-WA 40X12 70-55	<b>77512-2436</b>
1000	5	5	0,2	3	EPSA 417.1 1000/5 5,0 0,2-WA 40X12 70-55	<b>77512-2441</b>
1000	5	5	0,5	3	EPSA 417.1 1000/5 5,0 0,5-WA 40X12 70-55	<b>77512-2442</b>
1000	5	5	0,5s	3	EPSA 417.1 1000/5 5,0 0,5S-WA 40X12 70-55	<b>77512-2446</b>
1000	5	10	0,2	3	EPSA 417.1 1000/5 5,0 0,2-WA 40X12 70-55	<b>77512-2461</b>
1000	5	10	0,5	3	EPSA 417.1 1000/5 10 0,5-WA 40X12 70-55	<b>77512-2462</b>
1000	5	10	0,5s	3	EPSA 417.1 1000/5 10 0,5S-WA 40X12 70-55	<b>77512-2466</b>
1000	5	15	0,5	3	EPSA 417.1 1000/5 15 0,5-WA 40X12 70-55	<b>77512-2472</b>
1000	5	15	0,5s	3	EPSA 417.1 1000/5 15 0,5S-WA 40X12 70-55	<b>77512-2476</b>



77517-1842

### EPSA 517.1

#### Features:

- Window-type current transformer, PTB-compliant
- Primary busbar 50 x 12 mm (40 x 30), supplied with secondary terminal cover (SKLAD)

Primary current	Secondary current	VA	Accuracy class	PU	Product designation	Order no.
250	5	2,5	0,5	3	EPSA 517.1 250/5 2,5 0,5-WA 50X12 70-55	<b>77517-1732</b>
250	5	2,5	0,5s	3	EPSA 517.1 250/5 2,5 0,5S-WA 50X12 70-55	<b>77517-1736</b>
250	5	5	0,5	3	EPSA 517.1 250/5 5,0 0,5-WA 50X12 70-55	<b>77517-1742</b>
250	5	5	0,5s	3	EPSA 517.1 250/5 5,0 0,5S-WA 50X12 70-55	<b>77517-1746</b>
300	5	2,5	0,5	3	EPSA 517.1 300/5 2,5 0,5-WA 50X12 70-55	<b>77517-1832</b>

## PTB-compliant current transformers for billing purposes

► Technical data, page 320



77517-1842

### EPSA 517.1

#### Features:

- Window-type current transformer, PTB-compliant
- Primary busbar 50 x 12 mm (40 x 30), supplied with secondary terminal cover (SKLAD)

Primary current	Secondary current	VA	Accuracy class	PU	Product designation	Order no.
300	5	2,5	0,5s	3	EPSA 517.1 300/5 2,5 0,5s-WA 50X12 70-55	<b>77517-1836</b>
300	5	5	0,5	3	EPSA 517.1 300/5 5,0 0,5-WA 50X12 70-55	<b>77517-1842</b>
300	5	5	0,5s	3	EPSA 517.1 300/5 5,0 0,5s-WA 50X12 70-55	<b>77517-1846</b>
400	5	2,5	0,5	3	EPSA 517.1 400/5 2,5 0,5-WA 50X12 70-55	<b>77517-1932</b>
400	5	2,5	0,5s	3	EPSA 517.1 400/5 2,5 0,5s-WA 50X12 70-55	<b>77517-1936</b>
400	5	5	0,5s	3	EPSA 517.1 400/5 5,0 0,5s-WA 50X12 70-55	<b>77517-1946</b>
400	5	10	0,5s	3	EPSA 517.1 400/5 10 0,5s-WA 50X12 70-55	<b>77517-1966</b>
500	5	2,5	0,2	3	EPSA 517.1 500/5 2,5 0,2-WA 50X12 70-55	<b>77517-2031</b>
500	5	2,5	0,5	3	EPSA 517.1 500/5 2,5 0,5-WA 50X12 70-55	<b>77517-2032</b>
500	5	5	0,2	3	EPSA 517.1 500/5 5,0 0,2-WA 50X12 70-55	<b>77517-2041</b>
500	5	5	0,5	3	EPSA 517.1 500/5 5,0 0,5-WA 50X12 70-55	<b>77517-2042</b>
500	5	5	0,5s	3	EPSA 517.1 500/5 5,0 0,5s-WA 50X12 70-55	<b>77517-2046</b>
500	5	10	0,5	3	EPSA 517.1 500/5 10 0,5-WA 50X12 70-55	<b>77517-2062</b>
500	5	10	0,5s	3	EPSA 517.1 500/5 10 0,5s-WA 50X12 70-55	<b>77517-2066</b>
600	5	2,5	0,2	3	EPSA 517.1 600/5 2,5 0,2-WA 50X12 70-55	<b>77517-2131</b>
600	5	2,5	0,5	3	EPSA 517.1 600/5 2,5 0,5-WA 50X12 70-55	<b>77517-2132</b>
600	5	2,5	0,5s	3	EPSA 517.1 600/5 2,5 0,5s-WA 50X12 70-55	<b>77517-2136</b>
600	5	5	0,2	3	EPSA 517.1 600/5 5,0 0,2-WA 50X12 70-55	<b>77517-2141</b>
600	5	5	0,5	3	EPSA 517.1 600/5 5,0 0,5-WA 50X12 70-55	<b>77517-2142</b>
600	5	5	0,5s	3	EPSA 517.1 600/5 5,0 0,5s-WA 50X12 70-55	<b>77517-2146</b>
600	5	10	0,5	3	EPSA 517.1 600/5 10 0,5-WA 50X12 70-55	<b>77517-2162</b>
600	5	10	0,5s	3	EPSA 517.1 600/5 10 0,5s-WA 50X12 70-55	<b>77517-2166</b>
750	5	2,5	0,5	3	EPSA 517.1 750/5 2,5 0,5-WA 50X12 70-55	<b>77517-2232</b>
750	5	2,5	0,5s	3	EPSA 517.1 750/5 2,5 0,5s-WA 50X12 70-55	<b>77517-2236</b>
750	5	5	0,2	3	EPSA 517.1 750/5 5,0 0,2-WA 50X12 70-55	<b>77517-2241</b>
750	5	5	0,5	3	EPSA 517.1 750/5 5,0 0,5-WA 50X12 70-55	<b>77517-2242</b>
750	5	5	0,5s	3	EPSA 517.1 750/5 5,0 0,5s-WA 50X12 70-55	<b>77517-2246</b>
750	5	10	0,5	3	EPSA 517.1 750/5 10 0,5-WA 50X12 70-55	<b>77517-2262</b>
750	5	10	0,5s	3	EPSA 517.1 750/5 10 0,5s-WA 50X12 70-55	<b>77517-2266</b>
800	5	2,5	0,2	3	EPSA 517.1 800/5 2,5 0,2-WA 50X12 70-55	<b>77517-2331</b>
800	5	2,5	0,5	3	EPSA 517.1 800/5 2,5 0,5-WA 50X12 70-55	<b>77517-2332</b>
800	5	2,5	0,5s	3	EPSA 517.1 800/5 2,5 0,5s-WA 50X12 70-55	<b>77517-2336</b>
800	5	5	0,2	3	EPSA 517.1 800/5 5,0 0,2-WA 50X12 70-55	<b>77517-2341</b>
800	5	5	0,5	3	EPSA 517.1 800/5 5,0 0,5-WA 50X12 70-55	<b>77517-2342</b>
800	5	5	0,5s	3	EPSA 517.1 800/5 5,0 0,5s-WA 50X12 70-55	<b>77517-2346</b>
800	5	10	0,2	3	EPSA 517.1 800/5 10 0,2-WA 50X12 70-55	<b>77517-2361</b>
800	5	10	0,5	3	EPSA 517.1 800/5 10 0,5-WA 50X12 70-55	<b>77517-2362</b>
800	5	10	0,5s	3	EPSA 517.1 800/5 10 0,5s-WA 50X12 70-55	<b>77517-2366</b>
1000	5	2,5	0,2	3	EPSA 517.1 1000/5 2,5 0,2-WA 50X12 70-55	<b>77517-2431</b>
1000	5	2,5	0,5	3	EPSA 517.1 1000/5 2,5 0,5-WA 50X12 70-55	<b>77517-2432</b>
1000	5	2,5	0,5s	3	EPSA 517.1 1000/5 2,5 0,5s-WA 50X12 70-55	<b>77517-2436</b>
1000	5	5	0,2	3	EPSA 517.1 1000/5 5 0,2-WA 50X12 70-55	<b>77517-2441</b>
1000	5	5	0,5	3	EPSA 517.1 1000/5 5,0 0,5-WA 50X12 70-55	<b>77517-2442</b>
1000	5	5	0,5s	3	EPSA 517.1 1000/5 5 0,5s-WA 50X12 70-55	<b>77517-2446</b>
1000	5	10	0,2	3	EPSA 517.1 1000/5 10 0,2-WA 50X12 70-55	<b>77517-2461</b>
1000	5	10	0,5	3	EPSA 517.1 1000/5 10 0,5-WA 50X12 70-55	<b>77517-2462</b>
1000	5	10	0,5s	3	EPSA 517.1 1000/5 10 0,5s-WA 50X12 70-55	<b>77517-2466</b>

## PTB-compliant current transformers for billing purposes

► Technical data, page 320



77516-1831

### EPSA 514

#### Features:

- Window-type current transformer, PTB-compliant
- Primary busbar 50 x 12 mm (40 x 30), supplied with secondary terminal cover (SKLAD)

Primary current	Secondary current	VA	Accuracy class	PU	Product designation	Order no.
300	5	2,5	0,2	1	EPSA 514 300/5 2,5 0,2-WA 40X30 100-40	<b>77516-1831</b>
300	5	5	0,2	1	EPSA 514 300/5 5 0,2-WA 40X30 100-40	<b>77516-1841</b>
300	5	5	0,5	1	EPSA 514 300/5 5,0 0,5-WA 40X30 100-40	<b>77516-1842</b>
300	5	5	0,5s	1	EPSA 514 300/5 5 0,5s-WA 40X30 100-40	<b>77516-1846</b>
300	5	10	0,2	1	EPSA 514 300/5 10 0,2-WA 40X30 100-40	<b>77516-1861</b>
300	5	10	0,5	1	EPSA 514 300/5 10 0,5-WA 40X30 100-40	<b>77516-1862</b>
300	5	10	0,5s	1	EPSA 514 300/5 10 0,5s-WA 40X30 100-40	<b>77516-1866</b>
300	5	15	0,5	1	EPSA 514 300/5 15 0,5-WA 40X30 100-40	<b>77516-1872</b>
300	5	15	0,5s	1	EPSA 514 300/5 15 0,5s-WA 40X30 100-40	<b>77516-1876</b>
400	5	2,5	0,2	1	EPSA 514 400/5 2,5 0,2-WA 40X30 100-40	<b>77516-1931</b>
400	5	5	0,2	1	EPSA 514 400/5 5 0,2-WA 40X30 100-40	<b>77516-1941</b>
400	5	5	0,5	1	EPSA 514 400/5,0 0,5-WA 40X30 100-40	<b>77516-1942</b>
400	5	5	0,5s	1	EPSA 514 400/5,0 0,5s-WA 40X30 100-40	<b>77516-1946</b>
400	5	10	0,2	1	EPSA 514 400/5 10 0,2-WA 40X30 100-40	<b>77516-1961</b>
400	5	10	0,5	1	EPSA 514 400/5 10 0,5-WA 40X30 100-40	<b>77516-1962</b>
400	5	15	0,5	1	EPSA 514 400/5 15 0,5-WA 40X30 100-40	<b>77516-1972</b>
400	5	15	0,5s	1	EPSA 514 400/5 15 0,5s-WA 40X30 100-40	<b>77516-1976</b>
500	5	5	0,2	1	EPSA 514 500/5 5 0,2-WA 40X30 100-40	<b>77516-2041</b>
500	5	5	0,5	1	EPSA 514 500/5 5 0,5-WA 40X30 100-40	<b>77516-2042</b>
500	5	5	0,5s	1	EPSA 514 500/5 5 0,5s-WA 40X30 100-40	<b>77516-2046</b>
500	5	10	0,2	1	EPSA 514 500/5 10 0,2-WA 40X30 100-40	<b>77516-2061</b>
500	5	10	0,5	1	EPSA 514 500/5 10 0,5-WA 40X30 100-40	<b>77516-2062</b>
500	5	10	0,5s	1	EPSA 514 500/5 10 0,5s-WA 40X30 100-40	<b>77516-2066</b>
500	5	15	0,5	1	EPSA 514 500/5 15 0,5-WA 40X30 100-40	<b>77516-2072</b>
500	5	15	0,5s	1	EPSA 514 500/5 15 0,5s-WA 40X30 100-40	<b>77516-2076</b>
600	5	5	0,2	1	EPSA 514 600/5 5 0,2-WA 40X30 100-40	<b>77516-2141</b>
600	5	5	0,5	1	EPSA 514 600/5 5 0,5-WA 40X30 100-40	<b>77516-2142</b>
600	5	5	0,5s	1	EPSA 514 600/5 5 0,5s-WA 40X30 100-40	<b>77516-2146</b>
600	5	10	0,2	1	EPSA 514 600/5 10 0,2-WA 40X30 100-40	<b>77516-2161</b>
600	5	10	0,5	1	EPSA 514 600/5 10 0,5-WA 40X30 100-40	<b>77516-2162</b>
600	5	10	0,5s	1	EPSA 514 600/5 10 0,5s-WA 40X30 100-40	<b>77516-2166</b>
600	5	15	0,5	1	EPSA 514 600/5 15 0,5-WA 40X30 100-40	<b>77516-2172</b>
600	5	15	0,5s	1	EPSA 514 600/5 15 0,5s-WA 40X30 100-40	<b>77516-2176</b>
600	5	30	0,5	1	EPSA 514 600/5 30 0,5-WA 40X30 100-40	<b>77516-2182</b>
600	5	30	0,5s	1	EPSA 514 600/5 30 0,5s-WA 40X30 100-40	<b>77516-2186</b>
750	5	5	0,2	1	EPSA 514 750/5 5 0,2-WA 40X30 100-40	<b>77516-2241</b>
750	5	5	0,5	1	EPSA 514 750/5 5 0,5-WA 40X30 100-40	<b>77516-2242</b>
750	5	5	0,5s	1	EPSA 514 750/5 5 0,5s-WA 40X30 100-40	<b>77516-2246</b>
750	5	10	0,2	1	EPSA 514 750/5 10 0,2-WA 40X30 100-40	<b>77516-2261</b>
750	5	10	0,5	1	EPSA 514 750/5 10 0,5-WA 40X30 100-40	<b>77516-2262</b>
750	5	15	0,2	1	EPSA 514 750/5 15 0,2-WA 40X30 100-40	<b>77516-2271</b>
750	5	15	0,5	1	EPSA 514 750/5 15 0,5-WA 40X30 100-40	<b>77516-2272</b>
750	5	15	0,5s	1	EPSA 514 750/5 15 0,5s-WA 40X30 100-40	<b>77516-2276</b>
750	5	30	0,5	1	EPSA 514 750/5 30 0,5-WA 40X30 100-40	<b>77516-2282</b>
750	5	30	0,5s	1	EPSA 514 750/5 30 0,5s-WA 40X30 100-40	<b>77516-2286</b>
800	5	5	0,2	1	EPSA 514 800/5 5 0,2-WA 40X30 100-40	<b>77516-2341</b>
800	5	5	0,5	1	EPSA 514 800/5 5 0,5-WA 40X30 100-40	<b>77516-2342</b>
800	5	5	0,5s	1	EPSA 514 800/5 5 0,5s-WA 40X30 100-40	<b>77516-2346</b>
800	5	10	0,2	1	EPSA 514 800/5 10 0,2-WA 40X30 100-40	<b>77516-2361</b>
800	5	10	0,5	1	EPSA 514 800/5 10 0,5-WA 40X30 100-40	<b>77516-2362</b>
800	5	10	0,5s	1	EPSA 514 800/5 10 0,5s-WA 40X30 100-40	<b>77516-2366</b>
800	5	15	0,2	1	EPSA 514 800/5 15 0,2-WA 40X30 100-40	<b>77516-2371</b>
800	5	15	0,5	1	EPSA 514 800/5 15 0,5-WA 40X30 100-40	<b>77516-2372</b>
800	5	15	0,5s	1	EPSA 514 800/5 15 0,5s-WA 40X30 100-40	<b>77516-2376</b>
800	5	30	0,2	1	EPSA 514 800/5 30 0,2-WA 40X30 100-40	<b>77516-2381</b>

## PTB-compliant current transformers for billing purposes

► Technical data, page 320



77516-1831

### EPSA 514

#### Features:

- Window-type current transformer, PTB-compliant
- Primary busbar 50 x 12 mm (40 x 30), supplied with secondary terminal cover (SKLAD)

Primary current	Secondary current	VA	Accuracy class	PU	Product designation	Order no.
800	5	30	0,5	1	EPSA 514 800/5 30 0,5-WA 40X30 100-40	<b>77516-2382</b>
800	5	30	0,5s	1	EPSA 514 800/5 30 0,5s-WA 40X30 100-40	<b>77516-2386</b>
1000	5	5	0,2	1	EPSA 514 1000/5 5 0,2-WA 40X30 100-40	<b>77516-2441</b>
1000	5	5	0,5	1	EPSA 514 1000/5 5 0,5-WA 40X30 100-40	<b>77516-2442</b>
1000	5	5	0,5s	1	EPSA 514 1000/5 5 0,5s-WA 40X30 100-40	<b>77516-2446</b>
1000	5	10	0,2	1	EPSA 514 1000/5 10 0,2-WA 40X30 100-40	<b>77516-2461</b>
1000	5	10	0,5	1	EPSA 514 1000/5 10 0,5-WA 40X30 100-40	<b>77516-2462</b>
1000	5	10	0,5s	1	EPSA 514 1000/5 10 0,5s-WA 40X30 100-40	<b>77516-2466</b>
1000	5	15	0,2	1	EPSA 514 1000/5 15 0,2-WA 40X30 100-40	<b>77516-2471</b>
1000	5	15	0,5	1	EPSA 514 1000/5 15 0,5-WA 40X30 100-40	<b>77516-2472</b>
1000	5	15	0,5s	1	EPSA 514 1000/5 15 0,5s-WA 40X30 100-40	<b>77516-2476</b>
1000	5	30	0,2	1	EPSA 514 1000/5 30 0,2-WA 40X30 100-40	<b>77516-2481</b>
1000	5	30	0,5	1	EPSA 514 1000/5 30 0,5-WA 40X30 100-40	<b>77516-2482</b>
1000	5	30	0,5s	1	EPSA 514 1000/5 30 0,5s-WA 40X30 100-40	<b>77516-2486</b>
1200	5	5	0,2	1	EPSA 514 1200/5 5 0,2-WA 40X30 100-40	<b>77516-2541</b>
1200	5	5	0,5	1	EPSA 514 1200/5 5 0,5-WA 40X30 100-40	<b>77516-2542</b>
1200	5	5	0,5s	1	EPSA 514 1200/5 5 0,5s-WA 40X30 100-40	<b>77516-2546</b>
1200	5	10	0,2	1	EPSA 514 1200/5 10 0,2-WA 40X30 100-40	<b>77516-2561</b>
1200	5	10	0,5	1	EPSA 514 1200/5 10 0,5-WA 40X30 100-40	<b>77516-2562</b>
1200	5	10	0,5s	1	EPSA 514 1200/5 10 0,5s-WA 40X30 100-40	<b>77516-2566</b>
1200	5	15	0,2	1	EPSA 514 1200/5 15 0,2-WA 40X30 100-40	<b>77516-2571</b>
1200	5	15	0,5	1	EPSA 514 1200/5 15 0,5-WA 40X30 100-40	<b>77516-2572</b>
1200	5	15	0,5s	1	EPSA 514 1200/5 15 0,5s-WA 40X30 100-40	<b>77516-2576</b>
1200	5	30	0,2	1	EPSA 514 1200/5 30 0,2-WA 40X30 100-40	<b>77516-2581</b>
1200	5	30	0,5	1	EPSA 514 1200/5 30 0,5-WA 40X30 100-40	<b>77516-2582</b>
1200	5	30	0,5s	1	EPSA 514 1200/5 30 0,5s-WA 40X30 100-40	<b>77516-2586</b>
1250	5	5	0,2	1	EPSA 514 1250/5 5 0,2-WA 40X30 100-40	<b>77516-2641</b>
1250	5	5	0,5	1	EPSA 514 1250/5 5 0,5-WA 40X30 100-40	<b>77516-2642</b>
1250	5	5	0,5s	1	EPSA 514 1250/5 5 0,5s-WA 40X30 100-40	<b>77516-2646</b>
1250	5	10	0,2	1	EPSA 514 1250/5 10 0,2-WA 40X30 100-40	<b>77516-2661</b>
1250	5	10	0,5	1	EPSA 514 1250/5 10 0,5-WA 40X30 100-40	<b>77516-2662</b>
1250	5	10	0,5s	1	EPSA 514 1250/5 10 0,5s-WA 40X30 100-40	<b>77516-2666</b>
1250	5	15	0,2	1	EPSA 514 1250/5 15 0,2-WA 40X30 100-40	<b>77516-2671</b>
1250	5	15	0,5	1	EPSA 514 1250/5 15 0,5-WA 40X30 100-40	<b>77516-2672</b>
1250	5	15	0,5s	1	EPSA 514 1250/5 15 0,5s-WA 40X30 100-40	<b>77516-2676</b>
1250	5	30	0,2	1	EPSA 514 1250/5 30 0,2-WA 40X30 100-40	<b>77516-2681</b>
1250	5	30	0,5	1	EPSA 514 1250/5 30 0,5-WA 40X30 100-40	<b>77516-2682</b>
1250	5	30	0,5s	1	EPSA 514 1250/5 30 0,5s-WA 40X30 100-40	<b>77516-2686</b>



77522-2542

### EPSA 614

#### Features:

- Window-type current transformer, PTB-compliant
- Primary busbar 60 x 12 mm (50 x 30), supplied with secondary terminal cover (SKLAD)

Primary current	Secondary current	VA	Accuracy class	PU	Product designation	Order no.
300	5	2,5	0,5	3	EPSA 614 300/5 2,5 0,5-WA 60X10 100-40	<b>77522-1832</b>
300	5	2,5	0,5s	3	EPSA 614 300/5 2,5 0,5s-WA 60X10 100-40	<b>77522-1836</b>
300	5	5	0,5	3	EPSA 614 300/5 5,0 0,5-WA 60X10 100-40	<b>77522-1842</b>
500	5	5	0,5	3	EPSA 614 500/5 5,0 0,5-WA 60X10 100-40	<b>77522-2042</b>
600	5	10	0,5s	3	EPSA 614 600/5 10 0,5s-WA 60X10 100-40	<b>77522-2166</b>
800	5	10	0,5	3	EPSA 614 800/5 10 0,5-WA 60X10 100-40	<b>77522-2362</b>
300	5	5	0,5s	3	EPSA 614 300/5 5,0 0,5s-WA 60X10 100-40	<b>77522-1846</b>
400	5	2,5	0,2	3	EPSA 614 400/5 2,5 0,2-WA 60X10 100-40	<b>77522-1931</b>
400	5	2,5	0,5	3	EPSA 614 400/5 2,5 0,5-WA 60X10 100-40	<b>77522-1932</b>
400	5	2,5	0,5s	3	EPSA 614 400/5 2,5 0,5s-WA 60X10 100-40	<b>77522-1936</b>
400	5	5	0,2	3	EPSA 614 400/5 5,0 0,2-WA 60X10 100-40	<b>77522-1941</b>

## PTB-compliant current transformers for billing purposes

► Technical data, page 320

### EPSA 614

#### Features:

- Window-type current transformer, PTB-compliant
- Primary busbar 60 x 12 mm (50 x 30), supplied with secondary terminal cover (SKLAD)

Primary current	Secondary current	VA	Accuracy class	PU	Product designation	Order no.
400	5	5	0,5	3	EPSA 614 400/5 5,0 0,5-WA 60X10 100-40	<b>77522-1942</b>
400	5	5	0,5s	3	EPSA 614 400/5 5,0 0,5s-WA 60X10 100-40	<b>77522-1946</b>
400	5	10	0,5	3	EPSA 614 400/5 10 0,5-WA 60X10 100-40	<b>77522-1962</b>
400	5	10	0,5s	3	EPSA 614 400/5 10 0,5s-WA 60X10 100-40	<b>77522-1966</b>
500	5	2,5	0,2	3	EPSA 614 500/5 2,5 0,2-WA 60X10 100-40	<b>77522-2031</b>
500	5	2,5	0,5	3	EPSA 614 500/5 2,5 0,5-WA 60X10 100-40	<b>77522-2032</b>
500	5	2,5	0,5s	3	EPSA 614 500/5 2,5 0,5s-WA 60X10 100-40	<b>77522-2036</b>
500	5	5	0,2	3	EPSA 614 500/5 5,0 0,2-WA 60X10 100-40	<b>77522-2041</b>
500	5	5	0,5s	3	EPSA 614 500/5 5,0 0,5s-WA 60X10 100-40	<b>77522-2046</b>
500	5	10	0,5	3	EPSA 614 500/5 10 0,5-WA 60X10 100-40	<b>77522-2062</b>
500	5	10	0,5s	3	EPSA 614 500/5 10 0,5s-WA 60X10 100-40	<b>77522-2066</b>
600	5	5	0,2	3	EPSA 614 600/5 5,0 0,2-WA 60X10 100-40	<b>77522-2141</b>
600	5	5	0,5	3	EPSA 614 600/5 5,0 0,5-WA 60X10 100-40	<b>77522-2142</b>
600	5	5	0,5s	3	EPSA 614 600/5 5,0 0,5s-WA 60X10 100-40	<b>77522-2146</b>
600	5	10	0,2	3	EPSA 614 600/5 10 0,2	<b>77522-2161</b>
600	5	10	0,5	3	EPSA 614 600/5 10 0,5-WA 60X10 100-40	<b>77522-2162</b>
600	5	15	0,5	3	EPSA 614 600/5 15 0,5-WA 60X10 100-40	<b>77522-2172</b>
600	5	15	0,5s	3	EPSA 614 600/5 15 0,5s	<b>77522-2176</b>
750	5	5	0,2	3	EPSA 614 750/5 5,0 0,2-WA 60X10 100-40	<b>77522-2241</b>
750	5	5	0,5	3	EPSA 614 750/5 5,0 0,5-WA 60x10 100-40	<b>77522-2242</b>
750	5	5	0,5s	3	EPSA 614 750/5 5,0 0,5s-WA 60X10 100-40	<b>77522-2246</b>
750	5	10	0,2	3	EPSA 614 750/5 10 0,2	<b>77522-2261</b>
750	5	10	0,5	3	EPSA 614 750/5 10 0,5-WA 60X10 100-40	<b>77522-2262</b>
750	5	10	0,5s	3	EPSA 614 750/5 10 0,5s-WA 60X10 100-40	<b>77522-2266</b>
750	5	15	0,5	3	EPSA 614 750/5 15 0,5-WA 60X10 100-40	<b>77522-2272</b>
750	5	15	0,5s	3	EPSA 614 750/5 15 0,5s-WA 60X10 100-40	<b>77522-2276</b>
800	5	5	0,2	3	EPSA 614 800/5 5,0 0,2-WA 60X10 100-40	<b>77522-2341</b>
800	5	5	0,5	3	EPSA 614 800/5 5,0 0,5-WA 60X10 100-40	<b>77522-2342</b>
800	5	5	0,5s	3	EPSA 614 800/5 5,0 0,5s-WA 60X10 100-40	<b>77522-2346</b>
800	5	10	0,2	3	EPSA 614 800/5 10 0,2	<b>77522-2361</b>
800	5	10	0,5s	3	EPSA 614 800/5 10 0,5s-WA 60X10 100-40	<b>77522-2366</b>
800	5	15	0,5	3	EPSA 614 800/5 15 0,5-WA 60X10 100-40	<b>77522-2372</b>
800	5	15	0,5s	3	EPSA 614 800/5 15 0,5s-WA 60X10 100-40	<b>77522-2376</b>
1000	5	5	0,2	3	EPSA 614 1000/5 5,0 0,2-WA 60x10 100-40	<b>77522-2441</b>
1000	5	5	0,5	3	EPSA 614 1000/5 5,0 0,5-WA 60X10 100-40	<b>77522-2442</b>
1000	5	5	0,5s	3	EPSA 614 1000/5 5,0 0,5s-WA 60x10 100-40	<b>77522-2446</b>
1000	5	10	0,2	3	EPSA 614 1000/5 10 0,2-WA 60X10 100-40	<b>77522-2461</b>
1000	5	10	0,5	3	EPSA 614 1000/5 10 0,5-WA 60X10 100-40	<b>77522-2462</b>
1000	5	10	0,5s	3	EPSA 614 1000/5 10 0,5s-WA 60X10 100-40	<b>77522-2466</b>
1000	5	15	0,5	3	EPSA 614 1000/5 15 0,5-WA 60X10 100-40	<b>77522-2472</b>
1000	5	15	0,5s	3	EPSA 614 1000/5 15 0,5s-WA 60X10 100-40	<b>77522-2476</b>
1200	5	5	0,2	3	EPSA 614 1200/5 10 0,2-WA 60X10 100-40	<b>77522-2541</b>
1200	5	5	0,5	3	EPSA 614 1200/5 5 0,5-WA 60x10 100-40	<b>77522-2542</b>
1200	5	5	0,5s	3	EPSA 614 1200/5 5 0,5s - WA 60X10 100-40	<b>77522-2546</b>
1200	5	10	0,2	3	EPSA 614 1200/5 10 0,2-WA 60X10 100-40	<b>77522-2561</b>
1200	5	10	0,5	3	EPSA 614 1200/5 10 0,5-WA 60X10 100-40	<b>77522-2562</b>
1200	5	10	0,5s	3	EPSA 614 1200/5 10 0,5s-WA 60X10 100-40	<b>77522-2566</b>
1200	5	15	0,2	3	EPSA 614 1200/5 15 0,2-WA 60X10 100-40	<b>77522-2571</b>
1200	5	15	0,5	3	EPSA 614 1200/5 15 0,5-WA 60X10 100-40	<b>77522-2572</b>
1200	5	15	0,5s	3	EPSA 614 1200/5 15 0,5s-WA 60X10 100-40	<b>77522-2576</b>
1200	5	30	0,5	3	EPSA 614 1200/5 30 0,5-WA 60X10 100-40	<b>77522-2582</b>
1200	5	30	0,5s	3	EPSA 614 1200/5 30 0,5s-WA 60X10 100-40	<b>77522-2586</b>
1250	5	5	0,2	3	EPSA 614 1250/5 10 0,2-WA 60X10 100-40	<b>77522-2641</b>
1250	5	5	0,5	3	EPSA 614 1250/5 10 0,5-WA 60X10 100-40	<b>77522-2642</b>
1250	5	5	0,5s	3	EPSA 614 1250/5 5 0,5s-WA 60X10 100-40	<b>77522-2646</b>

# PTB-compliant current transformers for billing purposes

► Technical data, page 320

## EPSA 614

### Features:

- Window-type current transformer, PTB-compliant
- Primary busbar 60 x 12 mm (50 x 30), supplied with secondary terminal cover (SKLAD)

Primary current	Secondary current	VA	Accuracy class	PU	Product designation	Order no.
1250	5	10	0,2	3	EPSA 614 1250/5 10 0,2-WA 60X10 100-40	<b>77522-2661</b>
1250	5	10	0,5	3	EPSA 614 1250/5 10 0,5-WA 60X10 100-40	<b>77522-2662</b>
1250	5	10	0,5s	3	EPSA 614 1250/5 10 0,5s-WA 60X10 100-40	<b>77522-2666</b>
1250	5	15	0,2	3	EPSA 614 1250/5 15 0,2-WA 60X10 100-40	<b>77522-2671</b>
1250	5	15	0,5	3	EPSA 614 1250/5 15 0,5-WA 60X10 100-40	<b>77522-2672</b>
1250	5	15	0,5s	3	EPSA 614 1250/5 15 0,5s-WA 60X10 100-40	<b>77522-2676</b>
1250	5	30	0,2	3	EPSA 614 1250/5 30 0,2-WA 60X10 100-40	<b>77522-2681</b>
1250	5	30	0,5	3	EPSA 614 1250/5 30 0,5-WA 60X10 100-40	<b>77522-2682</b>
1250	5	30	0,5s	3	EPSA 614 1250/5 30 0,5s-WA 60X10 100-40	<b>77522-2686</b>
1500	5	5	0,2	3	EPSA 614 1500/5 10 0,2-WA 60X10 100-40	<b>77522-2741</b>
1500	5	5	0,5	3	EPSA 614 1500/5 10 0,5-WA 60X10 100-40	<b>77522-2742</b>
1500	5	5	0,5s	3	EPSA 614 1500/5 5 0,5s-WA 60X10 100-40	<b>77522-2746</b>
1500	5	10	0,2	3	EPSA 614 1500/5 10 0,2-WA 60X10 100-40	<b>77522-2761</b>
1500	5	10	0,5	3	EPSA 614 1500/5 10 0,5-WA 60X10 100-40	<b>77522-2762</b>
1500	5	10	0,5s	3	EPSA 614 1500/5 10 0,5s-WA 60X10 100-40	<b>77522-2766</b>
1500	5	15	0,2	3	EPSA 614 1500/5 15 0,2-WA 60X10 100-40	<b>77522-2771</b>
1500	5	15	0,5	3	EPSA 614 1500/5 15 0,5-WA 60X10 100-40	<b>77522-2772</b>
1500	5	15	0,5s	3	EPSA 614 1500/5 15 0,5s-WA 60X10 100-40	<b>77522-2776</b>
1500	5	30	0,2	3	EPSA 614 1500/5 30 0,2-WA 60X10 100-40	<b>77522-2781</b>
1500	5	30	0,5	3	EPSA 614 1500/5 30 0,5-WA 60X10 100-40	<b>77522-2782</b>
1500	5	30	0,5s	3	EPSA 614 1500/5 30 0,5s-WA 60X10 100-40	<b>77522-2786</b>

## EPSA 634

### Features:

- Window-type current transformer, PTB-compliant
- Primary busbar 60 x 30 mm (50 x 40), supplied with secondary terminal cover (SKLAD)

Primary current	Secondary current	VA	Accuracy class	PU	Product designation	Order no.
400	5	2,5	0,2	3	EPSA 634 400/5 2,5 0,2-WA 60X30 100-40	<b>77523-1931</b>
400	5	2,5	0,5	3	EPSA 634 400/5 2,5 0,5-WA 60X30 100-40	<b>77523-1932</b>
400	5	2,5	0,5s	3	EPSA 634 400/5 2,5 0,5s-WA 60X30 100-40	<b>77523-1936</b>
400	5	5	0,5	3	EPSA 634 400/5 5 0,5-WA 60X30 100-40	<b>77523-1942</b>
400	5	5	0,5s	3	EPSA 634 400/5 5 0,5s-WA 60X30 100-40	<b>77523-1946</b>
500	5	2,5	0,2	3	EPSA 634 500/5 2,5 0,2-WA 60X30 100-40	<b>77523-2031</b>
500	5	2,5	0,5	3	EPSA 634 500/5 2,5 0,5-WA 60X30 100-40	<b>77523-2032</b>
500	5	2,5	0,5s	3	EPSA 634 500/5 2,5 0,5s-WA 60X30 100-40	<b>77523-2036</b>
500	5	5	0,2	3	EPSA 634 500/5 5 0,2-WA 60X30 100-40	<b>77523-2041</b>
500	5	5	0,5	3	EPSA 634 500/5 5 0,5-WA 60X30 100-40	<b>77523-2042</b>
500	5	5	0,5s	3	EPSA 634 500/5 5 0,5s-WA 60X30 100-40	<b>77523-2046</b>
500	5	10	0,5	3	EPSA 634 500/5 10 0,5-WA 60X30 100-40	<b>77523-2062</b>
500	5	10	0,5s	3	EPSA 634 500/5 10 0,5s-WA 60X30 100-40	<b>77523-2066</b>
600	5	2,5	0,2	3	EPSA 634 600/5 2,5 0,2-WA 60X30 100-40	<b>77523-2131</b>
600	5	5	0,2	3	EPSA 634 600/5 5 0,2-WA 60X30 100-40	<b>77523-2141</b>
750	5	2,5	0,2	3	EPSA 634 750/5 2,5 0,2-WA 60X30 100-40	<b>77523-2231</b>
750	5	5	0,2	3	EPSA 634 750/5 5 0,2-WA 60X30 100-40	<b>77523-2241</b>
750	5	10	0,2	3	EPSA 634 750/5 10 0,2-WA 60X30 100-40	<b>77523-2261</b>
800	5	2,5	0,2	3	EPSA 634 800/5 2,5 0,2-WA 60X30 100-40	<b>77523-2331</b>
800	5	5	0,2	3	EPSA 634 800/5 5 0,2-WA 60X30 100-40	<b>77523-2341</b>
800	5	5	0,5	3	EPSA 634 800/5 5 0,5-WA 60X30 100-40	<b>77523-2342</b>
800	5	5	0,5s	3	EPSA 634 800/5 5 0,5s-WA 60X30 100-40	<b>77523-2346</b>
800	5	10	0,2	3	EPSA 634 800/5 10 0,2-WA 60X30 100-40	<b>77523-2361</b>
800	5	10	0,5	3	EPSA 634 800/5 10 0,5-WA 60X30 100-40	<b>77523-2362</b>
800	5	10	0,5s	3	EPSA 634 800/5 10 0,5s-WA 60X30 100-40	<b>77523-2366</b>
800	5	15	0,5	3	EPSA 634 800/5 15 0,5-WA 60X30 100-40	<b>77523-2372</b>
800	5	15	0,5s	3	EPSA 634 800/5 15 0,5s-WA 60X30 100-40	<b>77523-2376</b>
1000	5	5	0,2	3	EPSA 634 1000/5 5 0,2-WA 60X30 100-40	<b>77523-2441</b>



77523-2032

## PTB-compliant current transformers for billing purposes

► Technical data, page 320



77523-2032

### EPSA 634

#### Features:

- Window-type current transformer, PTB-compliant
- Primary busbar 60 x 30 mm (50 x 40), supplied with secondary terminal cover (SKLAD)

Primary current	Secondary current	VA	Accuracy class	PU	Product designation	Order no.
1000	5	5	0,5	3	EPSA 634 1000/5 5 0,5-WA 60X30 100-40	<u>77523-2442</u>
1000	5	5	0,5s	3	EPSA 634 1000/5 5,0 0,5s-WA 60X30 100-40	<u>77523-2446</u>
1000	5	10	0,2	3	EPSA 634 1000/5 10 0,2-WA 60X30 100-40	<u>77523-2461</u>
1000	5	10	0,5	3	EPSA 634 1000/5 10 0,5-WA 60X30 100-40	<u>77523-2462</u>
1000	5	10	0,5s	3	EPSA 634 1000/5 10 0,5s-WA 60X30 100-40	<u>77523-2466</u>
1000	5	15	0,5	3	EPSA 634 1000/5 15 0,5-WA 60X30 100-40	<u>77523-2472</u>
1000	5	15	0,5s	3	EPSA 634 1000/5 15 0,5s-WA 60X30 100-40	<u>77523-2476</u>
1000	5	30	0,5	3	EPSA 634 1000/5 30 0,5-WA 60X30 100-40	<u>77523-2482</u>
1000	5	30	0,5s	3	EPSA 634 1000/5 30 0,5s-WA 60X30 100-40	<u>77523-2486</u>
1200	5	5	0,2	3	EPSA 634 1200/5 5,0 0,2-WA 60X30 100-40	<u>77523-2541</u>
1200	5	5	0,5	3	EPSA 634 1200/5 5 0,5-WA 60X30 100-40	<u>77523-2542</u>
1200	5	5	0,5s	3	EPSA 634 1200/5 5,0 0,5s-WA 60X30 100-40	<u>77523-2546</u>
1200	5	10	0,2	3	EPSA 634 1200/5 10 0,2-WA 60X30 100-40	<u>77523-2561</u>
1200	5	10	0,5	3	EPSA 634 1200/5 10 0,5-WA 60X30 100-40	<u>77523-2562</u>
1200	5	10	0,5s	3	EPSA 634 1200/5 10 0,5s-WA 60X30 100-40	<u>77523-2566</u>
1200	5	15	0,5	3	EPSA 634 1200/5 15 0,5-WA 60X30 100-40	<u>77523-2572</u>
1200	5	15	0,5s	3	EPSA 634 1200/5 15 0,5s-WA 60X30 100-40	<u>77523-2576</u>
1200	5	30	0,5	3	EPSA 634 1200/5 30 0,5-WA 60X30 100-40	<u>77523-2582</u>
1200	5	30	0,5s	3	EPSA 634 1200/5 30 0,5s-WA 60X30 100-40	<u>77523-2586</u>
1250	5	5	0,2	3	EPSA 634 1250/5 5,0 0,2-WA 60X30 100-40	<u>77523-2641</u>
1250	5	5	0,5	3	EPSA 634 1250/5 5,0 0,5-WA 60X30 100-40	<u>77523-2642</u>
1250	5	5	0,5s	3	EPSA 634 1250/5 5,0 0,5s-WA 60X30 100-40	<u>77523-2646</u>
1250	5	10	0,2	3	EPSA 634 1250/5 10 0,2-WA 60X30 100-40	<u>77523-2661</u>
1250	5	10	0,5	3	EPSA 634 1250/5 10 0,5-WA 60X30 100-40	<u>77523-2662</u>
1250	5	10	0,5s	3	EPSA 634 1250/5 10 0,5s-WA 60X30 100-40	<u>77523-2666</u>
1250	5	15	0,2	3	EPSA 634 1250/5 15 0,2-WA 60X30 100-40	<u>77523-2671</u>
1250	5	15	0,5	3	EPSA 634 1250/5 15 0,5-WA 60X30 100-40	<u>77523-2672</u>
1250	5	15	0,5s	3	EPSA 634 1250/5 15 0,5s-WA 60X30 100-40	<u>77523-2676</u>
1250	5	30	0,5	3	EPSA 634 1250/5 30 0,5-WA 60X30 100-40	<u>77523-2682</u>
1250	5	30	0,5s	3	EPSA 634 1250/5 30 0,5s-WA 60X30 100-40	<u>77523-2686</u>
1500	5	5	0,2	3	EPSA 634 1500/5 5,0 0,2-WA 60X30 100-40	<u>77523-2741</u>
1500	5	5	0,5	3	EPSA 634 1500/5 5,0 0,5-WA 60X30 100-40	<u>77523-2742</u>
1500	5	5	0,5s	3	EPSA 634 1500/5 5,0 0,5s-WA 60X30 100-40	<u>77523-2746</u>
1500	5	10	0,2	3	EPSA 634 1500/5 10 0,2-WA 60X30 100-40	<u>77523-2761</u>
1500	5	10	0,5	3	EPSA 634 1500/5 10 0,5-WA 60X30 100-40	<u>77523-2762</u>
1500	5	10	0,5s	3	EPSA 634 1500/5 10 0,5s-WA 60X30 100-40	<u>77523-2766</u>
1500	5	15	0,2	3	EPSA 634 1500/5 15 0,2-WA 60X30 100-40	<u>77523-2771</u>
1500	5	15	0,5	3	EPSA 634 1500/5 15 0,5-WA 60X30 100-40	<u>77523-2772</u>
1500	5	15	0,5s	3	EPSA 634 1500/5 15 0,5s-WA 60X30 100-40	<u>77523-2776</u>
1500	5	30	0,5	3	EPSA 634 1500/5 30 0,5-WA 60X30 100-40	<u>77523-2782</u>
1500	5	30	0,5s	3	EPSA 634 1500/5 30 0,5s-WA 60X30 100-40	<u>77523-2786</u>
1600	5	5	0,2	3	EPSA 634 1600/5 5,0 0,2-WA 60X30 100-40	<u>77523-2841</u>
1600	5	5	0,5	3	EPSA 634 1600/5 5,0 0,5-WA 60X30 100-40	<u>77523-2842</u>
1600	5	5	0,5s	3	EPSA 634 1600/5 5,0 0,5s-WA 60X30 100-40	<u>77523-2846</u>
1600	5	10	0,2	3	EPSA 634 1600/5 10 0,2-WA 60X30 100-40	<u>77523-2861</u>
1600	5	10	0,5	3	EPSA 634 1600/5 10 0,5-WA 60X30 100-40	<u>77523-2862</u>
1600	5	10	0,5s	3	EPSA 634 1600/5 10 0,5s-WA 60X30 100-40	<u>77523-2866</u>
1600	5	15	0,2	3	EPSA 634 1600/5 15 0,2-WA 60X30 100-40	<u>77523-2871</u>
1600	5	15	0,5	3	EPSA 634 1600/5 15 0,5-WA 60X30 100-40	<u>77523-2872</u>
1600	5	15	0,5s	3	EPSA 634 1600/5 15 0,5s-WA 60X30 100-40	<u>77523-2876</u>
1600	5	30	0,5	3	EPSA 634 1600/5 30 0,5-WA 60X30 100-40	<u>77523-2882</u>
1600	5	30	0,5s	3	EPSA 634 1600/5 30 0,5s-WA 60X30 100-40	<u>77523-2886</u>
2000	5	5	0,2	3	EPSA 634 2000/5 5,0 0,2-WA 60X30 100-40	<u>77523-2941</u>
2000	5	5	0,5	3	EPSA 634 2000/5 5,0 0,5-WA 60X30 100-40	<u>77523-2942</u>
2000	5	5	0,5s	3	EPSA 634 2000/5 5,0 0,5s-WA 60X30 100-40	<u>77523-2946</u>

## PTB-compliant current transformers for billing purposes

► Technical data, page 320



77523-2032

### EPESA 634

#### Features:

- Window-type current transformer, PTB-compliant
- Primary busbar 60 x 30 mm (50 x 40), supplied with secondary terminal cover (SKLAD)

Primary current	Secondary current	VA	Accuracy class	PU	Product designation	Order no.
2000	5	10	0,2	3	EPESA 634 2000/5 10 0,2-WA 60X30 100-40	<b>77523-2961</b>
2000	5	10	0,5	3	EPESA 634 2000/5 10 0,5-WA 60X30 100-40	<b>77523-2962</b>
2000	5	10	0,5s	3	EPESA 634 2000/5 10 0,5s-WA 60X30 100-40	<b>77523-2966</b>
2000	5	15	0,2	3	EPESA 634 2000/5 15 0,2-WA 60X30 100-40	<b>77523-2971</b>
2000	5	15	0,5	3	EPESA 634 2000/5 15 0,5-WA 60X30 100-40	<b>77523-2972</b>
2000	5	15	0,5s	3	EPESA 634 2000/5 15 0,5s-WA 60X30 100-40	<b>77523-2976</b>
2000	5	30	0,5	3	EPESA 634 2000/5 30 0,5-WA 60X30 100-40	<b>77523-2982</b>
2000	5	30	0,5s	3	EPESA 634 2000/5 30 0,5s-WA 60X30 100-40	<b>77523-2986</b>



77524-1932

### EPESA 814

#### Features:

- Window-type current transformer, PTB-compliant
- Primary busbar 80 x 10 mm (60 x 30), supplied with secondary terminal cover (SKLAD)

Primary current	Secondary current	VA	Accuracy class	PU	Product designation	Order no.
400	5	2,5	0,5	3	EPESA 814 400/5 2,5 0,5-WA 80X10 100-40	<b>77524-1932</b>
400	5	2,5	0,5s	3	EPESA 814 400/5 2,5 0,5s-WA 80X10 100-40	<b>77524-1936</b>
400	5	5	0,5	3	EPESA 814 400/5 5,0 0,5-WA 80X10 100-40	<b>77524-1942</b>
400	5	5	0,5s	3	EPESA 814 400/5 5,0 0,5s-WA 80X10 100-40	<b>77524-1946</b>
500	5	2,5	0,2	3	EPESA 814 500/5 2,5 0,2-WA 80X10 100-40	<b>77524-2031</b>
500	5	2,5	0,5	3	EPESA 814 500/5 2,5 0,5-WA 80X10 100-40	<b>77524-2032</b>
500	5	2,5	0,5s	3	EPESA 814 500/5 2,5 0,5s-WA 80X10 100-40	<b>77524-2036</b>
500	5	5	0,5	3	EPESA 814 500/5 5,0 0,5-WA 80X10 100-40	<b>77524-2042</b>
500	5	5	0,5s	3	EPESA 814 500/5 5,0 0,5s-WA 80X10 100-40	<b>77524-2046</b>
600	5	2,5	0,2	3	EPESA 814 600/5 2,5 0,2-WA 80X10 100-40	<b>77524-2131</b>
600	5	2,5	0,5	3	EPESA 814 600/5 2,5 0,5-WA 80X10 100-40	<b>77524-2132</b>
600	5	2,5	0,5s	3	EPESA 814 600/5 2,5 0,5s-WA 80X10 100-40	<b>77524-2136</b>
600	5	5	0,5	3	EPESA 814 600/5 5,0 0,5-WA 80x10 100-40	<b>77524-2142</b>
600	5	5	0,5s	3	EPESA 814 600/5 5,0 0,5s-WA 80X10 100-40	<b>77524-2146</b>
600	5	10	0,5	3	EPESA 814 600/5 10 0,5-WA 80X10 100-40	<b>77524-2162</b>
750	5	2,5	0,2	3	EPESA 814 750/5 2,5 0,2-WA 80X10 100-40	<b>77524-2231</b>
750	5	2,5	0,5	3	EPESA 814 750/5 2,5 0,5-WA 80X10 100-40	<b>77524-2232</b>
750	5	2,5	0,5s	3	EPESA 814 750/5 2,5 0,5s-WA 80X10 100-40	<b>77524-2236</b>
750	5	5	0,2	3	EPESA 814 750/5 5,0 0,2-WA 80X10 100-40	<b>77524-2241</b>
750	5	5	0,5	3	EPESA 814 750/5 5,0 0,5-WA 80X10 100-40	<b>77524-2242</b>
750	5	5	0,5s	3	EPESA 814 750/5 5,0 0,5s-WA 80X10 100-40	<b>77524-2246</b>
750	5	10	0,5	3	EPESA 814 750/5 10 0,5-WA 80X10 100-40	<b>77524-2262</b>
750	5	10	0,5s	3	EPESA 814 750/5 10 0,5s-WA 80X10 100-40	<b>77524-2266</b>
800	5	2,5	0,2	3	EPESA 814 800/5 2,5 0,2-WA 80X10 100-40	<b>77524-2331</b>
800	5	5	0,2	3	EPESA 814 800/5 5,0 0,2-WA 80X10 100-40	<b>77524-2341</b>
800	5	5	0,5	3	EPESA 814 800/5 5,0 0,5-WA 80X10 100-40	<b>77524-2342</b>
800	5	5	0,5s	3	EPESA 814 800/5 5,0 0,5s-WA 80X10 100-40	<b>77524-2346</b>
800	5	10	0,5	3	EPESA 814 800/5 10 0,5-WA 80X10 100-40	<b>77524-2362</b>
800	5	10	0,5s	3	EPESA 814 8000/5 10 0,5s-WA 80X10 100-40	<b>77524-2366</b>
1000	5	2,5	0,2	3	EPESA 814 1000/5 2,5 0,2-WA 80x10 100-40	<b>77524-2431</b>
1000	5	5	0,2	3	EPESA 814 1000/5 5,0 0,2-WA 80X10 100-40	<b>77524-2441</b>
1000	5	5	0,5	3	EPESA 814 1000/5 5,0 0,5-WA 80X10 100-40	<b>77524-2442</b>
1000	5	5	0,5s	3	EPESA 814 1000/5 5,0 0,5s-WA 80X10 100-40	<b>77524-2446</b>
1000	5	10	0,5	3	EPESA 814 1000/5 10 0,5-WA 80X10 100-40	<b>77524-2462</b>
1000	5	10	0,5s	3	EPESA 814 1000/5 10 0,5s-WA 80X10 100-40	<b>77524-2466</b>
1000	5	15	0,5	3	EPESA 814 1000/5 15 0,5-WA 80X10 100-40	<b>77524-2472</b>
1000	5	15	0,5s	3	EPESA 814 1000/5 15 0,5s-WA 80X10 100-40	<b>77524-2476</b>
1200	5	2,5	0,2	3	EPESA 814 1200/5 2,5 0,2-WA 80X10 100-40	<b>77524-2531</b>
1200	5	5	0,2	3	EPESA 814 1200/5 5,0 0,2-WA 80X10 100-40	<b>77524-2541</b>
1200	5	5	0,5	3	EPESA 814 1200/5 5,0 0,5-WA 80X10 100-40	<b>77524-2542</b>
1200	5	5	0,5s	3	EPESA 814 1200/5 5,0 0,5s-WA 80X10 100-40	<b>77524-2546</b>

## PTB-compliant current transformers for billing purposes

► Technical data, page 320



77524-1932

### EPSA 814

**Features:**

- Window-type current transformer, PTB-compliant
- Primary busbar 80 x 10 mm (60 x 30), supplied with secondary terminal cover (SKLAD)

Primary current	Secondary current	VA	Accuracy class	PU	Product designation	Order no.
1200	5	10	0,5	3	EPSA 814 1200/5 10 0,5-WA 80X10 100-40	<b>77524-2562</b>
1200	5	10	0,5s	3	EPSA 814 1200/5 10 0,5s-WA 80X10 100-40	<b>77524-2566</b>
1200	5	15	0,5	3	EPSA 814 1200/5 15 0,5-WA 80X10 100-40	<b>77524-2572</b>
1200	5	15	0,5s	3	EPSA 814 1200/5 15 0,5s-WA 80X10 100-40	<b>77524-2576</b>
1250	5	2,5	0,2	3	EPSA 814 1250/5 2,5 0,2-WA 80X10 100-40	<b>77524-2631</b>
1250	5	5	0,2	3	EPSA 814 1250/5 5,0 0,2-WA 80X10 100-40	<b>77524-2641</b>
1250	5	5	0,5	3	EPSA 814 1250/5 5,0 0,5-WA 80X10 100-40	<b>77524-2642</b>
1250	5	5	0,5s	3	EPSA 814 1250/5 5,0 0,5s-WA 80X10 100-40	<b>77524-2646</b>
1250	5	10	0,5	3	EPSA 814 1250/5 10 0,5-WA 80X10 100-40	<b>77524-2662</b>
1250	5	10	0,5s	3	EPSA 814 1250/5 10 0,5s-WA 80X10 100-40	<b>77524-2666</b>
1250	5	15	0,5	3	EPSA 814 1250/5 15 0,5-WA 80X10 100-40	<b>77524-2672</b>
1250	5	15	0,5s	3	EPSA 814 1250/5 15 0,5s-WA 80X10 100-40	<b>77524-2676</b>
1500	5	2,5	0,2	3	EPSA 814 1500/5 2,5 0,2-WA 80X10 100-40	<b>77524-2731</b>
1500	5	5	0,2	3	EPSA 814 1500/5 5,0 0,2-WA 80X10 100-40	<b>77524-2741</b>
1500	5	5	0,5	3	EPSA 814 1500/5 5,0 0,5-WA 80X10 100-40	<b>77524-2742</b>
1500	5	5	0,5s	3	EPSA 814 1500/5 5,0 0,5s-WA 80X10 100-40	<b>77524-2746</b>
1500	5	10	0,5	3	EPSA 814 1500/5 10 0,5-WA 80X10 100-40	<b>77524-2762</b>
1500	5	10	0,5s	3	EPSA 814 1500/5 10 0,5s-WA 80X10 100-40	<b>77524-2766</b>
1500	5	15	0,5	3	EPSA 814 1500/5 15 0,5-WA 80X10 100-40	<b>77524-2772</b>
1500	5	15	0,5s	3	EPSA 814 1500/5 15 0,5s-WA 80X10 100-40	<b>77524-2776</b>
1600	5	2,5	0,2	3	EPSA 814 1600/5 2,5 0,2-WA 80X10 100-40	<b>77524-2831</b>
1600	5	5	0,2	3	EPSA 814 1600/5 5,0 0,2-WA 80X10 100-40	<b>77524-2841</b>
1600	5	5	0,5	3	EPSA 814 1600/5 5,0 0,5-WA 80X10 100-40	<b>77524-2842</b>
1600	5	5	0,5s	3	EPSA 814 1600/5 5,0 0,5s-WA 80X10 100-40	<b>77524-2846</b>
1600	5	10	0,5	3	EPSA 814 1600/5 10 0,5-WA 80X10 100-40	<b>77524-2862</b>
1600	5	10	0,5s	3	EPSA 814 1600/5 10 0,5s-WA 80X10 100-40	<b>77524-2866</b>
1600	5	15	0,5	3	EPSA 814 1600/5 15 0,5-WA 80X10 100-40	<b>77524-2872</b>
1600	5	15	0,5s	3	EPSA 814 1600/5 15 0,5s-WA 80X10 100-40	<b>77524-2876</b>



77525-3072

### EPSA 1034

**Features:**

- Window-type current transformer, PTB-compliant
- Primary busbar 20 x 100 x 10 mm (80 x 50), supplied with secondary terminal cover (SKLAD)

Primary current	Secondary current	VA	Accuracy class	PU	Product designation	Order no.
600	5	2,5	0,5	1	EPSA 1034 600/5 2,5 0,5-WA2X100X10 135-40	<b>77525-2132</b>
600	5	5	0,5	1	EPSA 1034 600/5 5,0 0,5-WA2X100X10 135-40	<b>77525-2142</b>
600	5	5	0,5s	1	EPSA 1034 600/5 5,0 0,5s-WA2X100X10 135-40	<b>77525-2146</b>
600	5	10	0,5	1	EPSA 1034 600/5 10 0,5-WA2X100X10 135-40	<b>77525-2162</b>
600	5	10	0,5s	1	EPSA 1034 600/5 10 0,5s-WA2X100X10 135-40	<b>77525-2166</b>
750	5	2,5	0,2	1	EPSA 1034 750/5 2,5 0,2-WA2X100X10 135-40	<b>77525-2231</b>
750	5	2,5	0,5	1	EPSA 1034 750/5 2,5 0,5-WA2X100X10 135-40	<b>77525-2232</b>
750	5	2,5	0,5s	1	EPSA 1034 750/5 2,5 0,5s-WA2X100X10 135-40	<b>77525-2236</b>
750	5	5	0,5	1	EPSA 1034 750/5 5,0 0,5-WA2X100X10 135-40	<b>77525-2242</b>
750	5	5	0,5s	1	EPSA 1034 750/5 5,0 0,5s-WA2X100X10 135-40	<b>77525-2246</b>
750	5	10	0,5	1	EPSA 1034 750/5 10 0,5-WA2X100X10 135-40	<b>77525-2262</b>
750	5	10	0,5s	1	EPSA 1034 750/5 10 0,5s-WA2X100X10 135-40	<b>77525-2266</b>
800	5	2,5	0,2	1	EPSA 1034 800/5 2,5 0,2-WA2X100X10 135-40	<b>77525-2331</b>
800	5	2,5	0,5	1	EPSA 1034 800/5 2,5 0,5-WA2X100X10 135-40	<b>77525-2332</b>
800	5	2,5	0,5s	1	EPSA 1034 800/5 2,5 0,5s-WA2X100X10 135-40	<b>77525-2336</b>
800	5	5	0,5	1	EPSA 1034 800/5 5,0 0,5-WA2X100X10 135-40	<b>77525-2342</b>
800	5	5	0,5s	1	EPSA 1034 800/5 5,0 0,5s-WA2X100X10 135-40	<b>77525-2346</b>
800	5	10	0,5	1	EPSA 1034 800/5 10 0,5-WA2X100X10 135-40	<b>77525-2362</b>
800	5	10	0,5s	1	EPSA 1034 800/5 10 0,5s-WA2X100X10 135-40	<b>77525-2366</b>
800	5	15	0,5	1	EPSA 1034 800/5 15 0,5-WA2X100X10 135-40	<b>77525-2372</b>
800	5	15	0,5s	1	EPSA 1034 800/5 15 0,5s-WA2X100X10 135-40	<b>77525-2376</b>

# PTB-compliant current transformers for billing purposes

► Technical data, page 320



77525-3072

## EPSA 1034

### Features:

- Window-type current transformer, PTB-compliant
- Primary busbar 20 x 100 x 10 mm (80 x 50), supplied with secondary terminal cover (SKLAD)

Primary current	Secondary current	VA	Accuracy class	PU	Product designation	Order no.
1000	5	2,5	0,2	1	EPSA 1034 1000/5 2,5 0,2-WA2X100X10 135-40	<b>77525-2431</b>
1000	5	2,5	0,5	1	EPSA 1034 1000/5 2,5 0,5-WA2X100X10 135-40	<b>77525-2432</b>
1000	5	2,5	0,5s	1	EPSA 1034 1000/5 2,5 0,5s-WA2X100X10 135-40	<b>77525-2436</b>
1000	5	5	0,2	1	EPSA 1034 1000/5 5,0 0,2-WA2X100X10 135-40	<b>77525-2441</b>
1000	5	5	0,5	1	EPSA 1034 1000/5 5,0 0,5-WA2X100X10 135-40	<b>77525-2442</b>
1000	5	5	0,5s	1	EPSA 1034 1000/5 5,0 0,5s-WA2x100x110	<b>77525-2446</b>
1000	5	10	0,5	1	EPSA 1034 1000/5 10 0,5-WA2X100X10 135-40	<b>77525-2462</b>
1000	5	10	0,5s	1	EPSA 1034 1000/5 10 0,5s-WA2X100X10 135-40	<b>77525-2466</b>
1000	5	15	0,5	1	EPSA 1034 1000/5 15 0,5-WA2X100X10 135-40	<b>77525-2472</b>
1000	5	15	0,5s	1	EPSA 1034 1000/5 15 0,5s-WA2X100X10 135-40	<b>77525-2476</b>
1200	5	2,5	0,2	1	EPSA 1034 1200/5 2,5 0,2-WA2X100X10 135-40	<b>77525-2531</b>
1200	5	5	0,2	1	EPSA 1034 1200/5 5 0,2-WA2X100X10 135-40	<b>77525-2541</b>
1200	5	5	0,5	1	EPSA 1034 1200/5 5 0,5-WA2X100X10 135-40	<b>77525-2542</b>
1200	5	5	0,5s	1	EPSA 1034 1200/5 5 0,5s-WA2X100X10 135-40	<b>77525-2546</b>
1200	5	10	0,2	1	EPSA 1034 1200/5 10 0,2-WA2X100X10 135-40	<b>77525-2561</b>
1200	5	10	0,5	1	EPSA 1034 1200/5 10 0,5-WA2X100X10 135-40	<b>77525-2562</b>
1200	5	10	0,5s	1	EPSA 1034 1200/5 10 0,5s-WA2X100X10 135-40	<b>77525-2566</b>
1200	5	15	0,5	1	EPSA 1034 1200/5 15 0,5-WA2X100X10 135-40	<b>77525-2572</b>
1200	5	15	0,5s	1	EPSA 1034 1200/5 15 0,5s-WA2X100X10 135-40	<b>77525-2576</b>
1250	5	2,5	0,2	1	EPSA 1034 1250/5 2,5 0,2s-WA2X100X10 135-40	<b>77525-2631</b>
1250	5	2,5	0,5s	1	EPSA 1034 1250/5 2,5 0,5s-WA2X100X10 135-40	<b>77525-2636</b>
1250	5	5	0,2	1	EPSA 1034 1250/5 5,0 0,2-WA2X100X10 135-40	<b>77525-2641</b>
1250	5	5	0,5	1	EPSA 1034 1250 5 0,5-WA 80x10 100-40	<b>77525-2642</b>
1250	5	5	0,5s	1	EPSA 1034 1250/5 5,0 0,5s-WA2X100X10 135-40	<b>77525-2646</b>
1250	5	10	0,2	1	EPSA 1034 1250/5 10 0,2-WA2X100X10 135-40	<b>77525-2661</b>
1250	5	10	0,5	1	EPSA 1034 1250/5 10 0,5-WA2X100X10 135-40	<b>77525-2662</b>
1250	5	10	0,5s	1	EPSA 1034 1250/5 10 0,5s-WA2X100X10 135-40	<b>77525-2666</b>
1250	5	15	0,5	1	EPSA 1034 1250/5 15 0,5-WA2X100X10 135-40	<b>77525-2672</b>
1250	5	15	0,5s	1	EPSA 1034 1250/5 15 0,5s-WA2X100X10 135-40	<b>77525-2676</b>
1500	5	5	0,2	1	EPSA 1034 1500/5 5 0,2-WA2X100X10 135-40	<b>77525-2741</b>
1500	5	5	0,5	1	EPSA 1034 1500/5 5 0,5-WA2X100X10 135-40	<b>77525-2742</b>
1500	5	5	0,5s	1	EPSA 1034 1500/5 5 0,5s-WA2X100X10 135-40	<b>77525-2746</b>
1500	5	10	0,2	1	EPSA 1034 1500/5 10 0,2-WA2X100X10 135-40	<b>77525-2761</b>
1500	5	10	0,5	1	EPSA 1034 1500/5 10 0,5-WA2X100X10 135-40	<b>77525-2762</b>
1500	5	10	0,5s	1	EPSA 1034 1500/5 10 0,5s-WA2X100X10 135-40	<b>77525-2766</b>
1500	5	15	0,5	1	EPSA 1034 1500/5 15 0,5-WA2X100X10 135-40	<b>77525-2772</b>
1500	5	15	0,5s	1	EPSA 1034 1500/5 15 0,5s-WA2X100X10 135-40	<b>77525-2776</b>
1500	5	30	0,5	1	EPSA 1034 1500/5 30 0,5-WA2X100X10 135-40	<b>77525-2782</b>
1500	5	30	0,5s	1	EPSA 1034 1500/5 30 0,5s-WA2X100X10 135-40	<b>77525-2786</b>
1600	5	5	0,2	1	EPSA 1034 1600/5 5 0,2-WA2X100X10 135-40	<b>77525-2841</b>
1600	5	5	0,5	1	EPSA 1034 1600/5 5 0,5-WA2X100X10 135-40	<b>77525-2842</b>
1600	5	5	0,5s	1	EPSA 1034 1600/5 5 0,5s WA2X100X10	<b>77525-2846</b>
1600	5	10	0,2	1	EPSA 1034 1600/5 10 0,2-WA2X100X10 135-40	<b>77525-2861</b>
1600	5	10	0,5	1	EPSA 1034 1600/5 10 0,5-WA2X100X10 135-40	<b>77525-2862</b>
1600	5	10	0,5s	1	EPSA 1034 1600/5 10 0,5s-WA2X100X10 135-40	<b>77525-2866</b>
1600	5	15	0,5	1	EPSA 1034 1600/5 15 0,5-WA2X100X10 135-40	<b>77525-2872</b>
1600	5	15	0,5s	1	EPSA 1034 1600/5 15 0,5s-WA2X100X10 135-40	<b>77525-2876</b>
1600	5	30	0,5	1	EPSA 1034 1600/5 30 0,5-WA2X100X10 135-40	<b>77525-2882</b>
1600	5	30	0,5s	1	EPSA 1034 1600/5 30 0,5s-WA2X100X10 135-40	<b>77525-2886</b>
2000	5	5	0,2	1	EPSA 1034 2000/5 5 0,2-WA2X100X10 135-40	<b>77525-2941</b>
2000	5	5	0,5	1	EPSA 1034 2000/5 5 0,5-WA2X100X10 135-40	<b>77525-2942</b>
2000	5	5	0,5s	1	EPSA 1034 2000/5 5 0,5s-WA2X100X10 135-40	<b>77525-2946</b>
2000	5	10	0,2	1	EPSA 1034 2000/5 10 0,2-WA2X100X10 135-40	<b>77525-2961</b>
2000	5	10	0,5	1	EPSA 1034 2000/5 10 0,5-WA2X100X10 135-40	<b>77525-2962</b>
2000	5	10	0,5s	1	EPSA 1034 2000/5 10 0,5s-WA2X100X10 135-40	<b>77525-2966</b>

## PTB-compliant current transformers for billing purposes

► Technical data, page 320



77525-3072

### EPSA 1034

#### Features:

- Window-type current transformer, PTB-compliant
- Primary busbar 20 x 100 x 10 mm (80 x 50), supplied with secondary terminal cover (SKLAD)

Primary current	Secondary current	VA	Accuracy class	PU	Product designation	Order no.
2000	5	15	0,2	1	EPSA 1034 2000/5 15 0,2-WA2X100X10 135-40	<b>77525-2971</b>
2000	5	15	0,5	1	EPSA 1034 2000/5 15 0,5-WA2X100X10 135-40	<b>77525-2972</b>
2000	5	15	0,5s	1	EPSA 1034 2000/5 15 0,5s-WA2X100X10 135-40	<b>77525-2976</b>
2000	5	30	0,5	1	EPSA 1034 2000/5 30 0,5-WA2X100X10 135-40	<b>77525-2982</b>
2000	5	30	0,5s	1	EPSA 1034 2000/5 30 0,5s-WA2X100X10 135-40	<b>77525-2986</b>
2400	5	5	0,2	1	EPSA 1034 2400/5 5 0,2-WA2X100X10 135-40	<b>77525-3041</b>
2400	5	5	0,5	1	EPSA 1034 2400/5 5 0,5-WA2X100X10 135-40	<b>77525-3042</b>
2400	5	5	0,5s	1	EPSA 1034 2400/5 5 0,5s-WA2X100X10 135-40	<b>77525-3046</b>
2400	5	10	0,2	1	EPSA 1034 2400/5 10 0,2-WA2X100X10 135-40	<b>77525-3061</b>
2400	5	10	0,5	1	EPSA 1034 2400/5 10 0,5-WA2X100X10 135-40	<b>77525-3062</b>
2400	5	10	0,5s	1	EPSA 1034 2400/5 10 0,5s-WA2X100X10 135-40	<b>77525-3066</b>
2400	5	15	0,2	1	EPSA 1034 2400/5 15 0,2-WA2X100X10 135-40	<b>77525-3071</b>
2400	5	15	0,5	1	EPSA 1034 2400/5 15 0,5-WA2X100X10 135-40	<b>77525-3072</b>
2400	5	15	0,5s	1	EPSA 1034 2400/5 15 0,5s-WA2X100X10 135-40	<b>77525-3076</b>
2400	5	30	0,5	1	EPSA 1034 2400/5 30 0,5-WA2X100X10 135-40	<b>77525-3082</b>
2400	5	30	0,5s	1	EPSA 1034 2400/5 30 0,5s-WA2X100X10 135-40	<b>77525-3086</b>
2500	5	5	0,2	1	EPSA 1034 2500/5 5 0,2-WA2X100X10 135-40	<b>77525-3141</b>
2500	5	5	0,5	1	EPSA 1034 2500/5 5 0,5-WA2X100X10 135-40	<b>77525-3142</b>
2500	5	5	0,5s	1	EPSA 1034 2500/5 5 0,5s-WA2X100X10 135-40	<b>77525-3146</b>
2500	5	10	0,2	1	EPSA 1034 2500/5 10 0,2-WA2X100X10 135-40	<b>77525-3161</b>
2500	5	10	0,5	1	EPSA 1034 2500/5 10 0,5-WA2X100X10 135-40	<b>77525-3162</b>
2500	5	10	0,5s	1	EPSA 1034 2500/5 10 0,5s-WA2X100X10 135-40	<b>77525-3166</b>
2500	5	15	0,2	1	EPSA 1034 2500/5 15 0,2-WA2X100X10 135-40	<b>77525-3171</b>
2500	5	15	0,5	1	EPSA 1034 2500/5 15 0,5-WA2X100X10 135-40	<b>77525-3172</b>
2500	5	15	0,5s	1	EPSA 1034 2500/5 15 0,5s-WA2X100X10 135-40	<b>77525-3176</b>
2500	5	30	0,5	1	EPSA 1034 2500/5 30 0,5-WA2X100X10 135-40	<b>77525-3182</b>
2500	5	30	0,5s	1	EPSA 1034 2500/5 30 0,5s-WA2X100X10 135-40	<b>77525-3186</b>
3000	5	30	0,5s	1	EPSA 1034 2500/5 30 0,5s-WA2X100X10 135-40	<b>77525-3286</b>

## Current transformer accessories

### Accessories

Designation	Variant	PU	Product designation	Order no.
PRIMARY CONDUCTOR 21 x 12.5 32 LONG	Cylindrical copper primary 1 conductor, diameter 21 mm, bore 12.5 mm, length 32 mm For transformer PSA 514 PSA 614 PSA 814 PSA 1034 PSA 1254 PSA 1274	1	PRIMÄRLEITER 21 X 12,5 32 LANG	<b>36551-0010</b>
PRIMARY CONDUCTOR 30 x 12.5 32 LONG	Cylindrical copper primary 1 conductor, diameter 30 mm, bore 12.5 mm, length 32 mm For transformer PSR	1	PRIMÄRLEITER 30 X 12,5 32 LANG	<b>36561-0010</b>
PRIMARY CONDUCTOR 21 x 8.5 32 LONG	Cylindrical copper primary conductor, diameter 21 mm, bore 8.5 mm, length 32 mm For transformer PSR 200.1 PSR 203	1	PRIMÄRLEITER 21 X 8,5 32 LANG	<b>36563-0010</b>
PRIMARY CONDUCTOR 22.5 x 12.5 32 LONG	Cylindrical copper primary conductor, diameter 22.5 mm, bore 12.5 mm, length 32 mm For transformer PSR 253	1	PRIMÄRLEITER 22,5 X 12,5 32 LANG	<b>36565-0010</b>
PRIMARY CONDUCTOR 21 x 12.5 52 LONG	Cylindrical copper primary conductor, diameter 21 mm, bore 12.5 mm, length 52 mm For transformer PSR 205	1	PRIMÄRLEITER 21 X 12,5 52 LANG	<b>36584-0010</b>
PRIMARY CONDUCTOR 21 x 8,5 52 LONG, BARE	Cylindrical copper primary conductor, diameter 21 mm, bore 8.5 mm, length 52 mm For transformer PSR 205	1	PRIMÄRLEITER 21 X 8,5 52 LANG BLANK	<b>36628-0010</b>
Secondary terminal cover SKLAD 213-413	For transformer PSA 213 PSA 313 PSA 413 PSR 253	1	SKLAD 213-413(SEKUNDÄR- KLEMMENABDECKUNG)	<b>36552-0010</b>
Secondary terminal cover SKLAD 215-415/ 317.1-517.1	PSR 253/30 For transformer PSA 215 PSA 315 PSA 417.1 PSA 517.1	1	SKLAD PSA 215-415/317.1-517.1 PSW55	<b>36553-0010</b>
Secondary terminal cover SKLAD 513/613/623/624	PSW 55 For transformer PSA 513 PSA 613 PSA 623 PSA 625	1	SKLAD 513/613/623/624	<b>36554-0010</b>
Secondary terminal cover SKLAD 113	PSA 633 For transformer PSA 113 PSR 203	1	SKLAD 113	<b>36562-0010</b>
Secondary termi- nal cover SKLAD PSA 514,614,634,814,1034,1254,1274	For transformer PSA 514 PSA 614 PSA 814 PSA 1034 PSA 1254 PSA 1274	1	SKLAD PSA 514,614,634,814,1034,1254,1274	<b>36614-0010</b>
SUPPORTING RAIL / TOP-HAT RAIL ATTACHMENT SBF 5-6/3	For transformer PSA 213 PSA 113 PSA 313 PSA 413 PSR 203 PSR 253	1	TRAG-/HUTSCHIENEN- BEFESTIGUNG SBF 5-6/3	<b>36555-0010</b>
Special NH solid link of size 2 to be used with PSA 113	PSR 253/30	1	TRENNMESSER GR.2 FÜR WANDLER	<b>36717-0010</b>

## Low-voltage current transformers

### Product range overview

	Primary conductor	Primary current	Classes
Window-type current transformers	20 mm x 10 mm – 4x 120 mm x 10 mm	40 A – 5000 A	1 / 0.5
Window-type current transformers	20 mm x 10 mm – 4x 120 mm x 10 mm	75 A – 3000 A	0.5 / 0.2 / 0.5S / 0.2S
Tube-type current transformer	Ø 21 mm – Ø 30 mm	50 A – 600 A	1 / 0.5
Tube-type current transformer	Ø 21 mm – Ø 30 mm	75 A – 600 A	0.5 / 0.5S
Wound-primary current transformers	–	5 A – 200 A	0.5 / 0.2 / 0.5S / 0.2S
Summation current transformers	2 – 10 circuits	2 x 5 A - 10 x 5 A	1 / 0.5
Summation current transformer	2 – 10 circuits	2 x 1 A - 10 x 1 A	0.2

### Overview of PSA window-type current transformers

Transformer type	PSA 213	PSA 215	PSA 113	PSA 115	PSA 313	PSA 315	PSA 413	PSA 415
Transformer dimensions height x width x depth	78 x 60 x 30	85 x 60 x 55	70 x 50 x 30	70 x 50 x 50	78 x 60 x 30	85 x 60 x 55	78 x 60 x 30	85 x 60 x 55
Primary busbar	20 x 10	20 x 10	30 x 10	30 x 10	30 x 10	30 x 10	40 x 12	40 x 12
Maximum primary round conductor dimensions	20	20	–	–	28	28	28	32

#### Secondary rated current 5 A or 1 A:

Accuracy classes	0,5	1	0,5	1	0,5	1	0,5	1	0,5	1	0,5	1	0,5	1	0,5	1
Min. primary current	75	50	100	40	150	60	100	50	100	100	75	75	200	150	600	150
Maximum primary current	300	300	150	150	600	600	600	600	600	600	400	400	800	800	300	800

Transformer type	PSA 513	PSA 613	PSA 633	PSA 814	PSA 1034	PSA 1254	PSA 1274
Transformer dimensions Height x width x depth	108 x 85 x 30	108 x 85 x 30	108,5 x 89,5 x 30	122 x 100 x 40	160 x 135 x 40	189 x 159,5 x 40	198 x 159,5 x 40
Primary busbar	50 x 12	60 x 10	60 x 30	80 x 10	3 x 100 x 10*	3 x 120 x 10*	4 x 120 x 10*
Maximum primary round conductor dimensions	45	45	–	60	85	98	–

#### Secondary rated current 5 A or 1 A:

Accuracy classes	0,5	1	0,5	1	0,5	1	0,5	1	0,5	1	0,5	1	0,5	1
Min. primary current	250	200	400	400	800	800	400	400	400	400	1000	800	1600	800
Maximum primary current	1250	1250	1600	1600	1600	1600	2000	2000	4000	4000	5000	5000	4000	4000

\* Busbars can be spaced at 10 mm.

### Overview of PSR tube-type current transformers

Transformer type	PSR 200	PSR 200.1	PSR 203	PSR 205	PSR 253	PSR 253/30
Transformer dimensions height x width x depth	65 x 44 x 30	65 x 44 x 30	70 x 50 x 30	70 x 50 x 50	78 x 60 x 30	78 x 60 x 30
Maximum primary round conductor dimensions	21	21	21	21	22,5	30

#### Secondary rated current 5 A or 1 A:

Accuracy classes	0,5	1	0,5	1	0,5	1	0,5	1	0,5	1	0,5	1
Min. primary current	100	50	100	50	80	75	50	50	75	50	125	100
Maximum primary current	300	300	300	300	300	300	300	300	600	600	1000	1000

## Low-voltage current transformers

Technical data acc. to VDE 0414 T 44-1 / IEC/EN 60044-1

Primary rated current $I_{1N}$	Window-type current transformer	40 A – 5000 A
	Wound-primary current transformer	5 A – 200 A
	Tube-type current transformer	50 A – 600 A
	Summation current transformer	1 A and 5 A, up to 10 circuits
Secondary rated current $I_{2N}$	1 A, 5 A	
Rated frequency	50 – 60 Hz (special variants 162/3 – 400 Hz available on request)	
Maximum voltage at equipment $U_m$	720 V (special variants up to 1200 V available on request)	
Rated power-frequency withstand current (impulse-withstand voltage)	3 kV (special variants up to 6 kV available on request)	
Overcurrent limiting factor (FS)	FS 5	
Thermal rated uninterrupted current	$1,2 * I_{1N}$	
Current rating	120 %	
Thermal rated short-time current	$I_{th} = 60 * I_{1N}$ max. 50 kA	
Rated dynamic current	$I_{dyn} = 2,5 * I_{th}$ max. 120 kA	
Permissible ambient temperature	-40 °C to + 40 °C	
Insulating material class acc. to IEC 60085	E (B and F on request)	
Degree of protection acc. to DIN/EN 60529/VDE 0470 T1	IP 20	
Tightening torque of secondary terminals	1.5 to 2 Nm	
Secondary terminal cross-section	1,5-6 mm <sup>2</sup>	

### Information on current transformer selection

Current transformers must primarily be selected according to the mechanical configuration and dimensions of the copper busbars.

**Permissible measurement range** Current transformers can be operated at up to 1.2-times the primary rated current, thereby complying with class accuracy. For a 630-A busbar system, a current transformer with a primary rated current of 600 A can be selected. This transformer complies with class accuracy for up to 720 A.

**Current transformer burden** The accuracy of current transformer measurements is ensured if the transformer is operated between the full rated output (burden), e.g. 10 VA, and 1/4 of the burden. At half of the burden, transformers with a rated output of 2.5 VA or less still comply with class accuracy.

**Earthing of secondary circuit** Earthing of the secondary circuit of EFEN low-voltage current transformers is not necessary as these transformers have no large exposed metal housing parts.

**Power demand** The output required from a transformer depends on the lines and measurement equipment connected to it. Current measuring instruments can be connected in series, thereby increasing the power demand.

Due to Ohm's law, 1-A current transformers require considerably less power than 5-A transformers. Consequently, transformers with a secondary current of 1 A should be selected if connection lines are longer than 10 m.

## PTB-compliant current transformers for billing purposes complying with German law

### Manufacturer's declaration

#### Device:

Low-voltage current transformer EPSA with design certification and assessment of conformity



Module D



Module F

### Approval:

According to the "Act on the Re-organisation of Statutory Metrology" entered into force on 25 April 2013 and the ensuing regulation establishing new rules for statutory metrology and for harmonising it with European legislation entered into force on 11 December 2014, the initial calibration of summary current transformers in its current form e.g. by a state-approved testing bodies is abolished. Compliance of summary current transformers with applicable statutory regulations as well as technical standards and requirements is ensured either by certified production and final inspection (module D) or by an external testing body (module F). A compliance check according to module F must be commissioned directly by the manufacturer.

Retroactive calibration of suitable transformers is not provided for by law. Consequently, the terms "suitable for calibration" or "suitable for certification" may no longer be used.

As of 2015, EFEN therefore offers PTB-compliant low-voltage current transformers according to module D or F.

## Low-voltage current transformers

### Power demand of a double-strand line in VA for secondary currents of 1 A

Conductor cross-section	Power demand in VA depending on cable length									
	10 m	20 m	30 m	40 m	50 m	60 m	70 m	80 m	90 m	100 m
1 mm <sup>2</sup>	0,36	0,71	1,07	1,43	1,79	2,14	2,50	2,86	3,21	3,57
1,5 mm <sup>2</sup>	0,24	0,48	0,71	0,95	1,19	1,43	1,67	1,90	2,14	2,38
2,5 mm <sup>2</sup>	0,14	0,29	0,43	0,57	0,71	0,86	1,00	1,14	1,29	1,43
4 mm <sup>2</sup>	0,09	0,18	0,27	0,36	0,45	0,54	0,63	0,71	0,80	0,89
6 mm <sup>2</sup>	0,06	0,12	0,18	0,24	0,30	0,36	0,42	0,48	0,54	0,60
10 mm <sup>2</sup>	0,04	0,07	0,11	0,14	0,18	0,21	0,25	0,29	0,32	0,36

### Power demand of a double-strand line in VA for secondary currents of 5 A

Conductor cross-section	Power demand in VA depending on cable length									
	1 m	2 m	4 m	6 m	8 m	10 m	15 m	20 m	30 m	40 m
1,5 mm <sup>2</sup>	0,60	1,19	2,38	3,57	4,76	5,95	8,93	11,90	17,86	23,81
2,5 mm <sup>2</sup>	0,36	0,71	1,43	2,14	2,86	3,57	5,36	7,14	10,71	14,29
4 mm <sup>2</sup>	0,22	0,45	0,89	1,34	1,79	2,23	3,35	4,46	6,70	8,93
6 mm <sup>2</sup>	0,15	0,30	0,60	0,89	1,19	1,49	2,23	2,98	4,46	5,95
10 mm <sup>2</sup>	0,09	0,18	0,36	0,54	0,71	0,89	1,34	1,79	2,68	3,57

Generally, the power demand of the measurement device and measuring line should be less than the total rated output (rated burden) and more than ¼ of the rated output of the current transformer. This ensures accurate measurements within the specified accuracy range.

$S_{CT} > 2,5 \text{ VA}$	$S_{CT} > S_{Cable} + S_{Meter} > \frac{1}{4} S_{CT}$
$S_{CT} \leq 2,5 \text{ VA}$	$S_{CT} > S_{Cable} + S_{Meter} > \frac{1}{2} S_{CT}$

$S_{CT}$	Rated output of the transformer (rated burden)
$S_{Cable}$	Power demand of the line
$S_{Meter}$	Power demand of the measurement device

### EFEN low-voltage current transformers

#### Product features

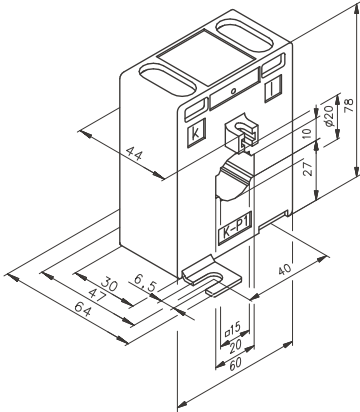
- Robust and cost-effective design
- High-quality, flame-resistant plastics made of glass-fibre reinforced polycarbonate
- Excellent technical data
- Applications for various busbar sizes
- Easy installation on the busbar
- Accuracy classes acc. to VDE 0414 T 44-1 / IEC/EN 60044-1 and IEC 185 (1987)
- Fasteners for busbar and baseplate mounting

# Low-voltage current transformers

## PSA 213 – 315

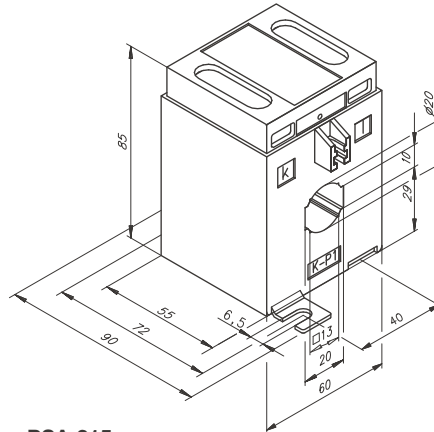
### Window-type current transformers

Primary currents from 50 to 300 A, for busbars of 20 x 10 mm and base-plates, according to VDE 0414 T44-1 / IEC/EN 60044-1



#### PSA 213

Primary busbar 20 x 10 mm, 15 x 15 mm  
Max. round cable Ø 20 mm

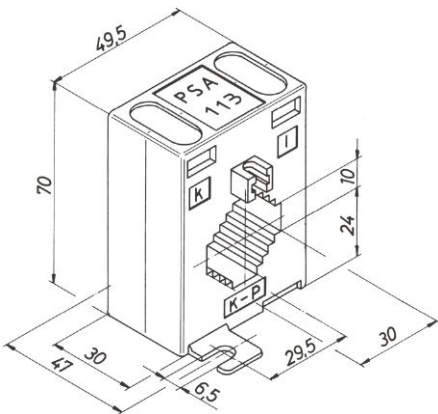


#### PSA 215

Primary busbar 20 x 10 mm, 15 x 15 mm  
Max. round cable Ø 20 mm

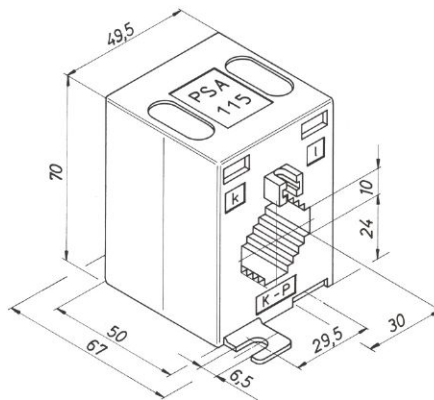
### Window-type current transformers

Primary currents from 50 to 600 A, for busbars of 30 x 10 mm and base-plates, according to VDE 0414 T44-1 / IEC/EN 60044-1



#### PSA 113

Primary busbar 30 x 10 mm, 25 x 15 mm, 20 x 20 mm

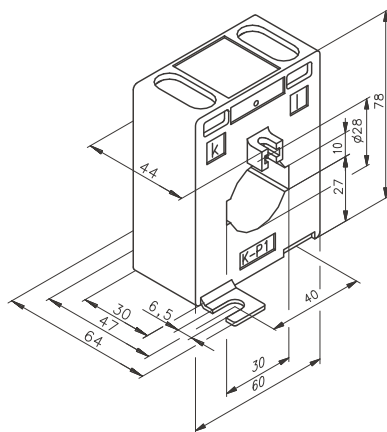


#### PSA 115

Primary busbar 30 x 10 mm, 25 x 15 mm, 20 x 20 mm

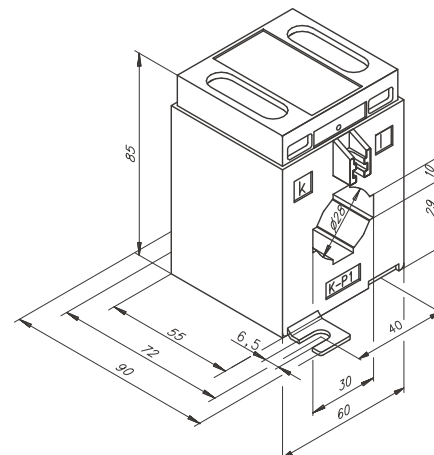
### Window-type current transformers

Primary currents from 75 to 600 A, for busbars 30 x 10 mm and base-plates, according to VDE 0414 T44-1 / IEC/EN 60044-1



#### PSA 313

Primary busbar 30 x 10 mm  
Max. round cable Ø 28 mm



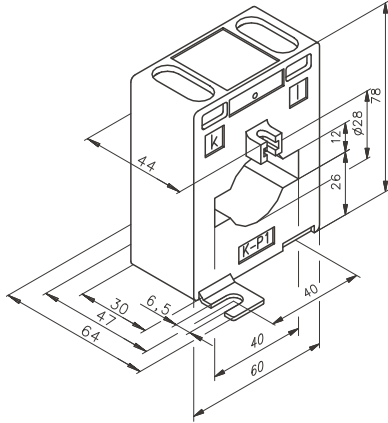
#### PSA 315

Primary busbar 30 x 10 mm  
Max. round cable Ø 28 mm

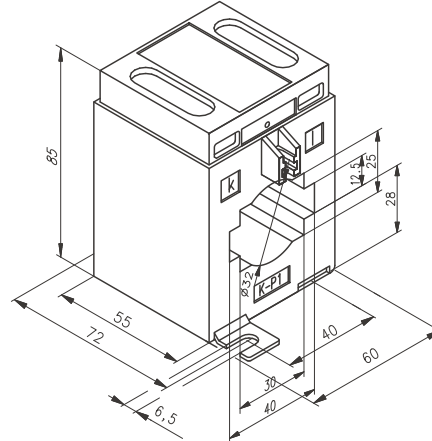
## Low-voltage current transformers PSA 413 – 633

### Window-type current transformers

Primary currents from 150 to 800 A, for busbars 40 x 12 mm and base-plates, according to VDE 0414 T44-1 / IEC/EN 60044-1



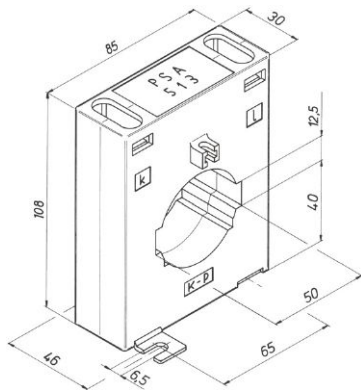
**PSA 413**  
Primary busbar 40 x 12 mm  
Max. round cable Ø 28 mm



**PSA 415**  
Primary busbar 40 x 12 mm, 30 x 25 mm  
Max. round cable Ø 32 mm

### Window-type current transformers

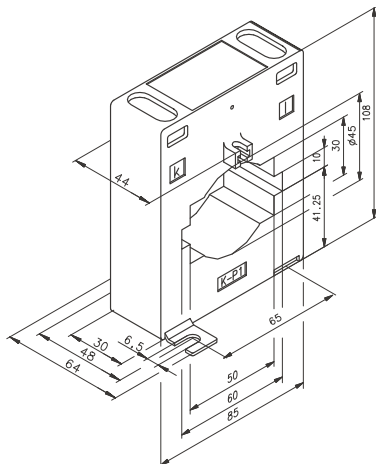
Primary currents from 200 to 1250 A, for busbars 50 x 12 mm and base-plates, according to VDE 0414 T44-1 / IEC/EN 60044-1



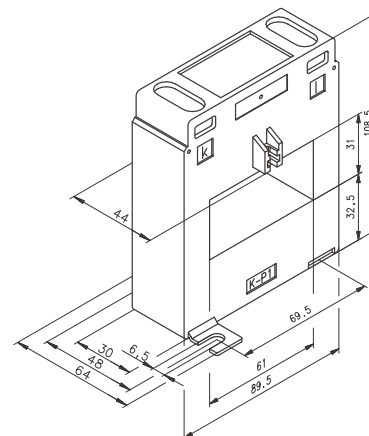
**PSA 513**  
Primary busbar 50 x 12 mm, 40 x 23 mm  
Max. round cable Ø 45 mm

### Window-type current transformers

Primary currents from 400 to 1600 A, for busbars 60 x 10 (-30) mm and base-plates, according to VDE 0414 T44-1 / IEC/EN 60044-1



**PSA 613**  
Primary busbar 60 x 10 mm; 50 x 30 mm  
Max. round cable Ø 45 mm



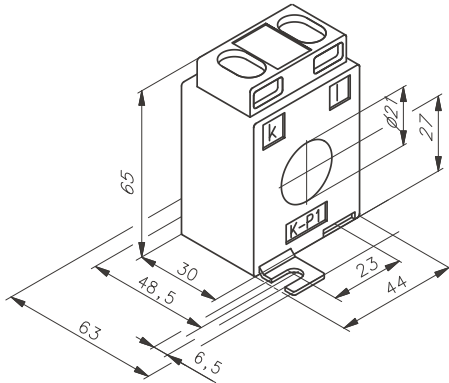
**PSA 633**  
Primary busbar 60 x 30 mm



## Low-voltage current transformers Tube-type current transformers PSR 200 – PSR 253/30

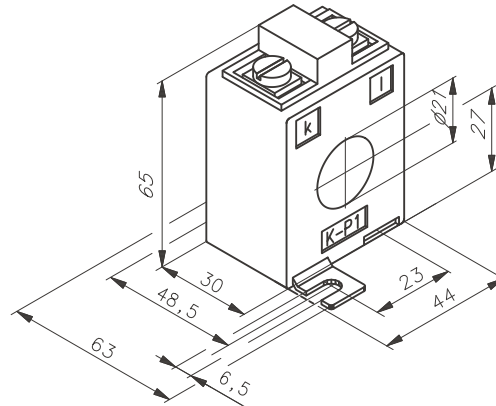
### Tube-type current transformers

Primary currents from 50 to 300 A; acc. to VDE 0414 T44-1 / IEC/EN 60044-1



#### PSR 200

Max. round cable  $\varnothing$  21 mm  
 $I_{1N} = 50 \text{ A} - 300 \text{ A}$

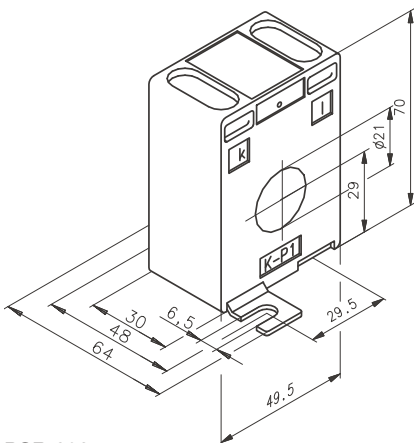


#### PSR 200.1

Max. round cable  $\varnothing$  21 mm  
 $I_{1N} = 50 \text{ A} - 300 \text{ A}$

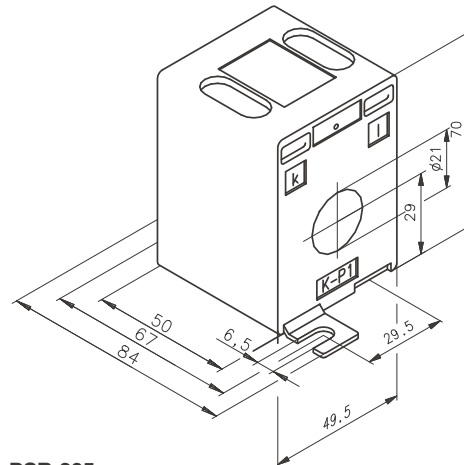
### Tube-type current transformers

Primary currents from 50 to 300 A, acc. to VDE 0414 T44-1 / IEC/EN 60044-1



#### PSR 203

Max. round cable  $\varnothing$  21 mm  
 $I_{1N} = 75 \text{ A} - 300 \text{ A}$

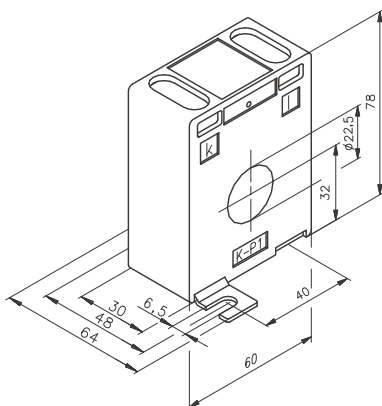


#### PSR 205

Max. round cable  $\varnothing$  21 mm  
 $I_{1N} = 50 \text{ A} - 300 \text{ A}$

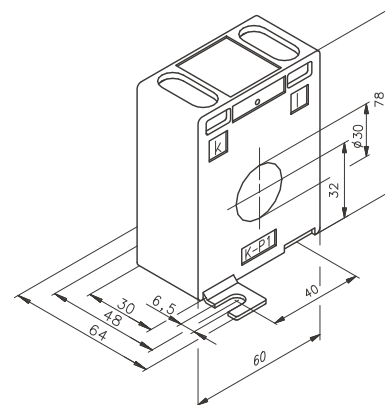
### Tube-type current transformers

Primary currents from 50 to 600 A, acc. to VDE 0414 T44-1 / IEC/EN 60044-1



#### PSR 253

Max. round cable  $\varnothing$  22.5 mm  
 $I_{1N} = 50 \text{ A} - 600 \text{ A}$



#### PSR 253/30

Max. round cable  $\varnothing$  30 mm  
 $I_{1N} = 125 \text{ A} - 600 \text{ A}$

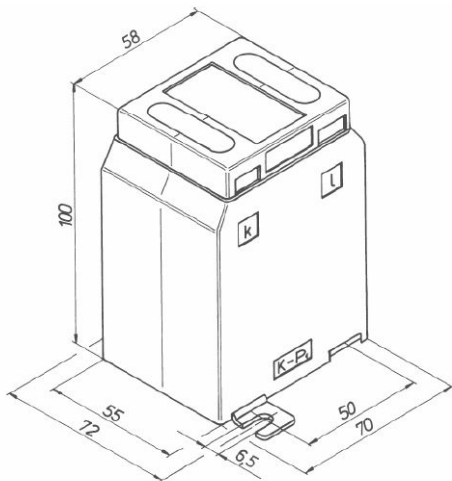
## Low-voltage current transformers

### Wound-primary current transformers PSW 55, PSW 70

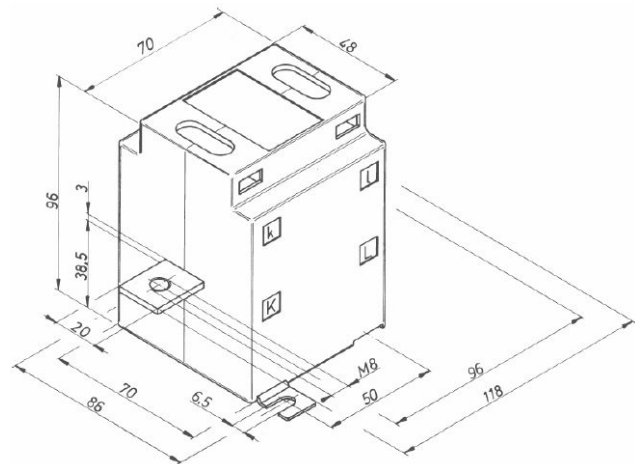
#### Wound-primary current transformers

5 to 200 A, acc. to VDE 0414 T44-1 / IEC/EN 60044-1

At low current transformer ratios, window-type current transformers can only achieve lower power outputs and accuracy classes. Therefore, the use of wound-primary current transformers is recommended if higher power outputs and accuracy classes are required. In wound-primary current transformers, the primary conductor is wound several times on the magnetic core of the current transformer.



**PSW 55**  
 $I_{1N} = 5 \text{ A} - 40 \text{ A}$



**PSW 70**  
 $I_{1N} = 50 \text{ A} - 200 \text{ A}$

## Low-voltage current transformers

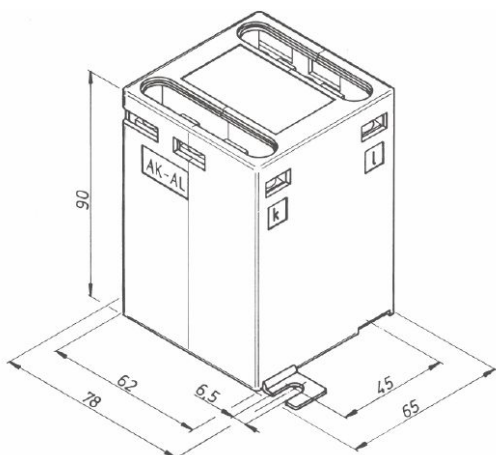
### Summation current transformers PSS 2, PGSU

#### Summation current transformers

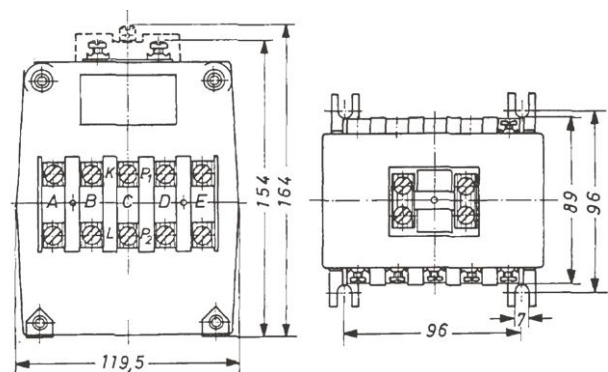
2 – 10 circuits, acc. to VDE 0414 T44-1 / IEC/EN 60044-1

Summation current transformers are used if several window-type current transformers shall be combined into one measurement unit. Here, it must be ensured that window-type current transformers of the same phase are combined with the summation current transformer.

EFEN summation current transformers allow up to 10 power feeders with different window-type current transformers to be combined into one current measurement unit.



**PSS 2**  
 $I_{1N} = 1 \text{ A} + 1 \text{ A} / 5 \text{ A} + 5 \text{ A}$   
 $2 \times 5 \text{ A} / 2 \times 1 \text{ A}$

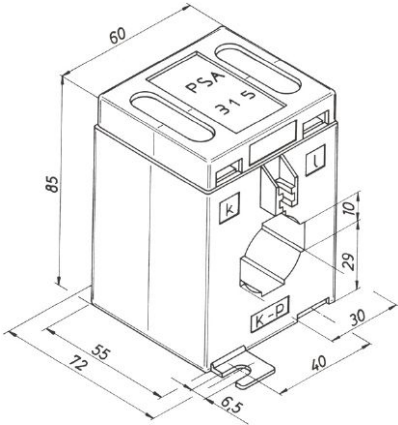


**PGSU**  
 $I_{1N} = 3 \times 5 \text{ A} - 10 \times 5 \text{ A}$

## PTB-compliant current transformers for billing purposes EPSA 315 – EPSA 417.2

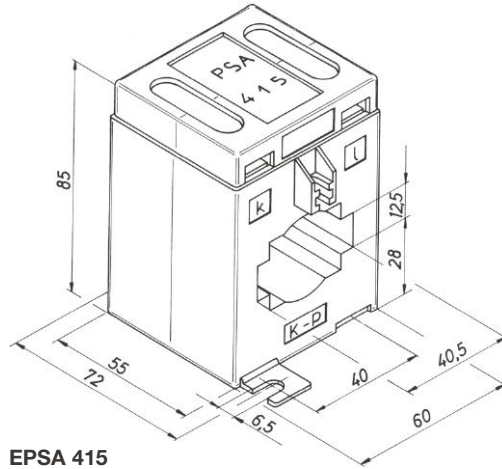
### Current transformers for billing purposes

For busbars 30 x 10 / 40 x 10 mm and base-plates, acc. to VDE 0414 T44-1 / IEC/EN 60044-1



#### EPSA 315

Primary busbar 30 x 10 mm  
Max. round cable Ø 28 mm

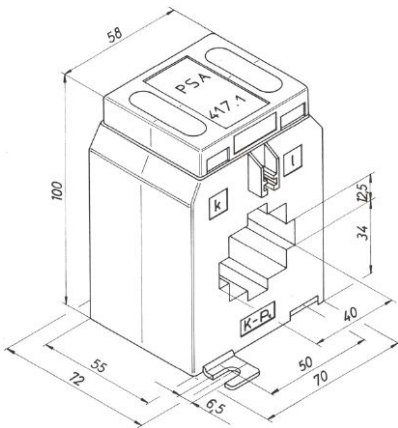


#### EPSA 415

Primary busbar 40 x 12 mm, 30 x 25 mm  
Max. round cable Ø 32 mm

### Current transformers for billing purposes

Busbar 40 x 12 mm, acc. to VDE 0414 T44-1 / IEC/EN 60044-1

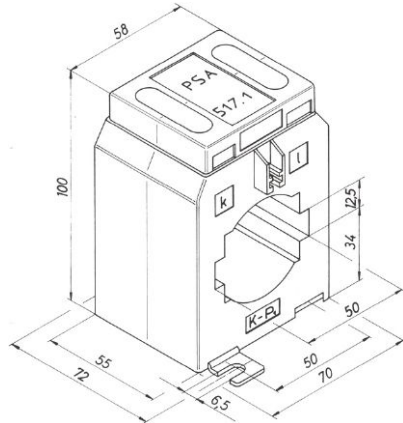


#### EPSA 417.1

Primary busbar 40 x 12 mm, 30 x 30 mm

### Current transformers for billing purposes

Busbar 50 x 12 mm, acc. to VDE 0414 T44-1 / IEC/EN 60044-1



#### EPSA 517.1

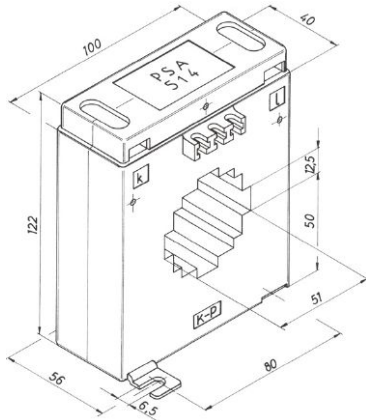
Primary busbar 50 x 12 mm, 40 x 30 mm  
Max. round cable Ø 43 mm

# PTB-compliant current transformers for billing purposes

## EPSA 517.1 – EPSA 1034

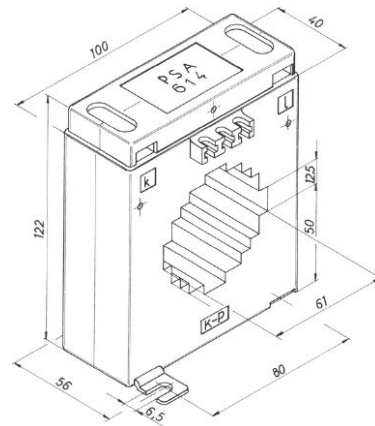
### Current transformers for billing purposes

Busbars 50 x 12 / 60 x 10 mm, acc. to VDE 0414 T44-1 / IEC 60044-1



#### EPSA 514

Primary busbar 50 x 12 mm, 40 x 30 mm  
Max. round cable Ø 46 mm

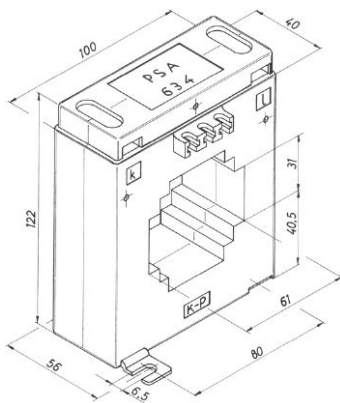


#### EPSA 614

Primary busbar 60 x 12 mm, 50 x 30 mm, 40 x 40 mm

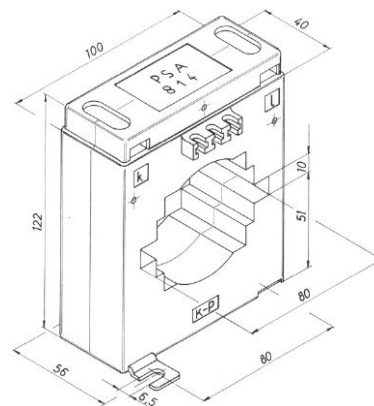
### Current transformers for billing purposes

Busbar 60 x 30 / 80 x 10 mm, acc. to VDE 0414 T44-1/IEC/EN 60044-1



#### EPSA 634

Primary busbar 60 x 30 mm,  
50 x 40 mm

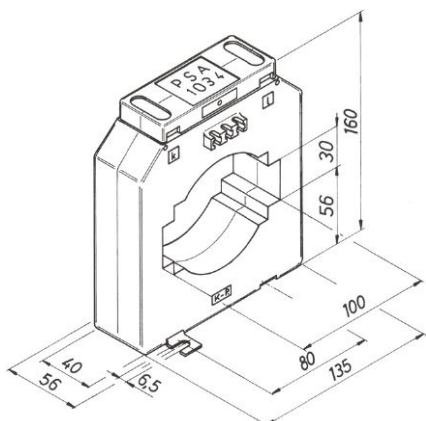


#### EPSA 814

Primary busbar 80 x 10 mm, 60 x 30 mm,  
50 x 50 mm  
Max. round cable Ø 60 mm

### Current transformers for billing purposes

Busbar 2 x 100 x 10 mm, acc. to VDE 0414 T44-1 / IEC/EN 60044-1



#### EPSA 1034

Primary busbar 2 x 100 x 10 mm, 80 x 50 mm  
Max. round cable Ø 85 mm

## Current transformers for NH Fuse-Switches

► Technical data, page 332



77283-6313

### E<sup>3</sup> low-voltage current-transformer block for E<sup>3</sup> NH Fuse-Switches, vertical design, size 00/100

**Features:**

Current transformer block, class 1; 0.5 retrofitable, terminal 2.5 mm<sup>2</sup>  
One-phase or three-phase measurement (one-phase measurement on L1)

Designation	Size	PU	Product designation	Order no.
100/1, class 1, 1,25 VA, 3-phase measurement	00/100	1	E <sup>3</sup> WB00/100 3X100/1A 1,25VA KL.1	<b>77283-6313</b>
150/1, class 0.5, 2 VA, 3-phase measurement	00/100	1	E <sup>3</sup> WB00/100 3X150/1A 2VA KL.0,5	<b>77283-6522</b>
150/1, class 1, 2,5 VA, 3-phase measurement	00/100	1	E <sup>3</sup> WB00/100 3X150/1A 2,5VA KL.1	<b>77283-6533</b>
150/5, class 1, 1,5 VA, 1-phase measurement	00/100	1	Wandlerblock 00/100 150/5 1ph. 1,5VA KL1	<b>77284-1533</b>
100/1, class 1, 1,25 VA, 1-phase measurement	00/100	1	E <sup>3</sup> WB00/100 100/1A 1,25VA KL.1	<b>77284-6313</b>
150/1, class 1, 1,25 VA, 1-phase measurement	00/100	1	E <sup>3</sup> WB00/100 150/1A 2,5VA KL.1	<b>77284-6533</b>



77150-1836

### E<sup>3</sup> low-voltage current-transformer for E<sup>3</sup> NH Fuse-Switches, vertical design, size 1 – 3

**Features:**

Single current transformer class 1; 0.5s, box terminal 6 mm<sup>2</sup>

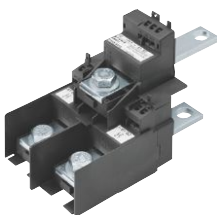
Designation	Size	PU	Product designation	Order no.
150/5 A, 2,5 VA, Kl. 1	1-3	1	E <sup>3</sup> -W1-3 150/5A 2,5VA KL.1	<b>77150-1533</b>
250/5 A, 5 VA, Kl. 1	1-3	1	E <sup>3</sup> -W1-3 250/5A 5VA KL.1	<b>77150-1743</b>
300/5 A, 2,5 VA, Kl. 0,5s	1-3	1	E <sup>3</sup> -W1-3 300/5A 2,5VA KL.0,5S	<b>77150-1836</b>
400/5 A, 2,5 VA, Kl. 0,5s 1-3	1-3	1	E <sup>3</sup> -W1-3 400/5A 2,5VA KL.0,5S	<b>77150-1936</b>
400/5 A, 5 VA, Kl. 1	1-3	1	E <sup>3</sup> -W1-3 400/5A 5VA KL.1	<b>77150-1943</b>
600/5 A, 2,5 VA, Kl. 0,2s 1-3	1-3	1	E <sup>3</sup> -W1-3 600/5A 2,5VA KL.0,2S	<b>77150-2135</b>
600/5 A, 5 VA, Kl. 1	1-3	1	E <sup>3</sup> -W1-3 600/5A 5VA KL.1	<b>77150-2143</b>
600/5 A, 5 VA, Kl. 0,5s	1-3	1	E <sup>3</sup> -W1-3 600/5A 5VA KL.0,5S	<b>77150-2146</b>
800/5 A, 5 VA, Kl. 1	1-3	1	E <sup>3</sup> -W1-3 800/5A 5VA KL.1	<b>77150-2343</b>
150/1 A, 2,5 VA, Kl. 1	1-3	1	E <sup>3</sup> -W1-3 150/1A 2,5VA KL.1	<b>77150-6533</b>
250/1 A, 2,5 VA, Kl. 0,5	1-3	1	E <sup>3</sup> -W1-3 250/1A 2,5VA KL.0,5	<b>77150-6732</b>
250/1, 5 VA, Kl. 1	1-3	1	E <sup>3</sup> -W1-3 250/1A 5VA KL.1	<b>77150-6743</b>
400/1, 5 VA, Kl. 0,5	1-3	1	E <sup>3</sup> -W1-3 400/1A 5VA KL.0,5	<b>77150-6942</b>
400/1 A, 5 VA, Kl. 1	1-3	1	E <sup>3</sup> -W1-3 400/1A 5VA KL.1	<b>77150-6943</b>
600/1 A, 5 VA, Kl. 0,5	1-3	1	E <sup>3</sup> -W1-3 600/1A 5VA KL.0,5	<b>77150-7142</b>
600/1 A, 5 VA, Kl. 1	1-3	1	E <sup>3</sup> -W1-3 600/1A 5VA KL.1	<b>77150-7143</b>



77550-1836

### E<sup>3</sup> low-voltage current-transformer for E<sup>3</sup> NH Fuse-Switches, vertical design, size 1 – 3, PTB-compliant

Designation	Size	PU	Product designation	Order no.
250/5A 2,5VA Kl.0,5	1-3	1	E <sup>3</sup> W1-3 250/5A 2,5VA Kl.0,5	<b>77550-1732</b>
300/5A 2,5VA KL.0,5s	1-3	1	E <sup>3</sup> W1-3 300/5A 2,5VA KL.0,5s	<b>77550-1836</b>
400/5A 5VA KL.0,5S	1-3	1	E <sup>3</sup> W1-3 400/5A 5VA KL.0,5S	<b>77550-1946</b>
600/5A 5VA KL.0,5S	1-3	1	E <sup>3</sup> W1-3 600/5A 5VA KL.0,5S	<b>77550-2146</b>
800/5A 5VA KL.0,5S	1-3	1	E <sup>3</sup> W1-3 800/5A 5VA KL.0,5S	<b>77550-2346</b>



77287-1846

### E<sup>3</sup> low-voltage current-transformer for E<sup>3</sup> NH Fuse-Switches, vertical design, size 1 – 3, for connection in cable branch-off line

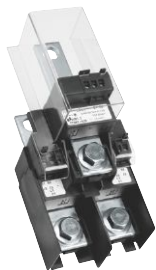
**Features:**

- For multiple-use terminal (screw terminal M12)
- Connection for voltage tapping

Designation	Size	PU	Product designation	Order no.
200/5 2,5 KL 0,5S	1-3	1	E <sup>3</sup> WB1-3 200/5 2,5 KL 0,5S	<b>77287-1636</b>
300/5 5,0 KL 0,5S	1-3	1	E <sup>3</sup> WB1-3 300/5 5,0 KL 0,5S	<b>77287-1846</b>
400/5 5,0 KL 0,5S	1-3	1	E <sup>3</sup> WB1-3 400/5 5,0 KL 0,5S	<b>77287-1946</b>
600/5 5,0 KL 0,5S	1-3	1	E <sup>3</sup> WB1-3 600/5 5,0 KL 0,5S	<b>77287-2146</b>

## Current transformers for NH Fuse-Switches

► Technical data, page 332



77587-1946

**E<sup>3</sup> current transformer block for E<sup>3</sup> NH Fuse-Switches, vertical design, size 1 – 3, for connection at cable outlet, PBT-compliant variant for billing purposes**

**Features:**

- For multiple-use terminal (screw terminal M12)
- Connection for voltage tapping

Designation	Size	PU	Product designation	Order no.
200/5 2,5 KL 0,5S	1-3	1	E <sup>3</sup> WB1-3 200/5 2,5 KL 0,5S	<b>77587-1636</b>
300/5 5,0 KL 0,5S	1-3	1	E <sup>3</sup> WB1-3 300/5 5,0 KL 0,5S	<b>77587-1846</b>
400/5 5,0 KL 0,5S	1-3	1	E <sup>3</sup> WB1-3 400/5 5,0 KL 0,5S	<b>77587-1946</b>
600/5 5,0 KL 0,5S	1-3	1	E <sup>3</sup> WB1-3 600/5 5,0 KL 0,5S	<b>77587-2146</b>

## Accessories for current transformers for NH Fuse-Switches

### Terminal cover for low-voltage current transformer block for size 1 – 3

Designation	PU	Product designation	Order no.
Terminal cover for low-voltage current transformer block	1	KLEMMENABDECKUNG F. WANDLER-BLOCK 3PHASIG	<b>36892-0010</b>



36431-0010

### E<sup>3</sup>-wiring kit for voltage cut-out for size 1 – 3

**Features:**

- Ready for connection to E<sup>3</sup> NH fuse-switch, vertical design
- Connects to input or output
- Includes Cable holder and terminal bolts

Designation	PU	Product designation	Order no.
Wiring kit for voltage cut-out	1	Verdrahtungskit f. Spannungsabnahme	<b>36431-0010</b>



36430-0010

### E<sup>3</sup>-wiring kit for current transformers for size 1 – 3

**Features:**

- Secondary lines 2.5 mm<sup>2</sup>, black, no. 1-6
- Fits plug-in connections, isolation terminals or metering devices
- For top or bottom connection
- Impulse-withstand voltage 3 kV
- Includes cable holder

Designation	PU	Product designation	Order no.
1-phase wiring kit for current transformer, secondary lines 2.5 mm <sup>2</sup> , black no. 1-6, impulse-withstand voltage 3 kV	1	Verdrahtungskit f. 1 Stromwandler	<b>36429-0010</b>
3-phase wiring kit for current transformer, secondary lines 2.5 mm <sup>2</sup> , black no. 1-6, impulse-withstand voltage 3 kV	1	E <sup>3</sup> Verdrahtungskit f. 3 Stromwandler	<b>36430-0010</b>



36382-0010

### E<sup>3</sup>-cable holder, click-on, for size 1 – 3

**Features:**

- Clip-on holder for neat cable routing
- For voltage tapping or for secondary lines

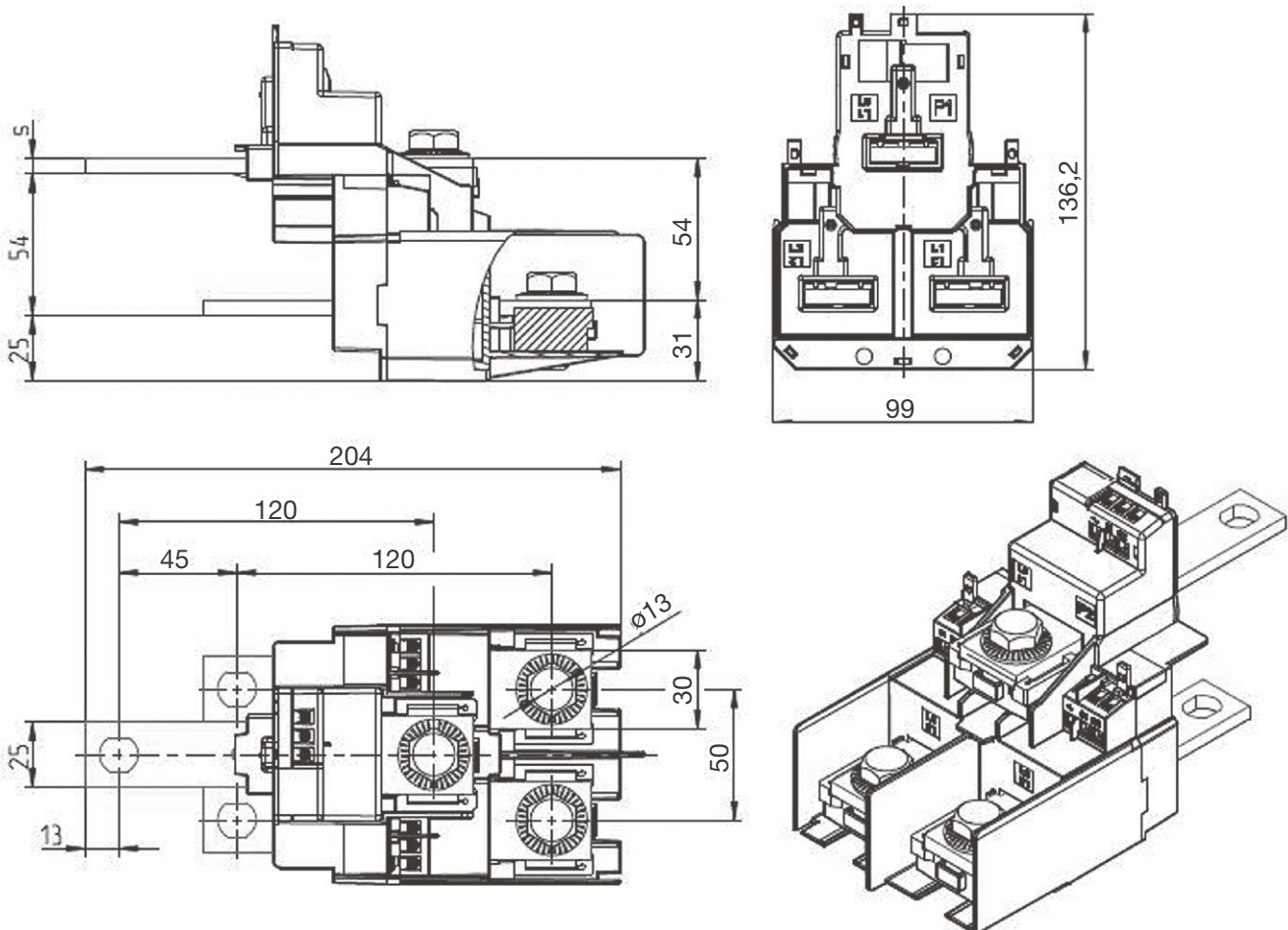
Designation	PU	Product designation	Order no.
Cable holder, click-on, backside mounting	1	Kabelhalter E <sup>3</sup> Gr.1-3	<b>36382-0010</b>

## EFEN<sup>3</sup>-current transformer block, size 1 – 3 for terminal space, standard or PTB-compliant variant

### Technical data

Order no. standard	77287-1636	77287-1736	77287-1846	77287-1946	77287-2146
Order no. for billing purposes	77587-1636	77587-1736	77587-1846	77587-1946	77587-2146
Primary rated current	200 A	250 A	300 A	400 A	600 A
Secondary rated current	2,5 A	2,5 A	5 A	5 A	5 A
Rated power	5 VA	5 VA	5 VA	5 VA	5 VA
Class	KL.0,5 s	KL.0,5 s	KL.0,5 s	KL.0,5 s	KL.0,5 s
Frequency	50-60 Hz	50-60 Hz	50-60 Hz	50-60 Hz	50-60 Hz
Insulation level	0,72/3 kV	0,7/3 kV	0,7/3 kV	0,72/3 kV	0,7/3 kV
Overcurrent limiting factor	FS5	FS5	FS5	FS5	FS5
Insulating material class	E	E	E	E	F
Thermal rated short-term current	60* I <sub>n</sub> max. 50 kA				
Thermal rated uninterrupted current	1,2* I <sub>n</sub>	1,2* I <sub>n</sub>	1,2* I <sub>n</sub>	1,2* I <sub>n</sub>	1,2* I <sub>n</sub>
Extended current range	120 %	120 %	120 %	120 %	120 %
Ambient temperature	-5° ... +40°C	-5° ... +40°C	-5° ... +40°C	-5° ... +40°C	-5° ... +40°C
Standards	VDE0414T 44-1, IEC60044-1				
Torque f. secondary terminals	1.5 to 2 Nm				

### Current transformer block for NH Fuse-Switches

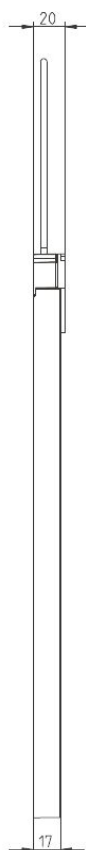
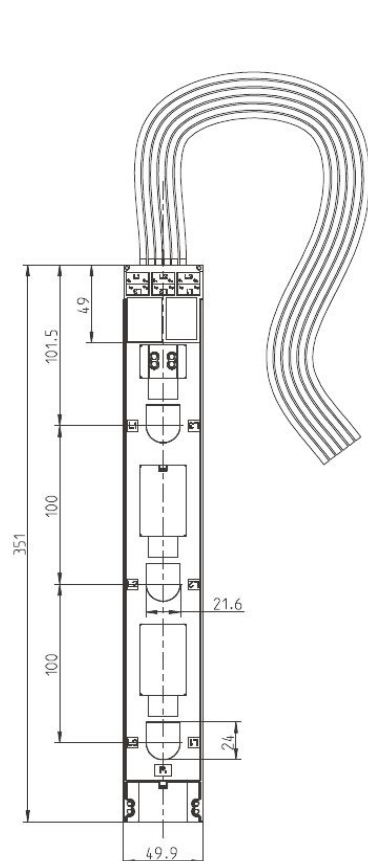


# E<sup>3</sup>-Current transformer block size 00/100 1-phase or 3-phase metering (1-phase at L1)

## Technical data

Article designation	Ratio	VA output	Class	Order no.
E <sup>3</sup> WB00/100 3X100/1 1,25 VA KL.1	3 x 100/1	1,25	1	77283-6313
E <sup>3</sup> WB00/100 3X150/1 2,5 VA KL.1	3 x 150/1	2,5	1	77283-6533
E <sup>3</sup> WB00/100 3X150/1 2,0 VA KL.0,5	3 x 150/1	2,0	0,5	77283-6522
E <sup>3</sup> WB00/100 1X100/1 1,25 VA KL.1	1 x 100/1	1,25	1	77284-6313
E <sup>3</sup> WB00/100 1X150/1 1,25 VA KL. 1	1 x 150/1	1,25	1	77284-6533
E <sup>3</sup> WB00/100 3X150/5 1,5 VA KL.1	3 x 150/5	1,5	1	77283-1523
E <sup>3</sup> WB00/100 1X150/5 1,5VA KL.1	1 x 150/5	1,5	1	77284-1523

Description	Unit	Value
<b>Electrical parameters</b>		
Technical data acc. to VDE 0414 T44-1/ IEC/EN 60044-1		
Primary rated current I1N	A	See transformer
S IN2	A	See transformer
Rated frequency	Hz	50
Rated isolation level	kV	0,72 / 3,00
Thermal rated uninterrupted current	A	1,2 x I <sub>n</sub>
Thermal rated short-time current I <sub>th</sub>		60 x I <sub>n</sub> ; max. 50 kA
Permissible ambient temperature	°C	- 40 to + 40 °C
Extended current range		120%
Insulation class acc. to IEC 60085 E	3 x 100/1	E <sup>3</sup> Zub.
Conductor connection	3 x 100/1	E <sup>3</sup> Zub.
Connection of secondary terminal	mm <sup>2</sup>	2,5 - 4
Torque of secondary terminal	Nm	0,8



Connection of assembled end pieces for ratio to 5 Amps Cable length 2 m.

Converter terminals top / cable terminal bottom:

L1 / S1 = black  
S2 = brown  
L2 / S1 = gray  
S2 = white  
L3 / S1 = blue  
S2 = red

Converter terminals bottom / cable terminal top:

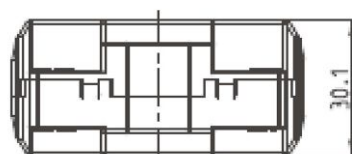
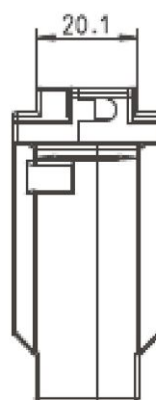
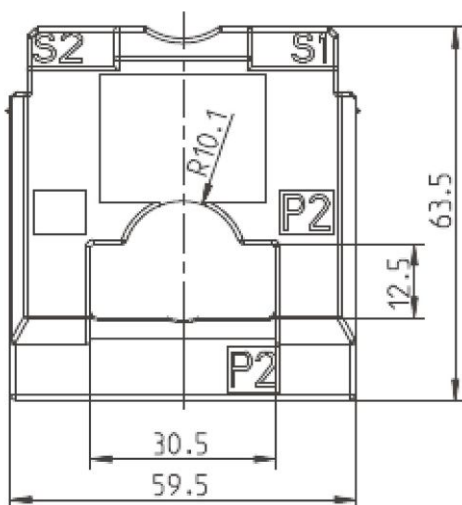
L1 / S1 = blue  
S2 = red  
L2 / S1 = gray  
S2 = white  
L3 / S1 = black  
S2 = brown

## E<sup>3</sup>-Drop-in transformers of size 1 – 3, PTB-compliant variant for billing purposes for E<sup>3</sup> NH Fuse-Switches, vertical design, size 1 – 3

### Technical data

Article designation	Ratio	VA output	Class	Order no.
E_E <sup>3</sup> W1-3 250/5A 2,5VA Kl.0,5	250/5	2,5	0,5	77550-1732
E_E <sup>3</sup> W1-3 300/5A 2,5VA Kl.0,5s	300/5	2,5	0,5s	77550-1836
E_E <sup>3</sup> W1-3 400/5A 5VA Kl.0,5s	400/5	5	0,5s	77550-1946
E_E <sup>3</sup> W1-3 600/5A 5VA Kl.0,5s	600/5	5	0,5s	77550-2146
E_E <sup>3</sup> W1-3 800/5A 5VA Kl.0,5s	800/5	5	0,5s	77550-2346
Cable holder E <sup>3</sup> size 1 – 3				36382-0010

Description	Unit	Value
Electrical parameters		
Technical data acc. to VDE 0414 T44-1/ IEC/EN 60044-1		
Primary rated current I <sub>1N</sub>	A	See transformer
Secondary rated current I <sub>N2</sub>	A	See transformer
Rated frequency	Hz	50
Rated isolation level	kV	0,72 / 3,00
Thermal rated uninterrupted current	A	1,2 x I <sub>n</sub>
Thermal rated short-time current I <sub>th</sub>		60 x I <sub>n</sub> ; max. 50 kA
Permissible ambient temperature	°C	- 5 to + 40 °C
Extended current range		120%
Insulating material class acc. to IEC 60085		E
Connection of secondary terminal	mm <sup>2</sup>	2,5 - 4
Torque of secondary terminal	Nm	0,8



## Ε3-Current transformers

### Technical data

#### Current transformer block and current transformer class 0.5 s

Technical data acc. to VDE 0414 T 44-1 / IEC/EN 60044-1

Primary rated current	$I_{1N}$	300 A, 600 A, 800 A
Secondary rated current	$I_{2N}$	5 A
Rated frequency		50-60 Hz
Maximum voltage at equipment	$U_m$	720 V
Rated power-frequency withstand current (impulse-withstand voltage)		3 kV
Instrument security factor (FS)		FS 5
Thermal rated uninterrupted current		$1,2 \times I_{1N}$
Current rating		120% 800 A = 100%
Thermal rated short-time current		$I_{th} = 60 \times I_{1N}$ max. 50 kA
Rated dynamic current		$I_{dyn} = 2,5 \times I_{th}$ max. 120 kA
Permissible ambient temperature		-25° C to +55° C
Insulating material class acc. to IEC 60085		E
Degree of protection DIN/EN 60529/VDE 0470 T1		IP 20
Enclosure type		Closed enclosure
Enclosure material		Polyamide 6
Connection of secondary terminal		Box clamp 1.5 – 4 mm <sup>2</sup>
Torque of secondary terminal		0,8 Nm
Approved for official calibration		System number

#### Current transformer, class 1

Technical data acc. to VDE 0414 T 44-1 / IEC/EN 60044-1

Primary rated current	$I_{1N}$	150-1000 A
Secondary rated current	$I_{2N}$	1 and 5 A
Rated frequency		50-60 Hz
Maximum voltage at equipment	$U_m$	720 V
Rated power-frequency withstand current (impulse-withstand voltage)		3 kV
Instrument security factor (FS)		FS 5
Thermal rated uninterrupted current		$1,2 \times I_{1N}$
Current rating		120% 1000 A = 100%
Thermal rated short-time current		$I_{th} = 60 \times I_{1N}$ max. 50 kA
Rated dynamic current		$I_{dyn} = 2,5 \times I_{th}$ max. 120 kA
Permissible ambient temperature		-25° C to +55° C
Insulating material class acc. to IEC 60085		E
Degree of protection DIN/EN 60529/VDE 0470 T1		IP 20
Enclosure type		Closed enclosure
Enclosure material		Polyamide 6
Connection of secondary terminal		Box clamp 1.5 – 4 mm <sup>2</sup> , strand with end sleeve
Torque of secondary terminal		0,8 Nm

#### Recommended wiring for current transformer of class 1

Halogen-free multiple-strand wiring 2.5 mm<sup>2</sup> Temperature resistance 105 °C Test voltage 2500 V



## Fuse-Monitoring

In state-of-the-art power distribution grids, real-time communication of system statuses over longer distances is becoming more and more important so as to be able to respond quickly in the event of changes or malfunctions. The possibility for instantaneous communication of the interface as soon as the fuse has tripped is a must.

### System

The fuse-monitoring device is quickly and easily connected using the integrated terminals. In this way, the cables are routed safely under the field cover.

### Features

With the new electronic fuse-monitoring, EFEN's portfolio comprises an integrated solution that satisfies any imaginable requirement and is also suitable for retrofitting systems.



## Fuse-Monitoring

NH Fuse-Switches, horizontal design page 338

NH Fuse-Switches, horizontal design for DC applications page 348

**E<sup>3</sup>** NH Fuse-Switches, vertical design page 351

NH Fuse-Bases page 353

Accessories for tripping-indication and measurement devices. page 354

Technical data page 341

### Fuse-Monitoring electronic



### Fuse-Monitoring mechanical



### Easy upgrading

thanks to the **E<sup>3</sup>** uniform dimensions dimensions of the fuse-switch



## NH Fuse-Switches, horizontal design, size 000 – 4a for baseplate mounting

► Technical data, page 341



34170-0130

### NH fuse-switch, horizontal design, 690 V AC, 3-pole, for baseplate mounting

**Features:**

- Electronic fuse monitoring (ESÜ)
- No auxiliary power supply required
- Independent of feed side

Designation	Size	Amps	PU	Product designation	Order no.
Box clamp 2.5 – 50 mm <sup>2</sup>	000/53	100	1	SILAS NH000 ESF MA R4R4	<b>34040-0137</b>
Box clamp 2.5 – 95 mm <sup>2</sup>	00	160	1	SILAS NH00 ESF MA R5R5	<b>34076-0130</b>
Multiple-use terminal (bolt M8)	00	160	1	SILAS NH00 ESF MA U5U5	<b>34077-0130</b>
Multiple-use terminal (bolt M10)	1	250	1	SILAS NH1 ESF MA U2U2	<b>34170-0130</b>
Box clamp 35 – 150 mm <sup>2</sup>	1	250	1	SILAS NH1 ESF MA RR	<b>34175-0130</b>
Multiple-use terminal (bolt M10)	2	400	1	SILAS NH2 ESF MA U2U2	<b>34270-0130</b>
Box clamp 95 – 300 mm <sup>2</sup>	2	400	1	SILAS NH2 ESF MA RR	<b>34275-0130</b>
Multiple-use terminal (bolt M10)	3	630	1	SILAS NH3 ESF MA U2U2	<b>34370-0130</b>
Box clamp 95 – 300 mm <sup>2</sup>	3	630	1	SILAS NH3 ESF MA RR	<b>34375-0130</b>



34170-0030

### NH fuse-switch, horizontal design, 690 V AC, 3-pole, for baseplate mounting

**Features:**

- Mechanical fuse monitoring by motor protections switch (MSÜ)
- Monitoring of all fuses
- No auxiliary power supply required

Designation	Size	Amps	PU	Product designation	Order no.
Box clamp 2.5 – 95 mm <sup>2</sup>	00	160	1	SILAS NH00 SN R5R5	<b>34076-0030</b>
Multiple-use terminal (bolt M8)	00	160	1	SILAS NH00 SN U5U5	<b>34077-0030</b>
Multiple-use terminal (bolt M10)	1	250	1	SILAS NH1 SN U2U2	<b>34170-0030</b>
Box clamp 35 – 150 mm <sup>2</sup>	1	250	1	SILAS NH1 SN RR	<b>34175-0030</b>
Multiple-use terminal (bolt M10)	2	400	1	SILAS NH2 SN U2U2	<b>34270-0030</b>
Box clamp 95 – 300 mm <sup>2</sup>	2	400	1	SILAS NH2 SN RR	<b>34275-0030</b>
Multiple-use terminal (bolt M10)	3	630	1	SILAS NH3 SN U2U2	<b>34370-0030</b>
Box clamp 95 – 300 mm <sup>2</sup>	3	630	1	SILAS NH3 SN RR	<b>34375-0030</b>
Screw terminal M16, 3-pole switching	4a	1250	1	NH-LATR 4A 3P SN/SG L8L8	<b>34400-0030</b>

Measurement and Communication

## NH Fuse-Switches SILAS, horizontal design, size 000 to 3 busbar systems 40/12

### NH Fuse-Switches, horizontal design, for busbar mounting

Fuse-switches of the SILAS series are designed to be mounted on busbars. They feature a consistent installation depth and are easily and flexibly installed in accordance with customer requirements.

► Technical data, page 341



39000-0137

### NH piggyback Fuse-Switches, horizontal design, 690 V AC for 40/12 mm busbar systems, installation depth 70 mm, plug-in contacting

#### Features:

- Electronic fuse monitoring (ESÜ)
- No auxiliary power supply required
- Independent of feed side
- Size 1 and 2 with hook contacting, non-reversible, top terminal

Designation	Size	Amps	PU	Product designation	Order no.
Box clamp 2.5 – 50 mm <sup>2</sup> , bottom terminal	000	100	1	SILAS SB NH000 40 ESF MA AU R4	<b>39000-0137</b>
Box clamp 2.5 – 95 mm <sup>2</sup>	00	160	1	SILAS SB NH00 40 EB70 ESF MA R5	<b>39020-0130</b>
Multiple-use terminal (bolt M8)	00	160	1	SILAS SB NH00 40 EB70 ESF MA U5	<b>39021-0130</b>
Multiple-use terminal (bolt M10)	1	250	1	SILAS SB NH1 40 EB70 ESF MA U2	<b>39060-0130</b>
Box clamp 35 – 150 mm <sup>2</sup>	1	250	1	SILAS SB NH1 40 EB70 ESF MA R	<b>39061-0130</b>
Multiple-use terminal (bolt M10)	2	400	1	SILAS SB NH2 40 EB70 ESF MA AO U2	<b>39078-0130</b>
Box clamp 95 – 300 mm <sup>2</sup>	2	400	1	SILAS SB NH2 40 EB70 ESF MA AO R	<b>39079-0130</b>



39079-0030

### NH piggyback Fuse-Switches, horizontal design, 690 V AC for 40/12 mm busbar systems, installation depth 70 mm, plug-in contacting

#### Features:

- Mechanical fuse monitoring by motor protections switch (MSÜ)
- Monitoring of all fuses
- No auxiliary power supply required
- Size 1 and 2 with hook contacting, non-reversible, top terminal

Designation	Size	Amps	PU	Product designation	Order no.
Box clamp 2.5 – 95 mm <sup>2</sup>	00	160	1	SILAS SB NH00 40 EB70 SN R5	<b>39020-0030</b>
Multiple-use terminal (bolt M8)	00	160	1	SILAS SB NH00 40 EB70 SN U5	<b>39021-0030</b>
Multiple-use terminal (bolt M10)	1	250	1	SILAS SB NH1 40 EB70 SN U2	<b>39060-0030</b>
Box clamp 35 – 150 mm <sup>2</sup>	1	250	1	SILAS SB NH1 40 EB70 SN R	<b>39061-0030</b>
Multiple-use terminal (bolt M10)	2	400	1	SILAS SB NH2 40 EB70 SN AO U2	<b>39078-0030</b>
Box clamp 95 – 300 mm <sup>2</sup>	2	400	1	SILAS SB NH2 40 EB70 SN AO R	<b>39079-0030</b>

## NH Fuse-Switches SILAS, horizontal design, size 000 to 3 Busbar systems 60 mm

**The horizontal-design NH Fuse-Switches of the SILAS series** yield many benefits when installed on 60-mm busbar systems.

- Rotating hook contacting for top or bottom terminal position
- Narrowest device worldwide within this system (size 000)
- Consistent field cover height for all sizes

► Technical data, page 341



39040-0130

### NH piggyback Fuse-Switches, horizontal design, 690 V AC, for 60-mm busbar systems, 32 mm installation depth, hook contacting, for combination with D0 elements

**Features:**

- Electronic fuse monitoring (ESÜ)
- No auxiliary power supply required
- Independent of feed side

Designation	Size	Amps	PU	Product designation	Order no.
Box clamp 2.5 – 50 mm <sup>2</sup> , bottom terminal	000	100	1	SILAS SB NH000 60 ESF MA AU R4	<b>39010-0137</b>
Box clamp 2.5 – 50 mm <sup>2</sup> , top terminal	000	100	1	SILAS SB NH000 60 ESF MA AO R4	<b>39011-0137</b>
Box clamp 2.5 – 95 mm <sup>2</sup>	00	160	1	SILAS SB NH00 60 EB32 ESF MA R5	<b>39040-0130</b>
Box clamp 2.5 – 95 mm <sup>2</sup>	00	160	1	SILAS SB NH00 60 EB70 ESF MA R5	<b>39050-0130</b>
Multiple-use terminal (bolt M8)	00	160	1	SILAS SB NH00 60 EB70 ESF MA U5	<b>39052-0130</b>
Box clamp 2.5 – 95 mm <sup>2</sup>	00	160	1	SILAS SB NH00 60 EB70 SN R5	<b>39050-0030</b>
Multiple-use terminal (bolt M10)	1	250	1	SILAS SB NH1 60 EB70 ESF MA U2	<b>39064-0130</b>
Box clamp 35 – 150 mm <sup>2</sup>	1	250	1	SILAS SB NH1 60 EB70 ESF MA R	<b>39068-0130</b>
Multiple-use terminal (bolt M10)	2	400	1	SILAS SB NH2 60 EB70 ESF MA U2	<b>39070-0130</b>
Box clamp 95 – 300 mm <sup>2</sup>	2	400	1	SILAS SB NH2 60 EB70 ESF MA R	<b>39074-0130</b>
Multiple-use terminal (bolt M10)	3	630	1	SILAS SB NH3 60 EB70 ESF MA U2	<b>39080-0130</b>
Box clamp 95 – 300 mm <sup>2</sup>	3	630	1	SILAS SB NH3 60 EB70 ESF MA R	<b>39084-0130</b>
Box clamp 2.5 – 95 mm <sup>2</sup>	00	160	1	SILAS SB NH00 60 EB70 ESF MA R5	<b>39050-0130</b>



39068-0030

### NH piggyback Fuse-Switches, horizontal design, 690 V AC, for 60-mm busbar systems, 70 mm installation depth, hook contacting

**Features:**

- Mechanical fuse monitoring by motor protections switch (MSÜ)
- Monitoring of all fuses
- No auxiliary power supply required

Designation	Size	Amps	PU	Product designation	Order no.
Box clamp 2.5 – 95 mm <sup>2</sup>	00	160	1	SILAS SB NH00 60 EB70 SN R5	<b>39050-0030</b>
Multiple-use terminal (bolt M8)	00	160	1	SILAS SB NH00 60 EB70 SN U5	<b>39052-0030</b>
Multiple-use terminal (bolt M10)	1	250	1	SILAS SB NH1 60 EB70 SN U2	<b>39064-0030</b>
Box clamp 35 – 150 mm <sup>2</sup>	1	250	1	SILAS SB NH1 60 EB70 SN R	<b>39068-0030</b>
Multiple-use terminal (bolt M10)	2	400	1	SILAS SB NH2 60 EB70 SN U2	<b>39070-0030</b>
Box clamp 95 – 300 mm <sup>2</sup>	2	400	1	SILAS SB NH2 60 EB70 SN R	<b>39074-0030</b>
Multiple-use terminal (bolt M10)	3	630	1	SILAS SB NH3 60 EB70 SN U2	<b>39080-0030</b>
Box clamp 95 – 300 mm <sup>2</sup>	3	630	1	SILAS SB NH3 60 EB70 SN R	<b>39084-0030</b>

## Technical data of the electronic and mechanical fuse-monitoring devices

### Electronic fuse-monitoring

- Indication of fault-free operation by green LED
- Fault indication by red LED
- No auxiliary power supply required
- Remote indication via 4-pole connector and 1 NC and 1 NO contact
- Monitoring of all fuses red LED flashes in the case of failure
- Automatic reset after replacement of tripped fuse-link(s)
- Independent of feed side

Technical data	
Rated operational voltage $U_e$	AC 400 V – AC 690 V 50/60 Hz
Rated isolation voltage $U_i$	1000 V
Rated impulse withstand-current $U_{imp}$	8 kV
Conditional rated short-circuit current (when protected by NH fuse-links)	50 kA
Permissible ambient temperature	-20 °C – +55 °C
Delay	1 - 1,5 s
Function	Differential voltage > 30 V
Indicators	Operating voltage green LED flashes Fuse tripped: red LED flashes
Alert output	Relay with NC and NO contacts. Reliable isolation acc. to EN 50178
Operating voltage/current-alert output	AC 250 V/DC 30 V max. 5 A

### Mechanical fuse monitoring with circuit breaker

- Indication: Position "I" – ready for operation Position "0" – Fault
- Remote indication via 4-pole connector and 1 NC and 1 NO contact
- No auxiliary power supply required
- Monitoring of all fuses

Technical data				
Rated operational voltage $U_e$	AC 24 V–AC 690 V / 50/60 Hz / DC 24 V – DC 250 V			
Rated isolation voltage $U_i$	690 V			
Rated impulse withstand-current $U_{imp}$	6 kV			
Conditional rated short-circuit current (when protected by NH fuse-links)	50 kA			
Permissible ambient temperature	-20 °C – +55 °C			
Delay	< 0,5 s			
Function	From 25 V voltage drop			
Indicators	Ready for operation: handle position "I" Fault indication: handle position "0"			
Alert output	Aux. contact 1 NC + 1 NO			
Operating-voltage alert output	AC 24 V	AC 230 V	DC 24 V	DC 60 V
Operating-current alert output	2 A	0,5 A	1 A	0,15 A

## NH Fuse-Switches SILAS, horizontal design

For baseplate mounting, with electronic fuse-monitoring, up to 690 V AC

Description	Size	Amps I <sub>n</sub>	PU	Weight in kg	Designation	Order no.
With box clamp rm/re 50 mm <sup>2</sup>	000	100 A	1	0,5	SILAS NH000 ESF MA R4R4	34040-0137
Multiple-use terminal (bolt M8)	00	160 A	1	0,7	SILAS NH00 ESF MA U5U5	34077-0130
With box clamp rm/re 95 mm <sup>2</sup>	00	160 A	1	0,7	SILAS NH00 ESF MA R5R5	34076-0130
Multiple-use terminal (bolt M10)	1	250 A	1	2,1	SILAS NH1 ESF MA U2U2	34170-0130
With box clamp rm/re 150 mm <sup>2</sup>	1	250 A	1	2,2	SILAS NH1 ESF MA RR	34175-0130
Multiple-use terminal (bolt M10)	2	400 A	1	3,1	SILAS NH2 ESF MA U2U2	34270-0130
With box clamp rm/re 300 mm <sup>2</sup>	2	400 A	1	3,7	SILAS NH2 ESF MA RR	34275-0130
Multiple-use terminal (bolt M10)	3	630 A	1	3,6	SILAS NH3 ESF MA U2U2	34370-0130
With box clamp rm/re 300 mm <sup>2</sup>	3	630 A	1	4,1	SILAS NH3 ESF MA RR	34375-0130

For dimensions of fuse-monitoring devices see page 345

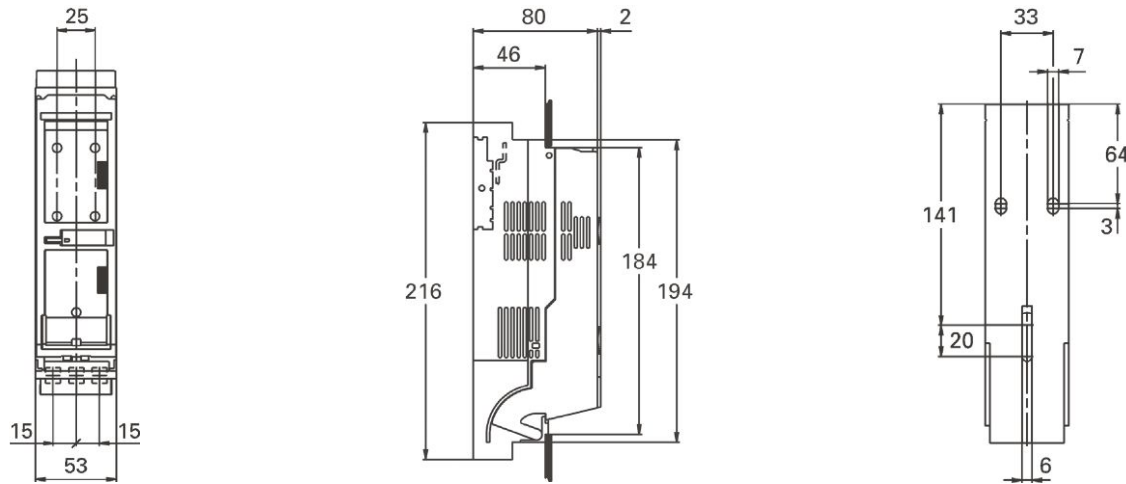
For baseplate mounting, with mechanical fuse-monitoring, up to 690 V

Description	Size	Amps I <sub>n</sub>	PU	Weight in kg	Designation	Order no.
Multiple-use terminal (bolt M8)	00	160 A	1	1,0	SILAS NH00 SN U5U5	34077-0030
With box clamp rm/re 95 mm <sup>2</sup>	00	160 A	1	1,0	SILAS NH00 SN R5R5	34076-0030
Multiple-use terminal (bolt M10)	1	250 A	1	2,4	SILAS NH1 SN U2U2	34170-0030
With box clamp rm/re 150 mm <sup>2</sup>	1	250 A	1	2,6	SILAS NH1 SN RR	34175-0030
Multiple-use terminal (bolt M10)	2	400 A	1	3,4	SILAS NH2 SN U2U2	34270-0030
With box clamp rm/re 300 mm <sup>2</sup>	2	400 A	1	4,0	SILAS NH2 SN RR	34275-0030
Multiple-use terminal (bolt M10)	3	630 A	1	3,9	SILAS NH3 SN U5U5	34370-0030
With box clamp rm/re 300 mm <sup>2</sup>	3	630 A	1	4,4	SILAS NH3 SN RR	34375-0030

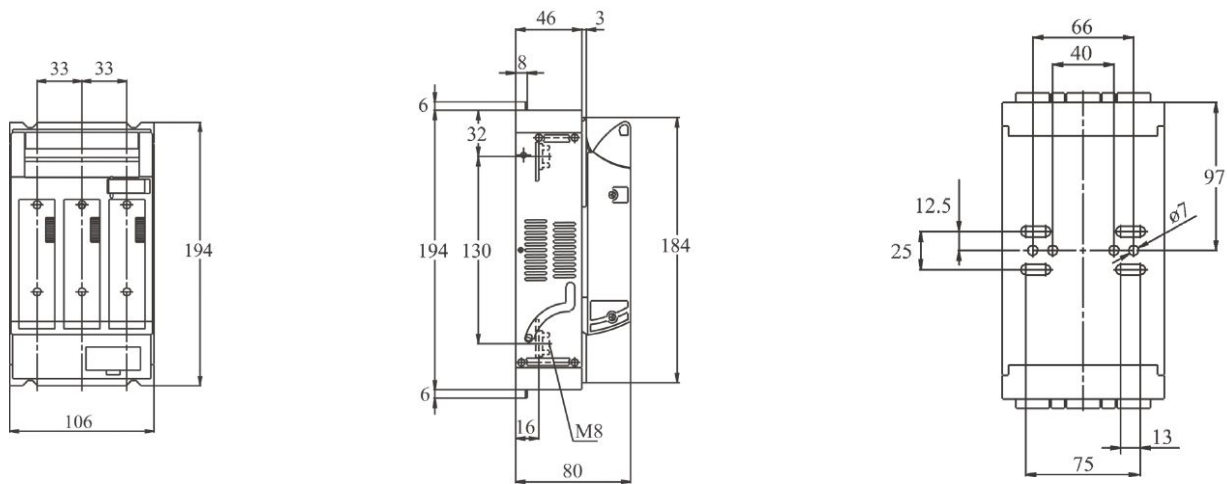
For dimensions of fuse-monitoring devices see page 345

# NH Fuse-Switches SILAS, horizontal design

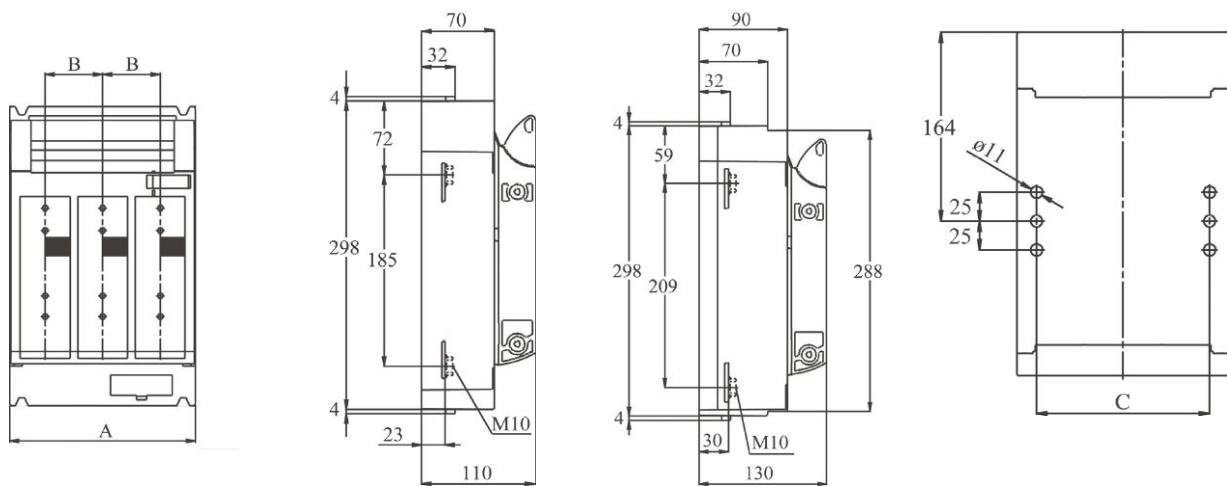
Dimensions drawings  
Size 000



Dimensions drawings  
Size 00



Dimensions drawings  
Size 1 - 3



Size	A	B	C
1	184	57	150
2	210	65	166
3	250	80	195

Size 1

Size 2/3

Measurement and Communication

## NH Fuse-Switches SILAS, horizontal design

For busbar system 40/12 according to DIN 43870, with electronic fuse-monitoring, up to 690 V AC

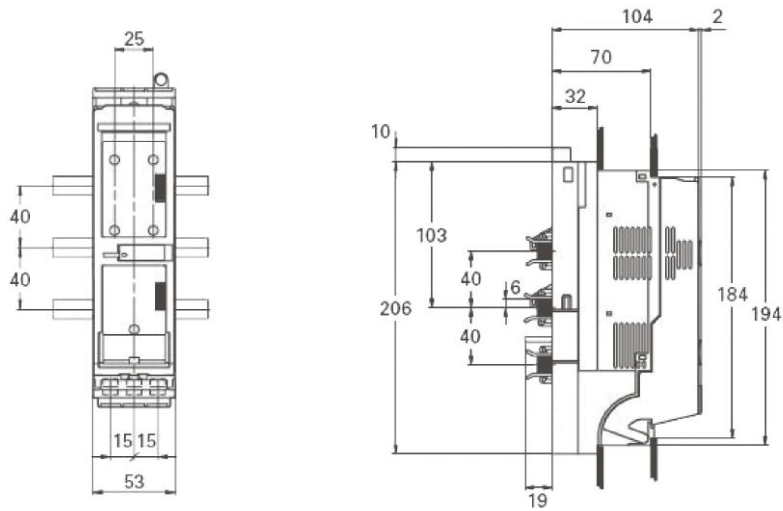
Description	Size	Amps I <sub>n</sub>	PU	Weight in kg	Designation	Order no.
With box clamp rm/re 50 mm <sup>2</sup> Bottom terminals	000	100 A	1	0,6	SILAS SB NH000 40 ESF MA AU R4	<b>39000-0137</b>
With box clamp rm/re 50 mm <sup>2</sup> Top terminals	000	100 A	1	0,6		<b>39001-0137</b>
Multiple-use terminal (bolt M8)	00	160 A	1	0,9	SILAS SB NH00 40 EB70 ESF MA U5	<b>39021-0130</b>
With box clamp rm/re 95 mm <sup>2</sup>	00	160 A	1	0,9	SILAS SB NH00 40 EB70 ESF MA R5	<b>39020-0130</b>
Multiple-use terminal (bolt M10)	1	250 A	1	2,3	SILAS SB NH1 40 EB70 ESF MA U2	<b>39060-0130</b>
With box clamp rm/re 150 mm <sup>2</sup>	1	250 A	1	2,3	SILAS SB NH1 40 EB70 ESF MA R	<b>39061-0130</b>
Multiple-use terminal (bolt M10)	2	400 A	1	3,3	SILAS SB NH2 40 EB70 ESF MA AO U2	<b>39078-0130</b>
With box clamp rm/re 300 mm <sup>2</sup>	2	400 A	1	3,6	SILAS SB NH2 40 EB70 ESF MA AO R	<b>39079-0130</b>

For busbar system 40/12 according to DIN 43870, with mechanical fuse-monitoring, up to 690 V

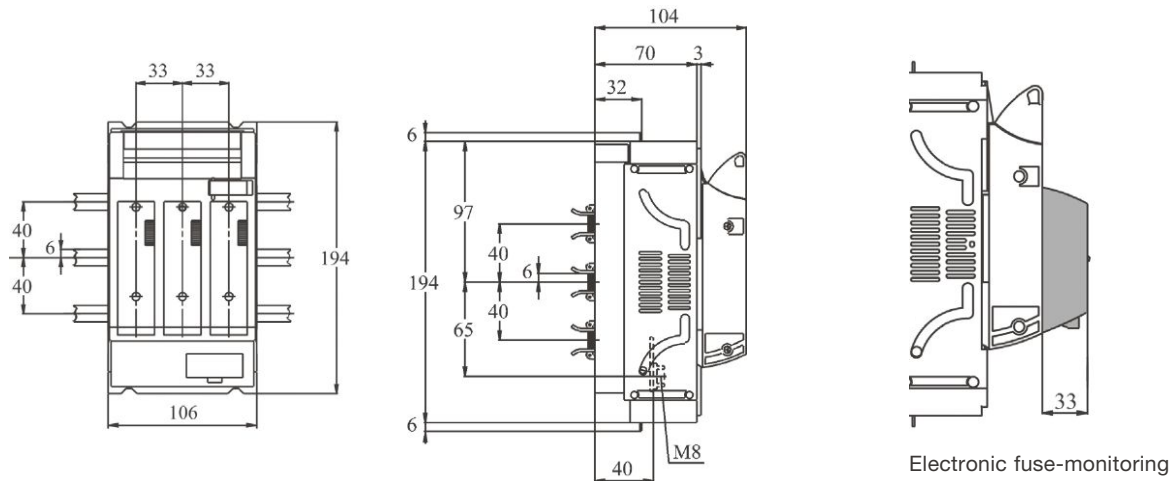
Description	Size	Amps I <sub>n</sub>	PU	Weight in kg	Designation	Order no.
Multiple-use terminal (bolt M8)	00	160 A	1	1,2	SILAS SB NH00 40 EB70 SN U5	<b>39021-0030</b>
With box clamp rm/re 95 mm <sup>2</sup>	00	160 A	1	1,2	SILAS SB NH00 40 EB70 SN R5	<b>39020-0030</b>
Multiple-use terminal (bolt M10)	1	250 A	1	2,6	SILAS SB NH1 40 EB70 SN U2	<b>39060-0030</b>
With box clamp rm/re 150 mm <sup>2</sup>	1	250 A	1	2,6	SILAS SB NH1 40 EB70 SN R	<b>39061-0030</b>
Multiple-use terminal (bolt M10)	2	400 A	1	3,6	SILAS SB NH2 40 EB70 SN AO U2	<b>39078-0030</b>
With box clamp rm/re 300 mm <sup>2</sup>	2	400 A	1	3,9	SILAS SB NH2 40 EB70 SN AO R	<b>39079-0030</b>

# NH Fuse-Switches SILAS, horizontal design

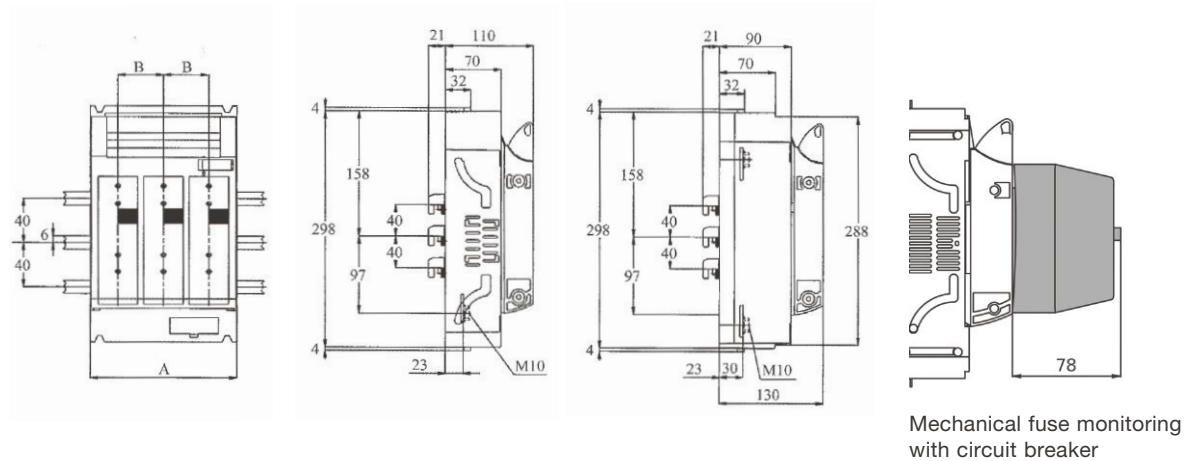
## Busbar mounting Size 000



## Busbar mounting Size 00



## Busbar mounting Size 1 - 3



Size	A	B
1	184	57
2	210	65
3	250	80

Size 1

Size 2/3

Measurement and Communication

## NH Fuse-Switches SILAS, horizontal design

For 60 mm busbar system, with electronic fuse-monitoring, up to 690 V AC

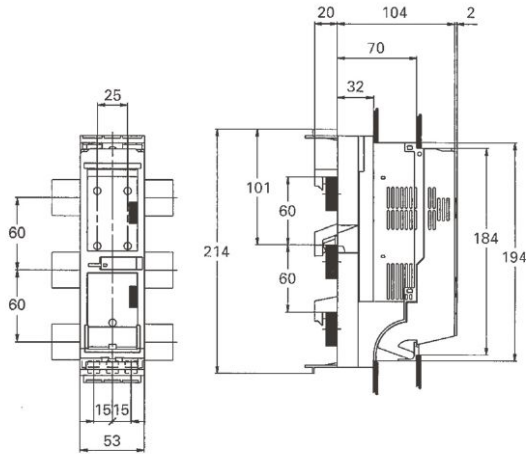
Description	Size	Amps I <sub>n</sub>	PU	Weight in kg	Designation	Order no.
With box clamp rm/re 50 mm <sup>2</sup> Bottom terminals	000	100 A	1	0,6	SILAS SB NH000 60 MA AU R4	<b>39010-0137</b>
With box clamp rm/re 50 mm <sup>2</sup> Top terminals	000	100 A	1	0,6	SILAS SB NH000 60 MA AO R4	<b>39011-0137</b>
Multiple-use terminal (bolt M8)	00	160 A	1	0,9	SILAS SB NH00 60 EB70 ESF MA U5	<b>39052-0130</b>
With box clamp rm/re 95 mm <sup>2</sup> Installation depth 70 mm	00	160 A	1	0,9	SILAS SB NH00 60 EB32 ESF MA R5	<b>39040-0130</b>
With box clamp rm/re 95 mm <sup>2</sup> Installation depth 70 mm	00	160 A	1	0,9	SILAS SB NH00 60 EB70 ESF MA R5	<b>39050-0130</b>
Multiple-use terminal (bolt M10)	1	250 A	1	2,3	SILAS SB NH1 EB70 ESF70 MA U2	<b>39064-0130</b>
With box clamp rm/re 150 mm <sup>2</sup>	1	250 A	1	2,3	SILAS SB NH1 60 EB70 ESF MA R	<b>39068-0130</b>
Multiple-use terminal (bolt M10)	2	400 A	1	3,3	SILAS SB NH2 60 EB70 ESF MA U2	<b>39070-0130</b>
With box clamp rm/re 300 mm <sup>2</sup>	2	400 A	1	3,6	SILAS SB NH2 60 EB70 ESF MA R	<b>39074-0130</b>
Multiple-use terminal (bolt M10)	3	630 A	1	4,0	SILAS SB NH3 60 EB70 ESF MA U2	<b>39080-0130</b>
With box clamp rm/re 300 mm <sup>2</sup>	3	630 A	1	4,1	SILAS SB NH3 60 EB70 ESF MA R	<b>39084-0130</b>

For 60 mm busbar system, with mechanical fuse-monitoring, up to 690 V

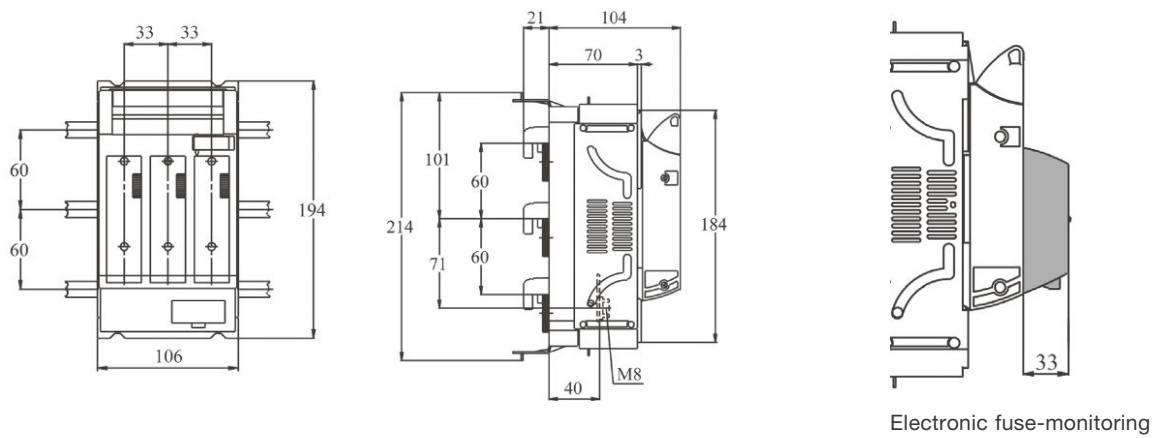
Description	Size	Amps I <sub>n</sub>	PU	Weight in kg	Designation	Order no.
Multiple-use terminal (bolt M8)	00	160 A	1	1,2	SILAS SB NH00 60 EB70 SN U5	<b>39052-0030</b>
With box clamp rm/re 95 mm <sup>2</sup> Installation depth 32 mm	00	160 A	1	1,2	SILAS SB NH00 60 EB32 SN R5	<b>39040-0030</b>
With box clamp rm/re 95 mm <sup>2</sup> Installation depth 70 mm	00	160 A	1	1,2	SILAS SB NH00 60 EB70 SN R5	<b>39050-0030</b>
Multiple-use terminal (bolt M10)	1	250 A	1	2,6	SILAS SB NH1 60 EB70 SN U2	<b>39064-0030</b>
With box clamp rm/re 150 mm <sup>2</sup>	1	250 A	1	2,6	SILAS SB NH1 60 EB70 SN R	<b>39068-0030</b>
Multiple-use terminal (bolt M10)	2	400 A	1	3,6	SILAS SB NH2 60 EB70 SN U2	<b>39070-0030</b>
With box clamp rm/re 300 mm <sup>2</sup>	2	400 A	1	3,9	SILAS SB NH2 60 EB70 SN R	<b>39074-0030</b>
Multiple-use terminal (bolt M10)	3	630 A	1	4,3	SILAS SB NH3 60 EB70 SN U2	<b>39080-0030</b>
With box clamp rm/re 300 mm <sup>2</sup>	3	630 A	1	4,5	SILAS SB NH3 60 EB70 SN R	<b>39084-0030</b>

# NH Fuse-Switches SILAS, horizontal design

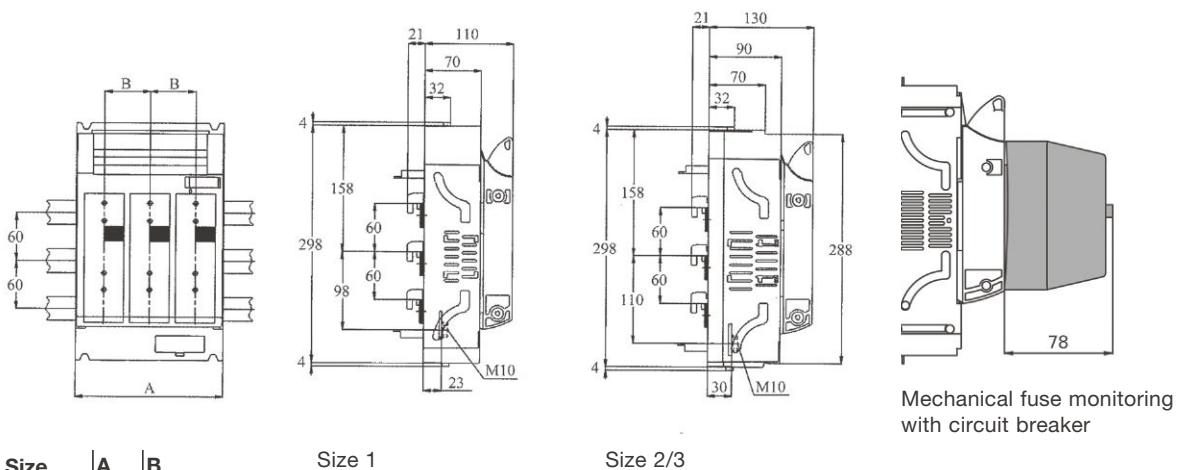
## Busbar mounting Size 000



## Busbar mounting Size 00



## Busbar mounting Size 1 – 3



Size	A	B
1	184	57
2	210	65
3	250	80

Measurement and Communication

## NH Fuse-Switches, 80 V and 550 V DC, 1-pole switching, for baseplate and busbar mounting



33107-0602

### TPS fuse-switch for baseplate mounting with fuse-monitoring

Designation	Size	Amps	PU	Product designation	Order no.
Flat terminal M8	00	250	2	U NH-LATR TPS 00/250 1P SM G4G4	<b>33107-0252</b>
Flat terminal M12	00	600	2	U NH-LATR TPS 00/600 1P SM L6L6	<b>33107-0602</b>
Flat terminal M16	2	1200	1	U NH-LATR TPS 2/1200 1P SN L8L8	<b>33460-0010</b>
Flat terminal 2 x M12	2	1600	1	U NH-LATR TPS 2/1600 1P SN L6L6	<b>33560-0010</b>



33111-0252

### TPS fuse-switch for busbar mounting with fuse-monitoring

Designation	Size	Amps	PU	Product designation	Order no.
Flat terminal M8	00	250	2	U NH-LATR TPS 00/250 1P SB SM G4	<b>33111-0252</b>
Flat terminal M12	00	600	2	U NH-LATR TPS 00/600 1P SB SM L6	<b>33111-0602</b>
Flat terminal M16	2	1200	1	U NH-LATR TPS 2/1200 1P SB SN L8	<b>33470-0010</b>
Flat terminal 2 x M12	2	1600	1	Flachanschluss 2x M12	<b>33570-0010</b>

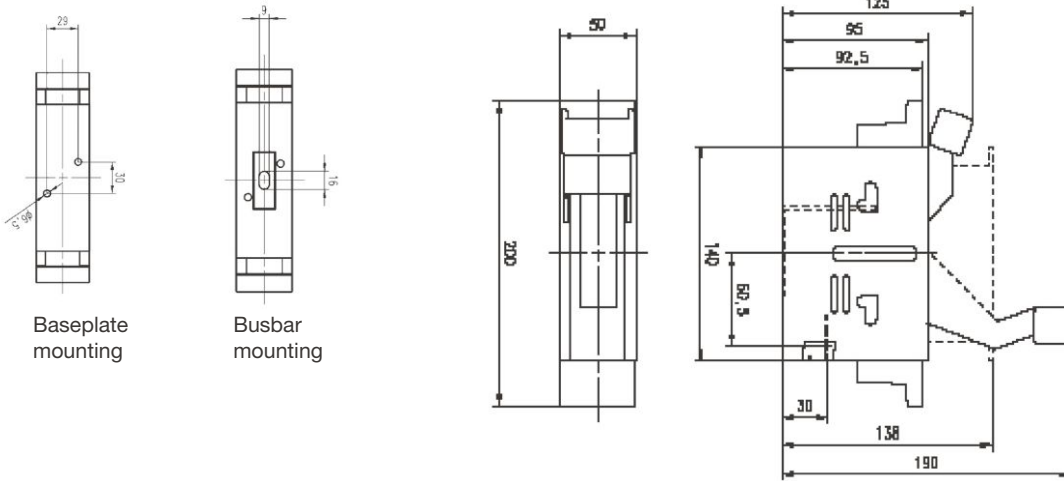
### Cover with integrated fuse-monitoring for NH fuse-switch 550 V DC

Designation	Size	PU	Product designation	Order no.
Cover with fuse-monitoring	1	1	DECKEL LA-LEI 1 SU	<b>83359-0100</b>
Cover with fuse-monitoring	2	1	DECKEL LA-LEI 2 SU	<b>83360-0100</b>
Cover with fuse-monitoring	3	1	DECKEL LA-LEI 3 SU	<b>83361-0100</b>

# NH Fuse-Switches for DC applications up to 80 V, TPS series

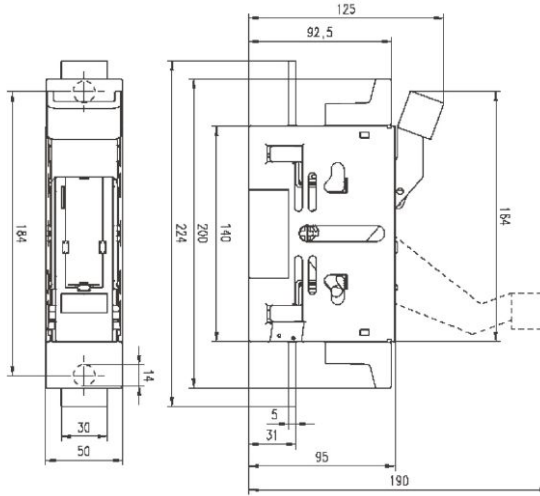
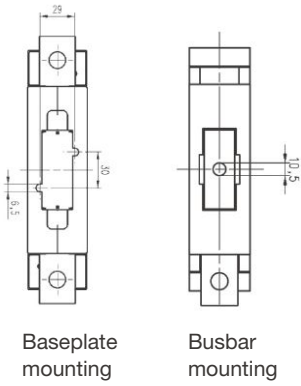
## TPS Fuse-Switches

### TPS 00/250

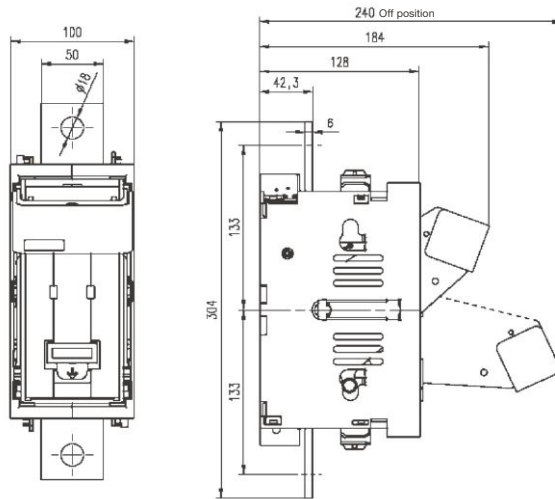
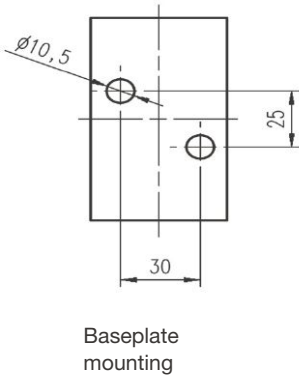


# NH Fuse-Switches for DC applications up to 80 V, TPS series

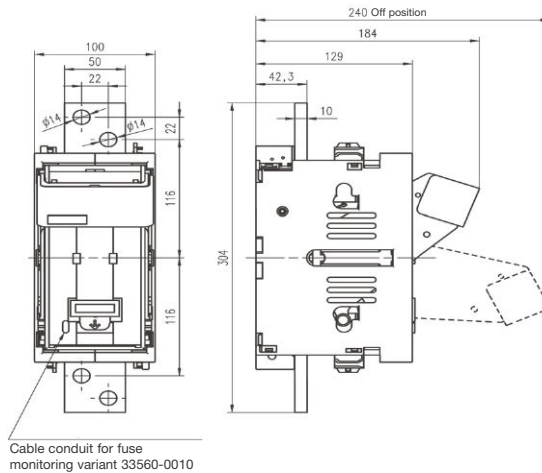
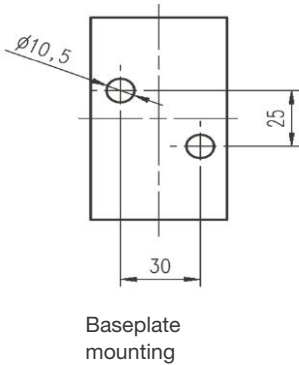
## TPS 00/600



## TPS 2/1200



## TPS 2/1600



Measurement and Communication

## NH Fuse-Switches, vertical design, with fuse-monitoring

► For further accessories see page 331 and following, for matching current transformers see page 330



38054-0030

### E<sup>3</sup> NH Fuse-Switches, vertical design, size 00/60 and 00/100, 3-pole switching, 160 A for 60 and 100 mm busbar systems, with electronic fuse-monitoring

#### Features:

- Busbar spacing 60 and 100 mm
- System in ready-state: LED flashes green
- System in fault state: LED flashes red

Designation	Size	Amps	PU	Product designation	Order no.
Size 00/60, 3-pole switching, with multiple-use terminal (screw M8), hook-contacting	00/60	160	1	E <sup>3</sup> NH-LA-LEI 00/60 3P ESÜ MA U5	<b>38044-0030</b>
Size 00/60, 3-pole switching, with box clamp 95 mm <sup>2</sup> , hook-contacting	00/60	160	1	E <sup>3</sup> NH-La-Lei 00/60 3P ESÜ Ma R5	<b>38046-0030</b>
Size 00/100, 3-pole switching, with multiple-use terminal (screw M8), hook-contacting	00/100	160	1	E <sup>3</sup> NH-La-Lei 00/100 3P Bh ESÜ Ma U5	<b>38054-0030</b>
Size 00/100, 3-pole switching, with box clamp 95 mm <sup>2</sup> , hook-contacting	00/100	160	1	E <sup>3</sup> NH-La-Lei 00/100 3P Bh ESÜ Ma R5	<b>38056-0030</b>



38016-0040

### E<sup>3</sup> NH Fuse-Switches, vertical design, size 1 – 3, 3-pole switching, for 185 mm busbar spacing, with electronic fuse-monitoring

#### Features:

- integrated wiring inside switching cover

Designation	Size	Amps	PU	Product designation	Order no.
With multiple-use terminal (bolt M12) with 1 elec. fuse mon. (ESÜ)		250	1	E <sup>3</sup> NH-LA-LEI 1 3P ESÜ MA U6	<b>38016-0040</b>
With multiple-use terminal (bolt M12) with 2 elec. fuse mon. (ESÜ)		400	1	E <sup>3</sup> NH-LA-LEI 2 3P ESÜ MA U6	<b>38026-0040</b>
With multiple-use terminal (bolt M12) with 3 elec. fuse mon. (ESÜ)		630	1	E <sup>3</sup> NH-LA-LEI 3 3P ESÜ MA U6	<b>38036-0040</b>

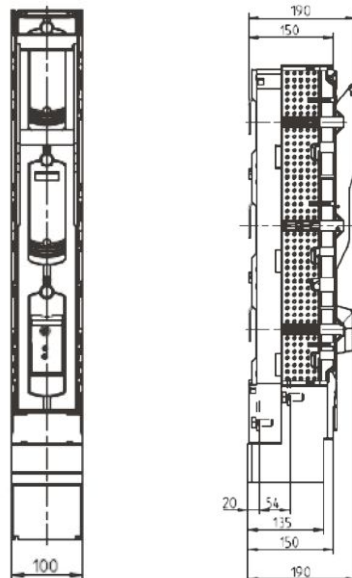
## E<sup>3</sup> NH Fuse-Switches, vertical design, with electronic fuse-monitoring

### Technical data

Article designation	Size	Amps	Order no.
E <sup>3</sup> NH-LA-LEI 1 3P ESÜ2 MA U6	NH 1	250	38016-0640
E <sup>3</sup> NH-LA-LEI 2 3P ESÜ2 MA U6	NH 2	400	38026-0640
E <sup>3</sup> NH-LA-LEI 3 3P ESÜ2 MA U6	NH 3	630	38036-0640

For NH Fuse-Switches acc. to VDE 0660 T-107 / IEC/EN 60947-1/-3

Suitable for NH fuse-links acc. to DIN 43210/1				Size NH1	Size NH2	Size NH3
Rated operating current	400 V	I <sub>e</sub>	A	250	400	630
	500 V			250	400	630
	690 V			200	315	500
Conventional free-air thermic current		I <sub>th</sub>	A	250	400	630
Rated operating voltage		U <sub>e</sub>	V	AC 690	AC 690	AC 690
Rated insulation voltage		U <sub>i</sub>	V	1000	1000	1000
Rated impulse withstand-current		U <sub>imp</sub>	kV	8	8	8
Conditional rated short-circuit current (when protected by NH fuse-links)	400 V		kA <sub>eff</sub>	120	120	120
	500 V			120	120	120
	690 V			100	100	100
Utilization category VDE 0660 T107/EN/IEC 60947-3	400 V			AC-23B	AC-23B	AC-23B
	500 V			AC-22B	AC-22B	AC-22B
	690 V			AC-21B	AC-21B	AC-21B
Mechanical durability		Cycles		1400	1400	1400
Electrical durability		Cycles		200	200	200
Permissible ambient temperature		°C		-25 to +55 °C	-25 to +55 °C	-25 to +55 °C
Degree of protection DIN/EN 60529/VDE 0470 T1		IP		30	30	30
Max. permissible power dissipation of NH fuse-link		P <sub>V</sub>	W	23	34	48
Total power dissipation (without fuse-link)		P <sub>V</sub>	W	27	56	111
Pollution degree		-	-	3	3	3
Overvoltage category		-	-	IV	IV	IV
Rated frequency		-	Hz	50-60	50-60	50-60
Weight without NH fuse-link		-	kg	4,8	5,1	5,7

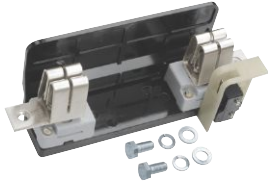


### Technical data of electronic fuse-monitoring devices

Rated operational voltage U <sub>e</sub>	AC 400 V – AC 690 V 50/60 Hz
Rated isolation voltage U <sub>i</sub>	1000 V
Rated impulse withstand-current U <sub>imp</sub>	8 kV
Conditional rated short-circuit current (when protected by NH fuse-links)	50 kA
Permissible ambient temperature	-20 °C – +55 °C
Delay	1 - 1,5 s
Function	Differential voltage > 30 V
Indicators	Operating voltage green LED flashes Fuse tripped: red LED flashes
Alert output	Relay with NC and NO contacts. Reliable isolation acc. to EN 50178
Operating voltage/current-alert output	

# NH Fuse-Bases with fuse-monitoring

► Technical data, page 356



33041-0010

## NH Fuse-Bases of size 3L, for base-plate mounting with striker for fuse-monitoring, 1500 V AC

Designation	Size	Amps	PU	Product designation	Order no.
Clinch nut M12, with striker	3L	425	1	A NH-UNT 3L 1500V MS G6G6	<b>33041-0010</b>
Clinch nut M16, with striker	3L	630	1	NH-UNT 3L 1500V MS G8G8	<b>33042-0010</b>



33087-0010

## Striker bases

Designation	PU	Product designation	Order no.
690 V	5	SIG-UNT 690V MS G2	<b>33087-0010</b>
1000 V	5	A SIG-UNT 1000V MS G2	<b>33088-0010</b>
1200 V	4	SIG-UNT 1200V MS G2	<b>33089-0010</b>
1500 V	4	SIG-UNT 1500V MS G2	<b>33090-0010</b>
2000 V	4	SIG-UNT 2000V MS G2	<b>33091-0010</b>



36031-0020

## Strikers

Designation	PU	Product designation	Order no.
690 V / NS 3001	12	SIGNALMELDER 690V	<b>36000-0010</b>
1000 V / NS 3002	12	A SIGNALMELDER 1000V	<b>36001-0010</b>
2000 V / NS 3005	16	SIGNALMELDER 2000V	<b>36002-0010</b>
1500 V / NS 3003	15	SIGNALMELDER 1500V	<b>36003-0010</b>
1200 V / NS 3015	25	SIGNALMELDER 1200V	<b>36007-0010</b>
Striker 690 V / >=2 V	12	ELEGARD-EINSATZ >=2V	<b>36031-0020</b>



36030-0010

## Elegard

Designation	PU	Product designation	Order no.
Holder	4	ELEGARD-HALTER	<b>36030-0000</b>
Striker (elegard striker unit) for fuse-monitoring, size 1 – 3	12	ELEGARD-EINSATZ	<b>36031-0010</b>
Striker 690 V / >=2 V	12	ELEGARD-EINSATZ >=2V	<b>36031-0020</b>

## Accessories for switch position indication



36107-0010

### Microswitch for switch position indication for NH Fuse-Switches

**Features:**

- For switch position indication

Designation	Size	PU	Product designation	Order no.
Microswitch for switch position indication	000	1	MIKROSCHALTER FÜR SCHALTZUSTANDSANZEIGE	<b>36107-0010</b>
Microswitch for switch position indication	2	1	MIKROSCHALTER FÜR SCHALTZUSTANDSA. TPS 2	<b>36887-0010</b>



36959-0060

### Microswitch for switch position indication for NH Fuse-Switches

**Features:**

- For switch position indication

Designation	Size	PU	Product designation	Order no.
Microswitch, narrow variant	000	1	MIKROSCHALTER GR.000-00 SILAS	<b>36959-0010</b>
Microswitch	1-3	1	MIKROSCHALTER GR.1-3 SILAS	<b>36959-0060</b>



36335-0010

### Microswitch for position indication for E³ NH Fuse-Switches, size 00

**Features:**

- NC-contact or NO-contact microswitch
- 2 A / 250 V AC plug-in tab 2.8 x 0.5 mm

**Use:**

- 2 microswitches for 3-pole switching devices

Designation	Size	PU	Product designation	Order no.
Microswitch for switch position indication, 1 NC contact or 1 NO contact, 1 kit = 6 pieces	00/60 00/185	6	Mikrosch.Schaltstellng. E³00 (1Set=6St)	<b>36335-0010</b>



36375-0010

### Microswitch for position indication for E³ NH Fuse-Switches, size 1 - 3

**Features:**

- Microswitch with NC contact or NO contact

**Use:**

- For 1-pole switching: 3 microswitches

Designation	PU	Product designation	Order no.
Microswitch for switch position indication, 1 NC contact or 1 NO contact, 1 set = 6 pieces	6	Mikrosch.Schaltstellng. E³1-3 (1Set=6St)	<b>36375-0010</b>

Measurement and Communication

## Accessories for metering devices with dial indicator

► Technical data, page 358



81152-0100

### Power metering

Designation	Size	Amps	PU	Product designation	Order no.
Locking ring			1	RING 30X1,2 DIN984	<b>25304-0100</b>
Current converter NH fuse-link 400 V	2	100	3	NH-SI 2 100A GL AG AC400V WA LE	<b>35067-0010</b>
Current converter NH fuse-link 400 V	2	125	3	NH-SI 2 125A GL AG AC400V WA LE	<b>35067-0020</b>
Current converter NH fuse-link 400 V	2	160	3	NH-SI 2 160A GL AG AC400V WA LE	<b>35067-0030</b>
Current converter NH fuse-link 400 V	2	200	3	NH-SI 2 200A GL AG AC400V WA LE	<b>35067-0040</b>
Current converter NH fuse-link 400 V	2	224	3	NH-SI 2 224A GL AG AC400V WA LE	<b>35067-0050</b>
Current converter NH fuse-link 400 V	2	250	3	NH-SI 2 250A GL AG AC400V WA LE	<b>35067-0060</b>
Current converter NH fuse-link 400 V	2	315	3	NH-SI 2 315A GL AG AC400V WA LE	<b>35067-0070</b>
Current converter NH fuse-link 400 V	2	355	3	NH-SI 2 355A GL AG AC400V WA LE	<b>35067-0080</b>
Current converter NH fuse-link 400 V	2	400	3	NH-SI 2 400A GL AG AC400V WA LE	<b>35067-0090</b>
Current converter NH fuse-link 400 V	3	630	3	NH-SI 3 630A GL AC400V WA LE	<b>35190-0060</b>
Summary current transformer 300-600/5, for devices with 115 mm width only	3		2	AUFSTW. NH 6.3 600-300/5A 10-5VA KL3	<b>81153-0100</b>
Maximum current meter, measurement range 100 – 200/5	2		1	MAX.-STROMMESSER 100-200/5A	<b>85153-0100</b>
Metering case A			1	KOFFER F. MESSWANDLER-SI. GRÖSSE A	<b>85196-0100</b>
Metering case B			1	KOFFER F. MESSWANDLER-SI. GRÖSSE B	<b>85263-0100</b>
Summary current transformer 200 – 400/5	2		1	AUFSTW. NH 6.2 400-200/5A 5-2,5VA KL3	<b>81142-0100</b>
Summary current transformer 100 – 200/5	2		1	AUFSTW. NH 6.2 200-100/5A 2,5-1,25VA KL3	<b>81152-0100</b>
Maximum current meter, measurement range 200 – 400/5	2		1	MAX.-STROMMESSER 200-400/5A	<b>85094-0100</b>
Maximum current meter, measurement range 200 – 400/1	2		1	MAX.-STROMMESSER 200-400/1A	<b>85094-0300</b>
Maximum current meter, measurement range 300 – 600/5	3		1	MAX.-STROMMESSER 300-600/5A	<b>85100-0100</b>

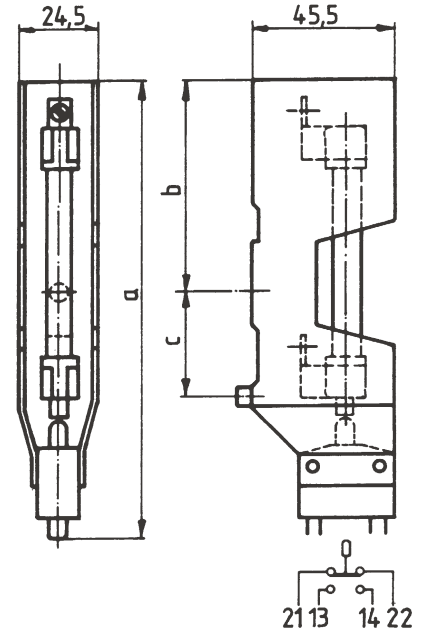
## NH Accessories

### Fuse-monitoring

Fuse-monitoring devices are used for example in power converter systems in parallel with power transformer fuses or in AC and DC power systems.

### Striker bases

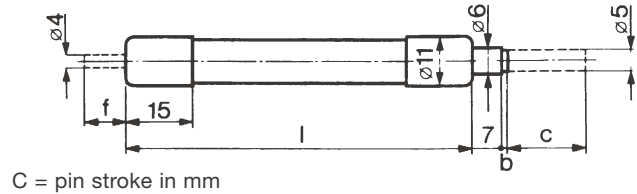
Striker bases are fitted with auxiliary switches  
 1 NC contact and 1 NO contact (2 NO contacts upon request)  
 $U_e = 380 \text{ V AC} / 125 \text{ V DC}$  (under resistive load)  
 $I_e = 10 \text{ A AC} / 0.5 \text{ A DC}$  (under resistive load)  
 Connection by 6.3-mm tabs acc. to DIN 46248.



Designation	PU	Dimensions			Order no.
		a	b	c	
Striker base 690 V	5	129	42	40	33087-0010
Striker base 1000 V	5	148	61	40	33088-0010
Striker base 1200 V	4	213	72,5	70	33089-0010
Striker base 1500 V	4	194	72,5	70	33090-0010
Striker base 2000 V	4	233	107,5	70	33091-0010

### Strikers

Strikers are tripped together with the NH fuse connected in parallel. A striker in itself does not represent a fuse, i.e. it must always be connected in parallel with an NH fuse-link.



Designation	PU	Minimum sensitivity		R	Dimensions				Order no.
		V	A		$\Omega$	b	c	f	
Striker 690 V	12	9	2,5	2	1	18	-	60±1	36000-0010
Striker w. elegend striker unit	12	9							36031-0010
Striker 690 V ≥ 2 V	12	2	7	0,3	1	18	-	60±1	36031-0020
Striker 1000 V	12	10	3	2,4	1	18	-	79±1	36001-0010
Striker 1200 V	30	48	2	18	36	17	-	100±3	36006-0010
Striker 1200 V	25	48	2	18	25	17	-	100±3	36007-0010
Striker 1500 V	15	48	2	18	8	20	-	116±1	36003-0010
Striker 1500 V with pin	25	48	2	18	8	20	11,5	116±1	36004-0010
Striker 2000 V	16	55	2,5	20	8	20	-	150±1	36002-0010

Measurement and Communication

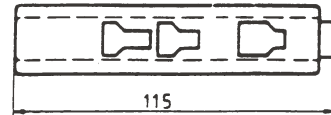
# NH Accessories

## elegard

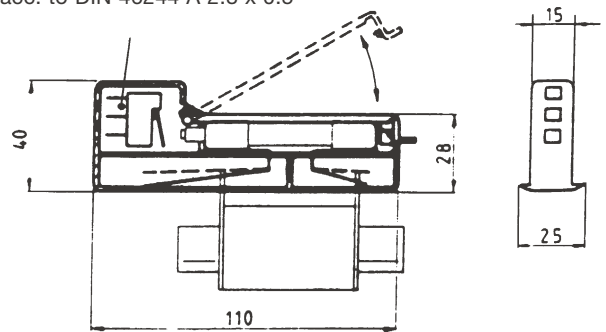
elegard fuse-monitoring is compatible with all standard NH fuse-links with non-insulated gripping lugs from size 00 to 4. A replaceable elegard striker unit is electrically connected to the live gripping lugs of the NH fuse-link via the spring contacts of the elegard holder. The striker unit sits on the NH fuse-link. If this is tripped, the elegard striker unit releases a pin acting on a microswitch integrated in the elegard holder.

Designation	PU	Order no.
elegard holder	4	36030-0000
elegard striker unit 690 V / > 9 V	12	36031-0010
elegard striker unit 690 V / ≥ 2 V	12	36031-0020

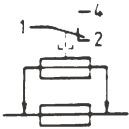
Microswitch AC 250 V 5 A



Tab acc. to DIN 46244 A 2.8 x 0.5



Only replace striker unit after the elegard holder has been removed



## NH Accessories

### Metering case for transport

EFEN metering cases are available into two sizes.

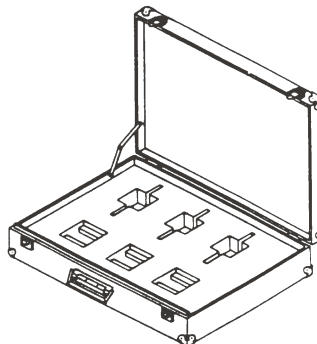
**Size A** fits of the following equipment:

- 3 current-transformer NH fuse-links size 2
- 3 summary current transformers
- 3 maximum-current meters
- 3 locking rings

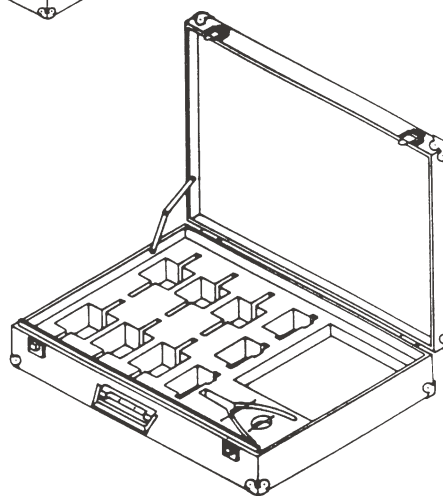
**Size B** fits the following equipment:

- 6 current-transformer NH fuse-links size 2
- 3 summary current transformers
- 3 maximum-current meters
- 1 circlip pliers
- 6 locking rings
- 1 NH fuse handle with cuff

Size A



Size B



Designation	PU	Order no.
Metering case size A	1	85196-0100
Metering case size B	1	85263-0100

## NH Accessories

### Current metering

EFEN offers a current metering set for the temporary or continuous metering of load currents. The set comprises:

- Maximum-current meter
- Summary current transformer
- Current-transformer NH fuse-link

In its general dimensions, the combination of current-transformer NH fuse-link and summary current transformer complies with DIN VDE 0636/T2. It fits standard NH fuse bases, NH fuse-rails and EFEN NH vertical fuse-switches.

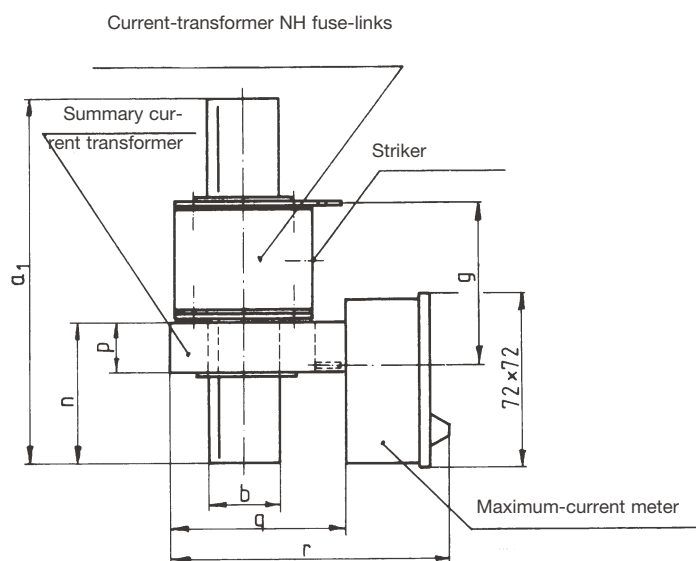
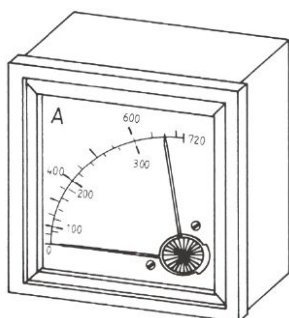
The electric properties of the NH fuse-links comply with VDE 0636/T2 and IEC 60 269-2.

The summary current transformer has two pairs of sockets for the metering ranges required. Since the no-load voltage is only 3 V, the summary current transformer can be used in open circuits.

The maximum-current meter has two dials for the corresponding metering ranges.

The response time is 8 minutes.

The overload protection covers 2 times the rated current.



Size	a <sub>1</sub>	b	g	n	p	q	r
2	150	30	66	59	20	74	123
3	152	32	66	64	24	88	131

Designation	Size	Metering range	PU	Weight	Order no.
Maximum-current meter	2	200-400/5 A	1	0,100	85094-0100
Maximum-current meter	2	200-400/1 A	1	0,100	85094-0300
Maximum-current meter	2	100-200/5 A	1	0,100	85153-0100
Maximum-current meter	3	300-600/5 A	1	0,100	85100-0100
Summary current transformer	2	200-400/5 A	1	0,100	81142-0100
Summary current transformer	2	100-200/5 A	1	0,100	81152-0100
Summary current transformer for devices 115 mm wide	3	300-600/5 A	1	0,100	81153-0100
Current-transformer NH fuse-link 400 V	2	100 A	1	0,526	35067-0010
Current-transformer NH fuse-link 400 V	2	125 A	1	0,530	35067-0020
Current-transformer NH fuse-link 400 V	2	160 A	1	0,532	35067-0030
Current-transformer NH fuse-link 400 V	2	200 A	1	0,532	35067-0040
Current-transformer NH fuse-link 400 V	2	224 A	1	0,532	35067-0050
Current-transformer NH fuse-link 400 V	2	250 A	1	0,529	35067-0060
Current-transformer NH fuse-link 400 V	2	315 A	1	0,526	35067-0070
Current-transformer NH fuse-link 400 V	2	(355) A	1	0,538	35067-0080
Current-transformer NH fuse-link 400 V	2	400 A	1	0,535	35067-0090
Current-transformer NH fuse-link 400 V	3	630 A	1	0,400	35190-0060
Locking rings			1	0,100	25304-0100





**Metering devices**

- Multifunctional metering devices page 362
- Maximum-current meters page 362
- Technical data page 363

**Metering on site**

Installation directly on the vertical-design fuse-switch or in the front panel



**Multifunctional metering device**

Power metering, visualization, harmonics analysis, data storage, power management



**Extension Modules**

Various interfaces such as JBUS/MODBUS, Profibus, Ethernet, data storage, temperature, analog



**Maximum-current meter**

Measurement range 100 to 600 A



## Multifunctional metering devices – EM series



36360-0010

### Multifunctional metering device EM 10

**Features:**

- For measurement, power metering and communication
- Auxiliary voltage supply  $U_s$  110 – 160 V AC
- Fits device carrier 36422-0010

Designation	PU	Product designation	Order no.
Multifunctional metering device EM 10 96 x 96 x 60 mm Aux. 110 – 400 V AC	1	A20/EM10 96x96x60 AUX110-400VAC 48250200	<b>36360-0010</b>
Control Vision software	1	Software EM10/EM30 Control Vision	<b>36364-0010</b>
IP65 protection cover	1	Schutzabdeckung IP65 EM10/EM30	<b>36365-0010</b>



36361-0010

### Plug-in module for EM 10

**Features:**

- Fits multi-measurement device EM 10
- Mounts to backside
- Installation depth of module is 20 mm

Designation	PU	Product designation	Order no.
Plug-in module EM 10, pulsed output	1	Modul EM10 Impulsausgang	<b>36361-0010</b>
Plug-in module EM 10, communication	1	Modul EM10 JBUS/MODBUS	<b>36361-0020</b>



36362-0010

### Multifunctional metering device EM 30

**Features:**

- Multifunctional measuring
- Power metering
- Visualization
- Harmonic analysis
- Monitoring and controlling
- Energy management
- Grid quality
- Database

Designation	PU	Product designation	Order no.
Multifunctional metering device EM 30 96 x 96 x 60 mm Aux. 110 – 400 V AC	1	A40/EM30 96x96x60 AUX110-400VAC 48250201	<b>36362-0010</b>
Multifunctional metering device EM 30 96 x 96 x 60 mm Aux. 12 – 48 V DC	1	EM30 96x96x60 AUX 12-48V DC	<b>36362-0020</b>
Control Vision software	1	Software EM10/EM30 Control Vision	<b>36364-0010</b>
IP65 protection cover	1	Schutzabdeckung IP65 EM10/EM30	<b>36365-0010</b>



36363-0010

### Plug-in module for EM 30

**Features:**

- Fits multi-measurement device EM 30
- Mounts to backside
- Installation depth of module is 20 mm

Designation	PU	Product designation	Order no.
Plug-in module EM 30, pulsed output	1	Modul EM30 Impulsausgang	<b>36363-0010</b>
Plug-in module EM 30, JBUS/MODBUS	1	Modul EM30 JBUS/MODBUS	<b>36363-0030</b>
Plug-in module EM 30, Profibus	1	Modul EM30 Profibus	<b>36363-0040</b>
Plug-in module EM 30, monitoring/controlling	1	Modul EM30 Kontrolle/Steuerung	<b>36363-0050</b>
Plug-in module EM 30, Ethernet	1	Modul EM30 Ethernet	<b>36363-0060</b>
Plug-in module EM 30, Ethernet RS485 Gateway	1	Modul EM30 Ethernet RS485 Gateway	<b>36363-0070</b>
Plug-in module EM 30, memory module	1	Modul EM30 Speichermodul	<b>36363-0080</b>
Plug-in module EM 30, temperature indicator	1	Modul EM30 Temperatur	<b>36363-0090</b>
Plug-in module EM 30, analog output	1	Modul EM30 Analog Ausgang	<b>36363-0100</b>

# EM multifunctional metering devices

## Technical data

	EM10	EM30
<b>Current metering</b>		
Current (3I, In)	•	•
Phase-to-phase and phase-to-neutral voltage (3U, 3V)	•	•
Frequency (F)	•	•
Active, reactive, apparent and total power (+ΣP, +ΣQ, ΣS)	•	
Active, reactive, app. power p. phase and total power (±3P, ±3Q, 3S, ±ΣP, ±ΣQ, ΣS)		•
Total power factor (ΣPF)	•	
Power factor per phase and summary power (3PFL/C, ΣPFL/C)		•
<b>Metering of maximum and average values</b>		
Maximum current (3I, In)	•	•
Phase-to-phase and phase-to-neutral voltage and frequency (3U, 3V, F)		•
Total active power (ΣP+)	•	
Total active, reactive and apparent power (±ΣP, ±ΣQ, ΣS)		•
<b>Metering of power quality</b>		
Total harmonic distortion for integrated current and voltage up to 31st level (THD 3I, 3V, 3U)	•	
Total harmonic distortion for integrated current and voltage up to 51st level (THD 3I, In, 3V, 3U)		•
<b>Meters</b>		
Two-quadrant active and reactive power (+kWh, +kvarh)	•	
Four-quadrant active, reactive and apparent power (±kWh, ±kvarh, kVAh)		•
Operating hours counter, configurable to voltage or current		•
<b>Metering type</b>		
Grid type (3 P, 3 P+N and single-phase)	NS	NS/HS
TRMS values up to harmonics	51	
<b>Metering accuracy</b>		
Current and voltage	0,2 %	
Power	0,5 %	
Frequency	0,1 %	
Active power	Class 0.5S IEC 62053-22	
Reactive power	Class 2 IEC 62053-23	
<b>Refresh period</b>		
Display	1 s	
<b>Current inputs</b>		
Primary side of current transformer		
Secondary side of current transformer	5 A	5 A and 1 A
Metering range	5 mA to 6 A	10 mA to 20 A
Permissible overload	50 A - 1 s	
Consumption	< 0,6 VA	< 0,1 VA
Connection of current transformer secondary side to earth	yes	
<b>Voltage inputs</b>		
Direct metering	50 to 500 V AC	18 to 700 V AC
Metering via current transformers (secondary side 60, 100, 110, 115, 120, 173 and 190 V)	Not available	up to 500 kV AC
Frequency	45 to 65 Hz	
<b>Auxiliary power supply</b>		
standard	110 to 400 V AC ±10 % / 120 to 350 V DC ±20 %	
Please inquire	Not available	12 to 48 V DC -6 / +20 % (not UL)
<b>Inputs</b>		
Type	Not available	Optocoupler (10 to 30 V DC)
<b>Monitoring and drive output</b>		
Type	Not available	Relay (230 V AC – 5 A – 1150 VA)
<b>Pulsed outputs</b>		
Type	Relay (100 V DC – 0.5 A – 10 VA)	
<b>Memory module</b>		
Memory capacity	–	1024 kbits (512 Kb)

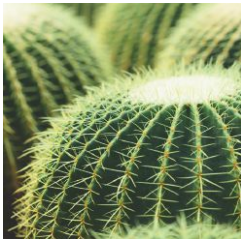


## IN THE LINE OF POWER



### Efficient Distribution

When it comes to reliable power supply, replacing nuclear power by renewable energies is one of the greatest challenges. To this end, EFEN offers consistent solutions for safety interfaces from power generation to power storage and to the selective control of consumers.



### Reliable Protection

Reliable protection of people and assets is a key requirement of any power distribution system. The comprehensive solutions from EFEN ensure maximum safety in all areas of power supply, infrastructure and industry.



### Smart Control

Higher energy efficiency reduces peak loads and lowers energy costs. Early-warning systems reduce minimal unplanned plant downtimes to the minimum. Smart solutions from EFEN ensure reliable communication and maximum availability of power distribution systems.

**EFEN GmbH**  
Große Hub 10c  
65344 Eltville, Germany  
Tel. + 49 (0) 6123 7045-0  
Fax + 49 (0) 6123 7045-122  
e-Mail: mail@efen.com  
www.efen.com

**Slovakia**  
EFEN Slovakia s.r.o  
Odborárska 3  
831 02 Bratislava  
Slovensko/Slovakia  
Tel. 00421 55 633 9898  
Fax 00421 55 633 9898  
e-Mail: efen@efen.sk

**Logistic - Center**  
EFEN GmbH  
Gewerbepark Nord 6  
04938 Uebigau  
Germany  
Tel. +49 35365 893 0  
Fax +49 35365 893 35  
e-Mail: efen@efen.com

**Hungary**  
EFEN Division  
Guba Sándor u. 87  
7400 Kaposvár  
Hungary  
Tel. +36-82-417559  
Fax +36-82-417529  
e-Mail: info@efen-hungaria.hu

**Austria**  
EFEN GmbH  
Prinzgasse 1/29/9  
1220 Wien  
Austria  
Tel.: +43 (0) 676-9768-100  
Fax: +43 12533033 3366  
e-Mail: suchacek@efen.com

**China**  
EFEN Shanghai Office  
800 Shangchen Rd (1090 New Century Ave)  
Room 517 CIMIC Building Shanghai 200120  
China  
Tel. +86 21 6575-8878  
Fax +86 21 6575-8876  
e-Mail: efen@efen.com.cn

**Poland**  
EFEN sp. z o.o.  
Aleja Młodych 26-28  
41-106 Siemianowice Śląskie  
Poland  
Tel. +48 32 220 00 63  
Fax +48 32 220 00 64  
e-Mail: efen@efen.com.pl  
e-Mail: export@efen.com.pl  
www.efen.com.pl

